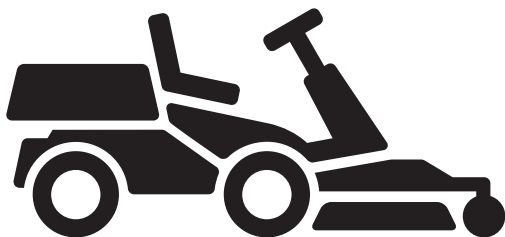




Husqvarna®



R 214C

EN	Operator's manual	2-31
ES	Manual de usuario	32-63
PT	Manual do utilizador	64-95
IT	Manuale dell'operatore	96-127

Contents

Introduction.....	2	Troubleshooting.....	25
Safety.....	6	Transportation, storage and disposal.....	26
Assembly.....	10	Technical data.....	28
Operation.....	12	Service.....	30
Maintenance.....	15	EC Declaration of Conformity.....	31

Introduction

Pre-delivery inspection and product numbers

Note: A pre-delivery inspection has been done of this product. Make sure that you receive a signed copy of the pre-delivery inspection document from your dealer.

Service agent contact information:	
This operator's manual belongs to product with product number / serial number:	
/	
Engine:	
Transmission:	

Product description

The product is a ride-on lawn mower. Forward and reverse pedals let the operator adjust the speed steplessly. The product is used with a 2-in-1 cutting deck with mulch plug.

Intended use

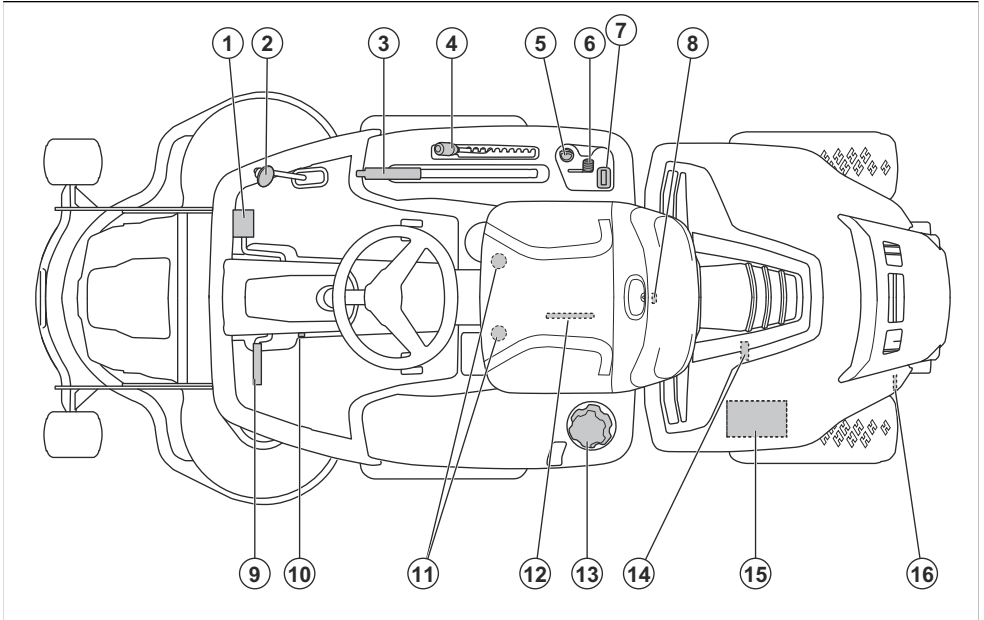
The product is made to cut grass on open and level ground in residential areas and gardens. Attach an

optional accessory to use the product for other tasks. Speak to your Husqvarna dealer for more information about which accessories that are available.

Insure your product

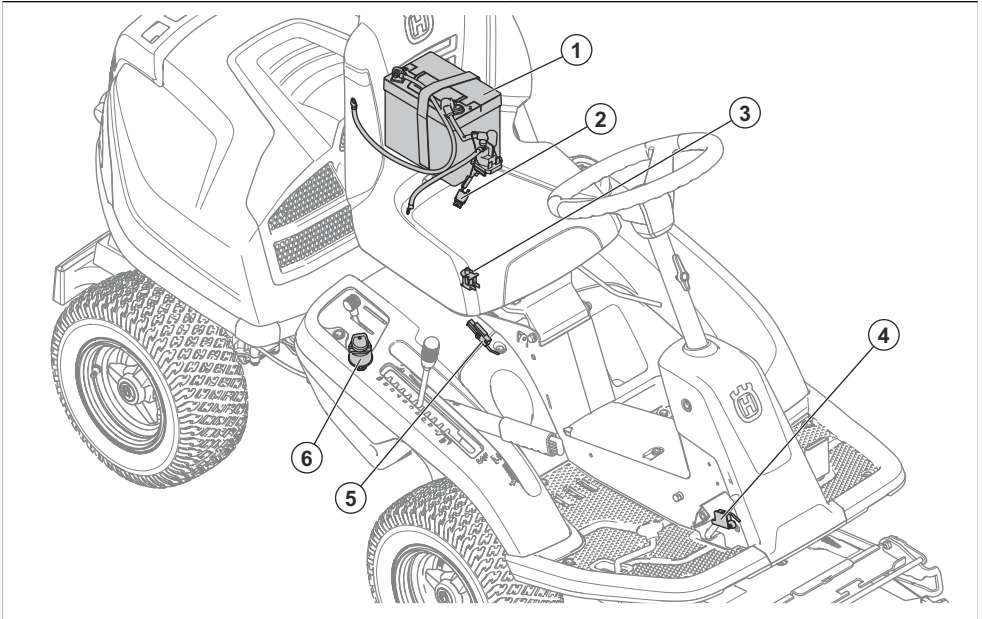
Make sure that you have insurance coverage for your new product. Speak to your insurance company if you are not sure. We recommend a fully comprehensive insurance that includes third party, fire, damage, theft and liability.

Product overview



1. Forward pedal
2. Rearward pedal
3. Lift lever for the cutting deck
4. Cutting height lever
5. Ignition lock
6. Throttle control
7. Hour meter
8. Engine cover lock
9. Parking brake pedal
10. Lock button for parking brake
11. Seat adjustment
12. Type plate with scannable codes
13. Fuel tank cap
14. Oil drain plug
15. Battery
16. Lever to engage or disengage the drive

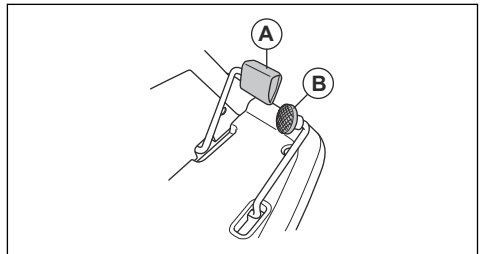
Electrical system overview



1. Battery
2. Main fuse
3. Operator presence control (OPC)
4. Micro switch, parking brake
5. Safety switch for the lift lever
6. Ignition lock

Forward and rearward pedals

The speed is gradually adjusted with 2 pedals. The left pedal (A) is used to move forward, and the right pedal (B) is used to move rearward. The product stops when the pedals are released.



Cutting deck

The cutting decks for this product are Combi cutting decks with BioClip. BioClip cuts the grass into fertilizer. The Combi cutting decks can also be used without BioClip. Without BioClip the grass is ejected to the rear.

Symbols on the product



WARNING: Careless or incorrect use can result in serious injury or death to the operator or others.

Husqvarna Connect

The operators manual and more information about the product is available at Husqvarna Connect App. Husqvarna Connect is a free App for your mobile device. Refer to *To start to use Husqvarna Connect on page 12*.

Operator Presence Control (OPC)

The OPC engages when the operator lifts from the seat. The engine and the drive to the blades stop if the blades are engaged or the parking brake is not applied. Refer to *Start conditions on page 8*.

Hour meter

The hour meter shows how many hours the engine has run. The time with ignition on but engine off is not registered. The last digit shows tenths of an hour (6 minutes).



Read the operator's manual carefully and make sure that you understand the instructions before use.



Rotating blades. Keep body parts away.



Warning: rotating parts. Keep body parts away.



Look out for ejecting objects and ricochets.



Never use the product if persons, especially children, or animals, are in the vicinity.



Look behind you before and while you move the product in reverse.



Never cut grass across a slope. Do not cut grass on ground that slopes more than 10°. Refer to *To cut grass on slopes on page 9.*



Never carry passengers on the product or equipment.



Move forward.

N

Neutral gear.



Move rearward.



Parking brake.



This product is in accordance with applicable EC directives.



Noise emission to the environment according to the European Community's Directive. The product's emission is specified in the Technical data chapter and on the label.



Always use approved hearing protection.



Stop the engine.

START

Start the engine.



Engine speed – fast.



Engine speed – slow.



Fuel.



Max. ethanol 10%.



Cutting height.



The service position for the cutting height lever.



The blades are engaged.



The blades are disengaged.



Transport position for the cutting deck.



Operation position for the cutting deck.



Engage and disengage the drive system.



Oil level.



Scannable code

yyyywwxxxx

The rating plate shows serial number. **yyyy** is the production year and **ww** is the production week.

Note: Other symbols/decals on the product refer to certification requirements for some commercial areas.

Euro V Emissions



WARNING: Tampering with the engine voids the EU type-approval of this product.

Safety

Safety definitions

Warnings, cautions and notes are used to point out specially important parts of the manual.



WARNING: Used if there is a risk of injury or death for the operator or bystanders if the instructions in the manual are not obeyed.



CAUTION: Used if there is a risk of damage to the product, other materials or the adjacent area if the instructions in the manual are not obeyed.

Note: Used to give more information that is necessary in a given situation.

General safety instructions



WARNING: This product can cut off hands and feet and throw objects. Serious injury or death may occur if you do not obey the safety instructions.



WARNING: Do not continue to use a product with damaged cutting equipment. Damaged cutting equipment can throw objects and cause serious injury or death. Replace damaged blades immediately.

Product liability

As referred to in the product liability laws, we are not liable for damages that our product causes if:

- the product is incorrectly repaired.
- the product is repaired with parts that are not from the manufacturer or not approved by the manufacturer.
- the product has an accessory that is not from the manufacturer or not approved by the manufacturer.
- the product is not repaired at an approved service center or by an approved authority.

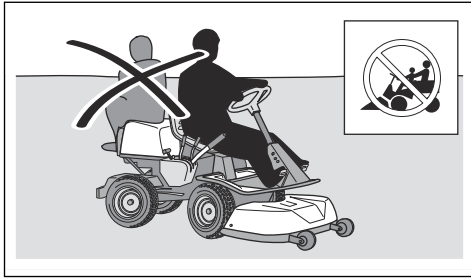


WARNING: This product produces an electromagnetic field during operation. This field may under some circumstances interfere with active or passive medical implants. To reduce the risk of serious or fatal injury we recommend persons with medical implants to consult their physician and the medical implant manufacturer before operating this product.

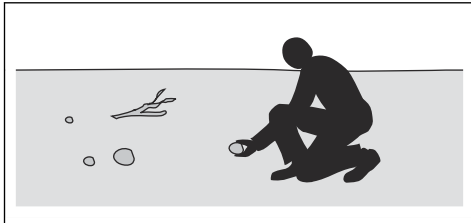


WARNING: Read the warning instructions that follow before you use the product.

- Always be careful and use your common sense. Avoid all situations which you consider to be beyond your capability. If you feel uncertainty about the operating procedures after you read the operator's manual, consult an expert before you continue.
- Read and understand the operator's manual and the instructions on the product carefully before you start the product.
- Learn how to use the product and its controls safely and learn how to stop the product quickly.
- Learn to recognize the safety decals.
- Keep the product clean to make sure that you can clearly read signs and stickers.
- Keep in mind that the operator will be held responsible for accidents that involve other persons or their property.
- Do not transport passengers. The product must only be used by one person.



- Do not let the product stay unsupervised with the engine on. Always stop the blades, apply the parking brake, stop the engine and remove the ignition key before you let the product stay unsupervised.
- Only use the product in daylight or in other well-lit conditions. Keep the product at a safe distance from holes or other irregularities in the ground. Look out for other possible risks.
- Do not use the product in bad weather, for example in fog, in rain, moist or in wet locations, strong winds, intense cold, risk of lightning, etc.
- Find and mark stones and other fixed objects to prevent collision.
- Clear the area of objects such as stones, toys, wires, etc. that may become caught in the blades and be thrown out.



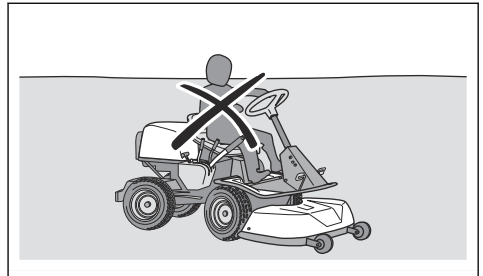
- Do not let children or other persons not approved for operation of the product to use or do servicing on it. Local laws may regulate the age of the user.
- Make sure that nobody else is in the vicinity of the product when you start the engine, engage the drive or start to move the product.
- Keep an eye on the traffic when you mow near a road or move across a road.
- Do not use the product if you are fatigued, while under the influence of alcohol or drugs, medicine or anything that can have a negative effect on your vision, alertness, coordination or judgement.
- Always park the product on a level surface with the engine stopped.

Safety instructions regarding children



WARNING: Read the warning instructions that follow before you use the product.

- Serious accidents can occur if you are not on your guard for children in the vicinity of the product. Children can be attracted to the product and to mowing. It is very possible that children do not stay where you last saw them.
- Keep children away from the area to be mowed. Make sure that an adult is responsible for the children.
- Keep an eye out and stop the product if children enter the work area. Be very careful near corners, bushes, trees or other objects that prevents a clear view.
- Before and while you move the product in reverse, look behind you and look down to make sure there are no small children in the vicinity of the product.
- Do not let children ride along. They can fall off and get seriously injured or prevent safe maneuvering of the product.
- Do not let children operate the product.



Safety instructions for operation



WARNING: Do not touch the engine or exhaust system during or directly after operation. The engine and the exhaust system become very hot during operation. Risk of burn injuries, fire and damage to property or adjacent areas. When you operate the product, keep away from bushes and other objects.



WARNING: Read the warning instructions that follow before you use the product.

- Always look down and behind you before and while you move in reverse. Look out for large and small obstacles.
- Decrease the speed before you turn around a corner.
- Stop the blades when you move across areas that you do not cut.



CAUTION: Read the caution instructions that follow before you use the product.

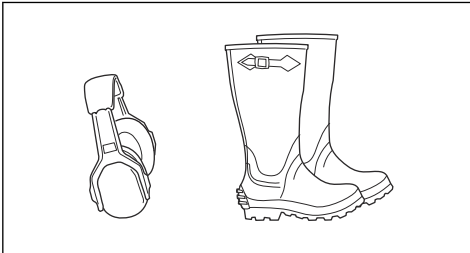
- Before you operate the product, clear the cold air intake of the engine from grass and dirt. If the cold air intake is blocked, there is a risk of engine damage.
- Move around stones and other larger objects carefully and make sure that the blades do not hit the objects.
- Do not operate the product across objects. Stop and examine the product and cutting deck if you operate the product across or into an object. If it is necessary, make repairs before you restart.

Personal protective equipment



WARNING: Read the warning instructions that follow before you use the product.

- Use approved personal protective equipment when you use the product. Personal protective equipment cannot fully prevent injury but it decreases the degree of injury if an accident does occur. Let your dealer help you select the right equipment.
- Always wear approved hearing protection. Long term exposure to noise can result in permanent hearing impairment.
- Always wear protective shoes or protective boots. Steel toes are recommended. Do not use the product barefoot.



- Wear gloves when necessary, for example when you attach, examine or clean the cutting equipment.
- Do not wear loose-fitting clothing, jewelry or other items that can get caught in moving parts.
- Keep first aid equipment and fire extinguisher close at hand.

Safety devices on the product



WARNING: Read the warning instructions that follow before you use the product.

- Do not use a product with defective safety devices. Do a check of the safety devices regularly. If the safety devices are defective, speak to your Husqvarna service agent.
- Do not make modifications on safety devices. Do not use the product if protective plates, protective

covers, safety switches or other protective devices are not attached or are defective.

To do a check of the ignition lock

- Start and stop the engine to do a check of the ignition lock. See *To start the engine on page 13* and *To stop the engine on page 14*.
- Make sure that the engine starts when you turn the ignition key to START.
- Make sure that the engine stops immediately when you turn the ignition key to STOP.

Start conditions

These conditions are necessary to start the engine:

- The cutting deck is lifted and the parking brake is applied.

The engine must stop in these situations:

- The cutting deck is lowered and the operator lifts from the seat.
- The cutting deck is lifted, the parking brake is not applied and the operator lifts from the seat.

Try to start the engine without one of the conditions. Change the conditions and try again. Do this check daily.

To do a check of the forward pedal and rearward pedal

1. Make sure that the forward and rearward pedals are not blocked and can be operated freely.
2. Release the forward pedal to brake.
3. Make sure that the product brakes when the forward pedal is released.
4. For more brake power, push the rearward pedal.
5. Do the same procedure for the rearward pedal.

Parking brake



WARNING: If the parking brake does not work, the product can start to move and cause injury or damage. Make sure that the parking brake is regularly examined and adjusted.

Refer to *To do a check of the parking brake on page 18*.

Muffler

The muffler keeps the noise levels to a minimum and sends the exhaust fumes away from the operator.

Do not use the product if the muffler is missing or defective. A defective muffler increases the noise level and the risk of fire.



WARNING: The muffler becomes very hot during and after use and when the engine operates at idle speed. Be careful near flammable materials and/or fumes to prevent fire.

To do a check of the muffler

- Examine the muffler regularly to make sure that it is attached correctly and not damaged.

Protective covers

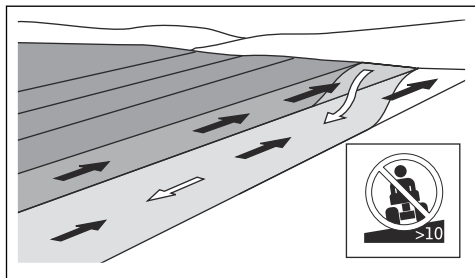
Missing or damaged protective covers increase the risk of injury on moving parts and hot surfaces. Do a check of the protective covers before you operate the product. Make sure that the protective covers are correctly attached and do not have cracks or other damages. Replace damaged covers.

To cut grass on slopes



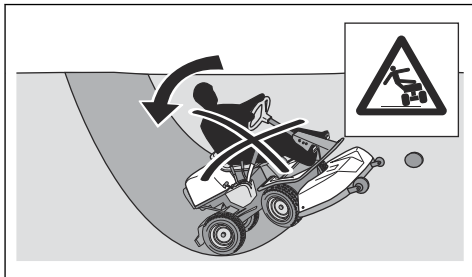
WARNING: Read the warning instructions that follow before you use the product.

- To cut grass on slopes increases the risk that you can not control the product and that it overturns. This can cause injury or death. It is necessary to cut the grass carefully on all slopes. If you cannot reverse up a slope or if you do not feel safe, do not cut it.
- Remove stones, branches and other obstacles.
- Cut up and down the slope, not from side to side.
- Do not move down a slope with the cutting deck lifted.
- Do not operate the product on ground that slopes more than 10°.



- Do not start or stop on a slope.
- Move smoothly and slowly on slopes.
- Do not make sudden changes in speed or direction.
- Do not turn more than necessary. Turn slowly and gradually when you move down a slope. Move at low speed. Turn the wheel carefully.
- Look out for and do not move across furrows, holes and bumps. There is a higher risk that the product overturns on ground that is not flat. Long grass can hide obstacles.

- Do not cut grass near edges, ditches or banks. The product can suddenly overturn if a wheel moves across the edge of a steep slope or a ditch, or if an edge gives way. If the product falls into water, there is a risk of drowning.



- Do not mow wet grass. It is slippery, and tires can lose their grip so that the product skids.
- Do not put your foot on the ground to try to make the product more stable.
- Move very carefully if an accessory or other object is attached that can make the product less stable.
- To increase stability, attach wheel weights. Speak to your dealer for more information.

Fuel safety



WARNING: Be careful with fuel. It is very flammable, and can cause injury and damage to property.



WARNING: Read the warning instructions that follow before you use the product.

- Do not fill the fuel tank indoors.
- Gasoline and gasoline fumes are poisonous and very flammable. Be careful with gasoline to prevent injury or fire.
- Do not remove the fuel tank cap or fill the fuel tank when the engine is on.
- Let the engine become cool before you refuel.
- Do not smoke when you fill fuel.
- Do not fill fuel near sparks or naked flames.
- If there are leaks in the fuel system, do not start the engine until the leaks are repaired.
- Do not fill above recommended fuel level. The heat from the engine and the sun makes the fuel expand and the fuel overflows if the tank is filled too much.
- Do not fill too much. If you spill fuel on the product, clean up the spill and wait until it is dry before you start the engine. If you spill on your clothing, change it.
- Store fuel in approved containers only.
- Store the product and fuel in such a way that there is no risk that fuel leaks or fumes can cause damage.

- Drain off the fuel in an approved container outdoors and away from naked flames.

Battery safety



WARNING: A damaged battery can cause an explosion and cause injury. If the battery has a deformation or is damaged, speak to an approved Husqvarna service agent.



WARNING: Read the warning instructions that follow before you use the product.

- Use protective glasses when you are near batteries.
- Do not wear watches, jewelry or other metal objects near the battery.
- Keep the battery out of reach for children.
- Charge the battery in a space with good airflow.
- Keep flammable materials at a minimum clearance of 1 m when you charge the battery.
- Discard replaced batteries. See *Disposal on page 27*.
- Explosive gases can come from the battery. Do not smoke near the battery. Keep the battery away from open flames and sparks.

Safety instructions for maintenance



WARNING: The product is heavy and can cause injury or damage to property or the adjacent area. Do not do maintenance on the engine or the cutting deck without these conditions:

- The engine is off.
- The product is parked on a level surface.
- The parking brake is applied.
- The ignition key is removed.
- The cutting deck is disengaged.
- The ignition cables are removed from the plugs.



WARNING: The exhaust fumes from the engine contain carbon monoxide, an odourless, poisonous and very dangerous gas. Do not run the product in closed spaces or spaces with not sufficient air flow.



WARNING: Read the warning instructions that follow before you use the product.

- For best performance and safety, do maintenance on the product regularly as given in the maintenance schedule. See *Maintenance schedule on page 15*.
- Electrical shocks can cause injuries. Do not touch the cables when the engine is on. Do not do a function test on the ignition system with your fingers.
- Do not start the engine if the protective covers are removed. There is a high risk of injury caused by moving or hot parts.
- Let the product become cool before you do maintenance near the engine.
- The blades are sharp and can cause cuts. Wind protection around the blades or use protective gloves when you do work on the blades.
- Always put the cutting deck in servicing position to clean it. Do not park the product near the edge of a ditch or slope to get access to the cutting deck.



CAUTION: Read the caution instructions that follow before you use the product.

- Do not turn over the engine if the spark plug or ignition cable is removed.
- Make sure that all nuts and bolts are tightened correctly and that the equipment is in good condition.
- Do not change the adjustment of governors. If the engine speed is too high, the product components can become damaged. See *Technical data on page 28* for highest permitted engine speed.
- The product is approved only with the equipment supplied or recommended by the manufacturer.

Assembly

Introduction



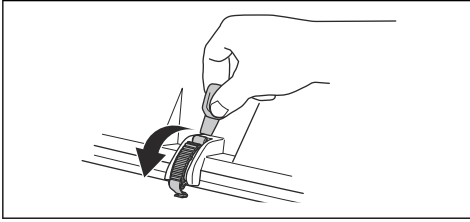
WARNING: The drive belt tension spring can break and cause injury. Wear protective glasses when you attach or remove the cutting deck.

Read the assembly instructions in the owner's manual carefully. A label on the inner side of the front cover on the product, also shows how to attach and remove the cutting deck.

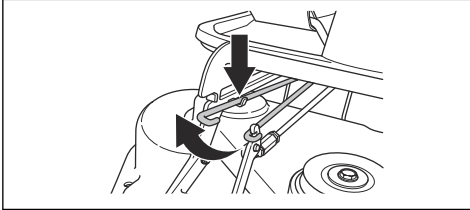
To remove and attach the cutting deck

1. Park the product on level ground.
2. Apply the parking brake.
3. Set the cutting height lever in the servicing position.

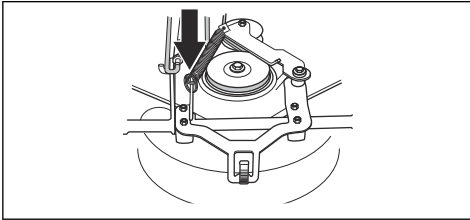
4. Release the clip on the front cover with the tool attached to the ignition key, and remove the cover.



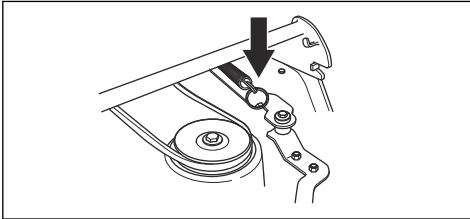
5. Lift the cutting height stay and put it in the holder for the cutting height stay.



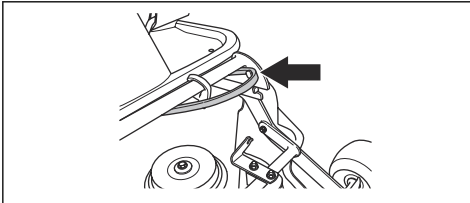
6. Pull the spring eye to loosen the spring for the drive belt tension.



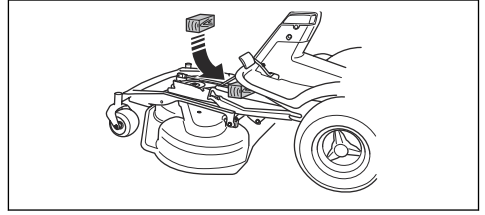
7. Put the spring eye in the holder on the tension arm for the drive belt.



8. Remove the drive belt and put it in the belt holder.

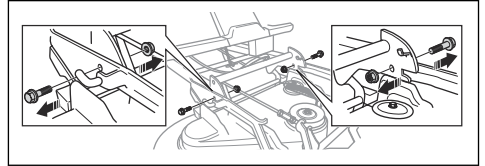


9. Put a wooden block between the equipment frame and the chassis. This makes sure that the cutting deck does not spring back when removed.

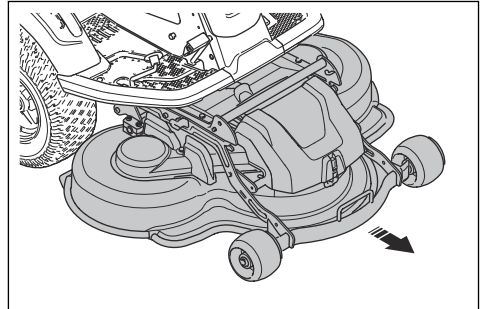


WARNING: Be careful. Risk of injury if your hand is caught between the equipment frame and the chassis.

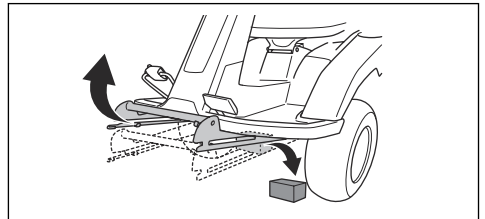
10. Remove the 2 screws on the equipment frame.



11. Hold the front edge of the cutting deck with two hands and pull it out.



12. Remove the wooden block.



13. Attach the cutting deck in opposite sequence.

Operation

Introduction



WARNING: Before you operate the product, you must read and understand the safety chapter.

To start to use Husqvarna Connect

1. Download the Husqvarna Connect app on your mobile device.
2. Register in the Husqvarna Connect app.
3. Do the instruction steps in the Husqvarna Connect app to connect and register the product.

To fill fuel



WARNING: Gasoline is very flammable. Be careful and refuel outdoors, refer to *Fuel safety on page 9*.



WARNING: Do not use the fuel tank as a support area.



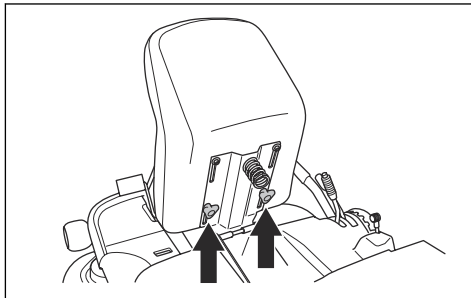
CAUTION: Incorrect type of fuel can result in engine damage.

The engine runs on gasoline with a minimum octane rating of 91 RON (87 AKI), not mixed with oil. We recommend biodegradable alkylate gasoline. Do not use gasoline that contains more than 10% ethanol.

- Do a check of the fuel level before each use and refuel if it is necessary.
- Do not fully fill the fuel tank. Keep a space of a minimum 2.5 cm.

To adjust the seat

The seat can be tilted forward. It can also be adjusted lengthways. Loosen the handles below the seat to adjust it forward or rearward.

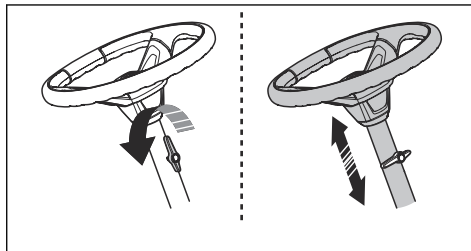


To adjust height of the steering wheel



WARNING: Do not adjust the height of the steering wheel during operation of the product.

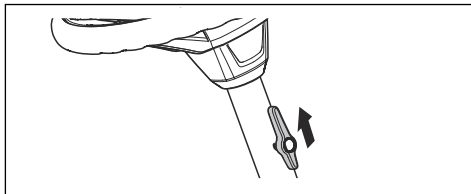
1. Turn the knob counterclockwise to loosen.



2. Adjust the height of the steering wheel.
3. Turn the knob clockwise to tighten.



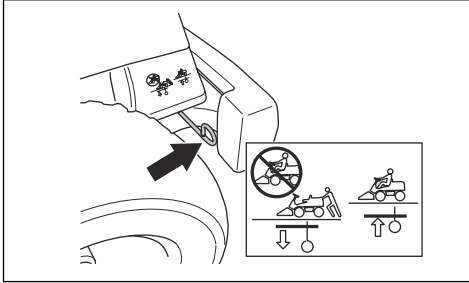
CAUTION: Make sure that the long end of the knob points up.



To engage and disengage the drive system

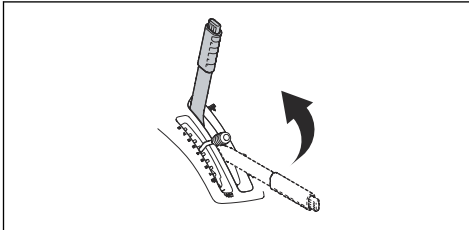
To move the product with the engine off, the drive system must be disengaged. Pull out the drive system lever fully to disengage the drive on the axle. Push the drive system lever in fully to engage the drive on the axle. Do not use middle positions.

The drive system lever is found behind the left rear wheel.

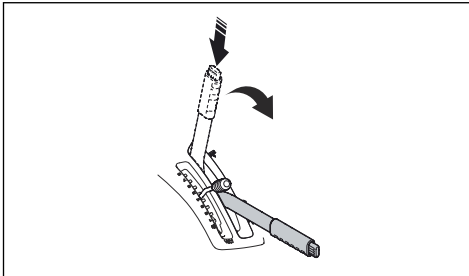


To lift and lower the cutting deck

To lift the cutting deck to transport position, pull the lift lever rearward. If the engine is on, the blades stop to rotate automatically.

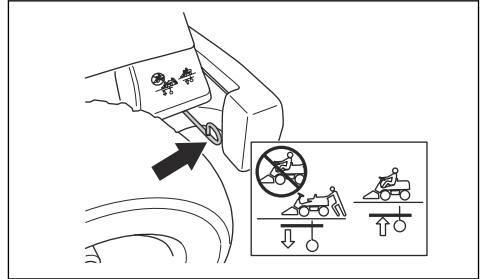


To lower the cutting deck to mowing position, press the lock button and move the lift lever forward. If the engine is running, the blades start to rotate automatically.

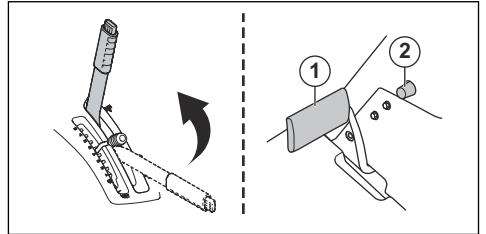


To start the engine

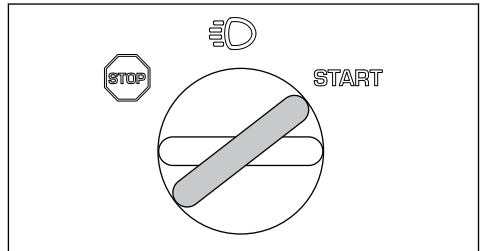
1. Make sure that the drive system is engaged, see *To engage and disengage the drive system on page 13.*



2. Lift up the cutting deck and apply the parking brake.

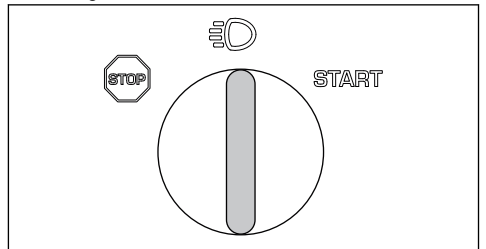


3. Turn the ignition key to the start position.
4. When the engine starts, immediately release the ignition key to neutral position.

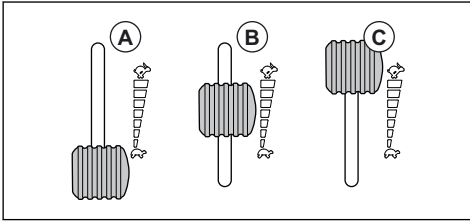


Note: Do not run the starter for more than 5 seconds at a time. If the engine does not start, wait 15 seconds before you try again.

5. Turn the key to the lights position to make the headlights come on.



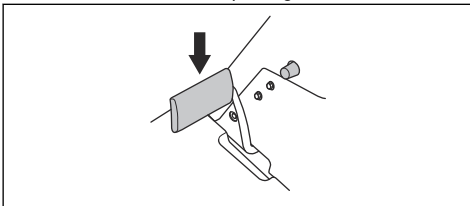
- Let the engine run at half throttle (B) for 3-5 minutes before you apply heavy load.
- Push the throttle control to full throttle position (C).



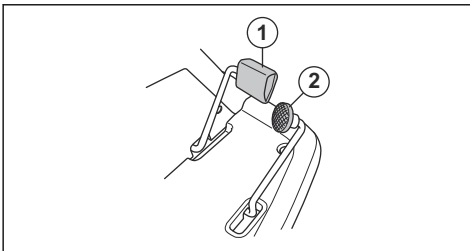
Note: To engage the blades when the engine is at full speed causes strain on the drive belts. Do not apply full throttle until the cutting deck has been lowered to the mow position.

To operate the product

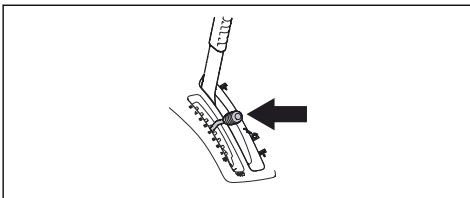
- Start the engine.
- Press the parking brake pedal down and then release it to release the parking brake.



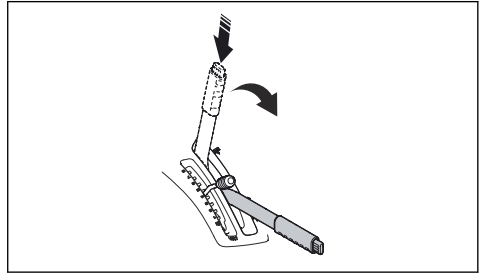
- Carefully press down one of the speed pedals. The speed increases the more the pedal is pressed down. Use pedal (1) to move forward, and pedal (2) to reverse.



- Release the pedal to brake.
- Select cutting height (1-10) with the cutting height lever.

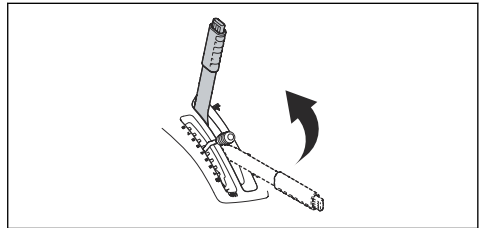


- Press the lock button on the lift lever for the cutting deck and lower it to mow position.

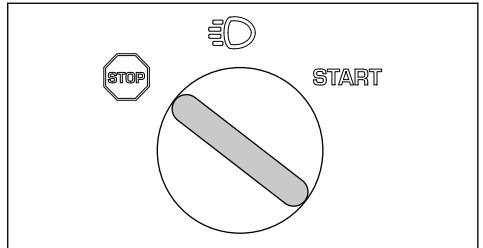


To stop the engine

- Pull the lift lever for the cutting deck rearward to its locked position to lift up the cutting deck. The blades stop to rotate.



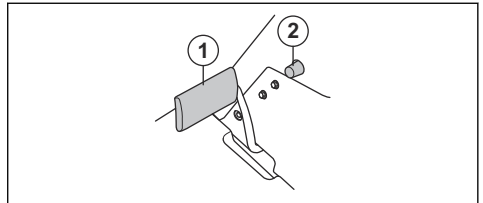
- Turn the ignition key to the STOP position.



- When the product stops, apply the parking brake.

To apply and release the parking brake

- Press the parking brake pedal down (1).
- Press and hold the lock button (2).



- Keep the button pressed and release the parking brake pedal.

4. To release the parking brake, press the parking brake pedal again.

To get a good cutting result

- For best performance, do maintenance on the product regularly as given in the maintenance schedule. Refer to *Maintenance schedule on page 15*.
- Do not cut a wet lawn. Wet grass can give a bad cutting result.
- Start with a high cutting height and decrease it gradually.
- Cut with blades that rotate at high speed (highest permitted engine speed, refer to *Technical data on page 28*). Move the product forward at low speed. If the grass is not too high and thick, you can get a good cutting result also at a higher speed.
- Cut the grass in an irregular pattern.
- To get the best cutting result, cut the grass frequently and use the Bioclip® function.

Maintenance

Introduction



WARNING: Before you do any maintenance work you must read and understand the safety chapter.

X = The instructions are given in this operator's manual.

O = The instructions are not given in this operator's manual. Let an approved service agent do the maintenance.

Maintenance schedule

* = General maintenance done by the operator. The instructions are not given in this operator's manual.

Note: If more than one time interval is identified in the table, the shortest time interval is for the first maintenance only.

Maintenance	Daily maintenance before operation	Maintenance interval in hours		
		25	50	100
Make sure that nuts and screws are tightened	*			
Make sure that there are no fuel or oil leaks	*			
Clean as given in <i>To clean the product on page 16</i>	X			
Clean the inner surface of the cutting deck, around the blades	X			
Clean around the muffler	X			
Make sure that the cold air intake of the engine is not blocked	X			
Make sure that the safety devices are not defective	X			
Examine and do a test of the brakes	*			
Do a check of the engine oil level	X			
Do a check of the oil level in the transmission	X			
Do a check of the steering wires	X			
Examine the blades in the cutting deck		X		
Clean the cutting deck, below the belt covers and below the cutting deck		X	X	
Make sure that the tire pressure is correct		X	X	
Do a check of the parking brake			X	
Replace the engine oil			X	X
Replace the oil filter			X	X

Maintenance	Daily maintenance before operation	Maintenance interval in hours		
		25	50	100
Clean the air filter		X		
Replace the air filter				X
Replace the fuel filter				X
Replace the spark plug				X
Do a check of the parallelism of the cutting deck		X	X	
Lubricate the belt adjuster.		X	X	
Lubricate according to the lubrication overview		O	O	
Lubricate all joints and shafts.		O	O	
Examine and adjust the steering wires		O	O	
Examine the muffler and heat deflector		O	O	
Examine the cutting deck for damages			O	
Adjust the parking brake.			O	
Do a check of and adjust the throttle wire			O	
Clean the cooling fins on the engine and the transmission			O	
Clean the engine and the transmission			O	O
Do a check of the belts		O	O	
Do a check of the battery	*		O	
Do a check of the fuel hose. Replace it if necessary				O
Replace the oil in the transmission			O	O
Replace the filter in the transmission			O	O

To clean the product

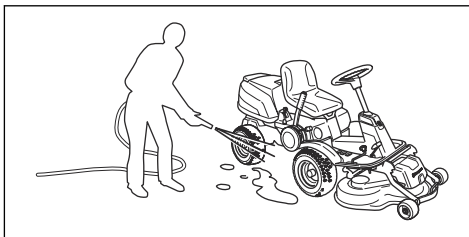


CAUTION: Do not use a high-pressure washer or a steam cleaner. Water can go into bearings and electrical connections and cause corrosion which causes damage to the product.

Clean the product immediately after use.

- Do not clean hot surfaces such as the engine, muffler and exhaust system. Wait until the surfaces are cool, then remove the grass or dirt.
- Before you clean with water, clean with a brush. Remove grass cuttings and dirt on and around the transmission, the transmission air intake, and the engine.
- Use running water from a hose to clean the product. Do not use high pressure.

- Do not point the water at electrical components or bearings. Detergent usually increases the damage.
- To clean the cutting deck, put it in the servicing position and clean it with a water hose.
- When the product is clean, start the cutting deck for a short period to blow off remaining water.



To clean the engine and the muffler

Keep the engine and muffler free from grass cuttings and dirt. Grass cuttings soaked in fuel or oil on the engine can increase the fire risk and the risk that the engine becomes too hot. Let the engine cool before it is cleaned. Clean with water and a brush.

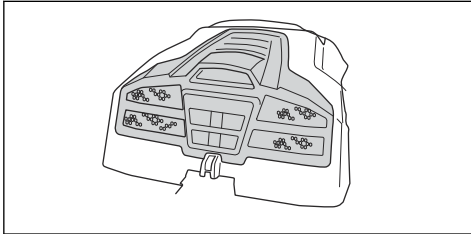
Grass cuttings around the muffler dry quickly and are a fire risk. Use a brush or remove the grass cuttings with water when the muffler is cold.

To clean the cold air intake of the engine

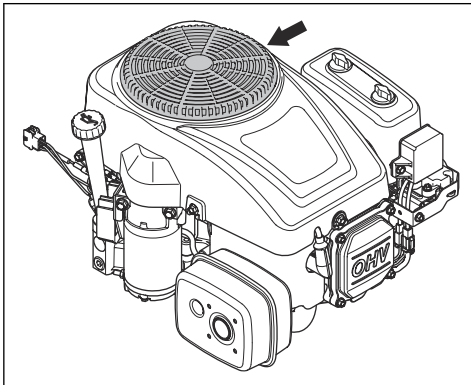


WARNING: Stop the engine. The cold air intake rotates and can cause injury to your fingers.

- Make sure that the intake grille on the engine cover is not blocked. Remove grass and dirt with a brush.



- Open the engine cover. Make sure that the engine cold air intake is not blocked. Remove grass and dirt with a brush.



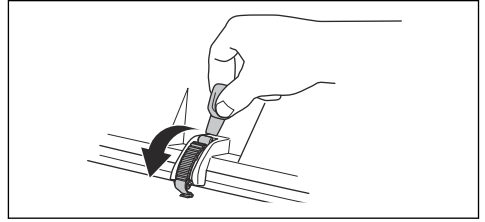
- Examine the air duct, found on the inner surface of the engine cover. Make sure that the air duct is clean and does not rub against the cold air intake.

To remove the covers

To open the engine cover

1. Fold the seat forward.

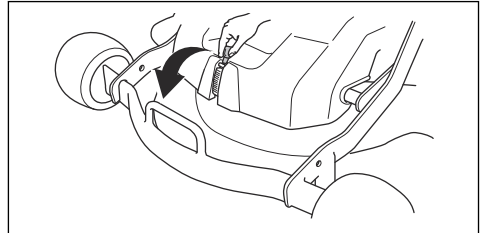
2. Release the clip on the engine cover with the tool attached to the ignition key.



3. Fold the engine cover rearward.

To remove the front cover

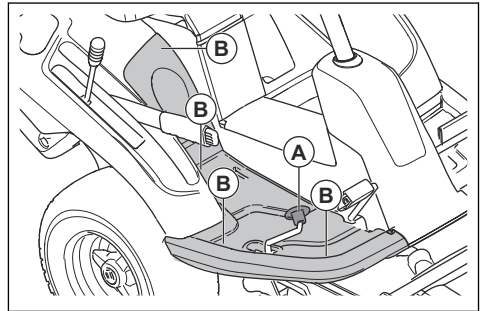
1. Release the clip on the front cover with the tool attached to the ignition key.



2. Lift off the front cover.

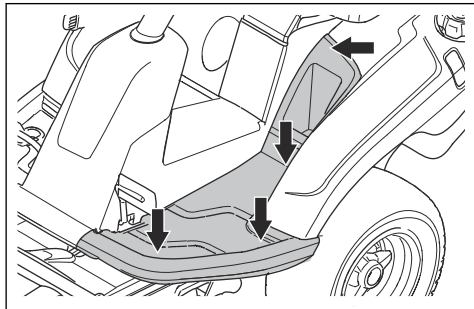
To remove the right footrest plate

1. Turn the knob on the reverse pedal (A) to remove it.
2. Remove the 4 screws (B) and remove the footrest plate.



To remove the left footrest plate

- Remove the 4 screws and remove the footrest plate.

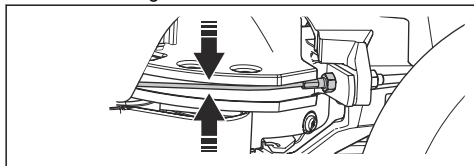


To examine the steering wires

The tension of the steering wires can decrease after a period of time. This causes the adjustment of the steering to change.

Examine and adjust the steering as follows:

- The steering wires are correctly tightened if you can manually move them 5 mm up or down in the groove on the steering collar.



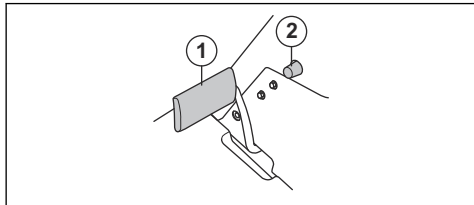
- If the wires are too loose, let an authorized service agent adjust them.

To do a check of the parking brake

- Park the product on a hard surface that slopes.

Note: Do not park the product on a grass slope when you do a check of the parking brake.

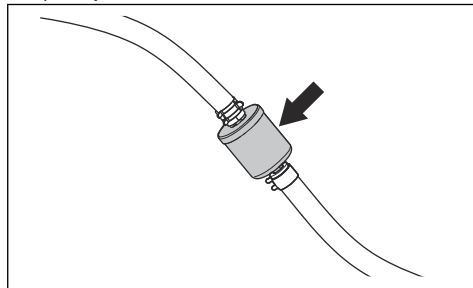
- Press the parking brake pedal down (1).
- Press and hold the lock button (2) and release the parking brake pedal while the button is pressed.



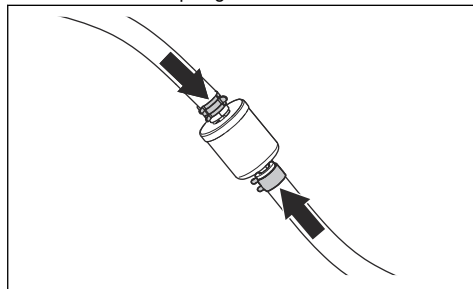
- If the product starts to move, let an approved service agent adjust the parking brake.
- Press the parking brake pedal again to release the parking brake.

To replace the fuel filter

- Open the engine cover to get access to the fuel filter.
- Compress the fuel tank hose to prevent leakage.
- Move the hose clips away from the fuel filter with a pair of flat pliers.
- Pull off the fuel filter from the hose ends. A small quantity of fuel can leak.

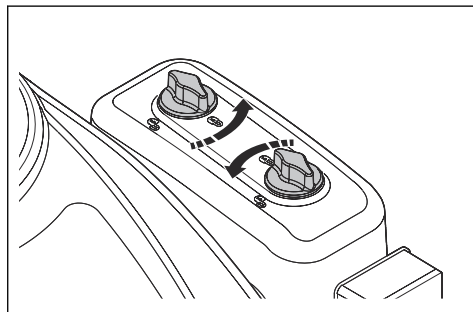


- Push the new fuel filter into the ends of the hoses. Apply liquid detergent to the ends of the fuel filter to make the connection easier.
- Push the hose clips against the fuel filter.

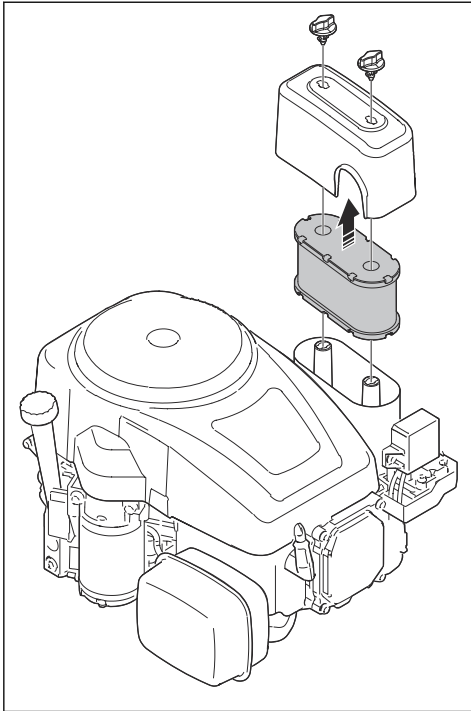


To replace the air filter

- Open the engine cover.
- Loosen the knobs that hold the air filter cover and remove the cover.



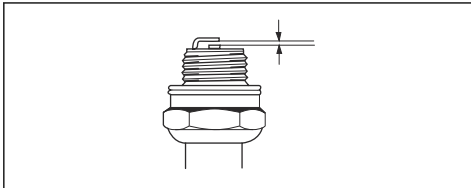
- Remove the air filter cartridge from the filter housing.



- Install in the opposite sequence.

To examine and replace a spark plug

- Open the engine cover.
- Remove the ignition cable shoe and clean around the spark plug.
- Remove the spark plug with a spark plug wrench.
- Examine the spark plug. Replace it if the electrodes are burned or if the insulation has cracks or damages. If the spark plug is not damaged, clean it with a steel brush.
- Measure the electrode gap and make sure that it is correct. Refer to *Technical data on page 28*.



- Bend the side electrode to adjust the electrode gap.
- Put the spark plug back in and turn it by hand until it touches the spark plug seat.

- Tighten the spark plug with the spark plug wrench until the washer is compressed.
- Tighten a used spark plug $\frac{1}{4}$ of a turn more, and a new spark plug $\frac{1}{4}$ turn more.



CAUTION: Spark plugs that are not tightened correctly can cause damage to the engine.

- Replace the ignition cable shoe.

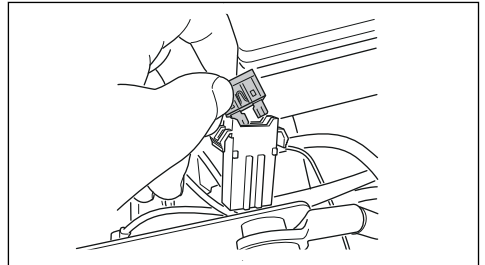


CAUTION: Do not try to start the engine if the spark plug or ignition cable is removed.

To replace the main fuse

A blown fuse is identified by a burned connector.

- Open the engine cover. The main fuse is in a holder in front of the battery.
- Pull the fuse from the holder.



- Replace the blown fuse with a new fuse of the same type, flat pin 15 A.
- Replace the covers.

If the main fuse blows again a short period after you replace it, there is a short circuit. Repair the short circuit before you operate the product again. Let an approved service agent help you.

To charge the battery

- Charge the battery if it is too weak to start the engine.
- Use a standard battery charger.



CAUTION: Do not use a boost charger or start booster. That will cause damage to the electrical system of the product.

- Always disconnect the charger before starting the engine.

To do an emergency start of the engine

If the battery is too weak to start the engine, you can use jumper cables to do an emergency start. This product has a 12 V system with negative ground. The product

that is used for the emergency start must also have a 12 V system with negative ground.

To connect the jumper cables

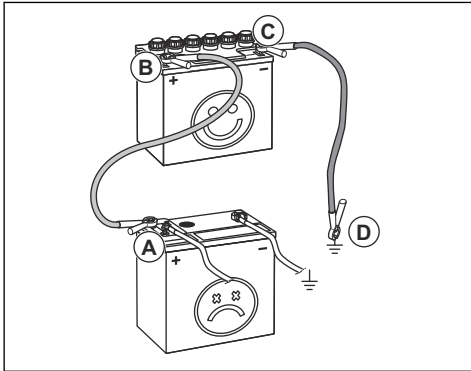


WARNING: Risk of explosion because of explosive gas that comes from the battery. Do not connect the negative terminal of the fully charged battery to or near the negative terminal of the weak battery.



CAUTION: Do not use the battery of your product to start other vehicles.

1. Remove the engine cover.
2. Remove the cover for the battery case.
3. Connect one end of the red cable to the POSITIVE battery terminal (+) on the weak battery (A).



4. Connect the other end of the red cable to the POSITIVE battery terminal (+) on the fully charged battery (B).



WARNING: Do not short circuit the ends of the red cable against the chassis.

5. Connect one end of the black cable to the NEGATIVE battery terminal (-) on the fully charged battery (C).
6. Connect the other end of the black cable to a CHASSIS GROUND (D), away from the fuel tank and the battery.
7. Replace the covers.

To remove the jumper cables

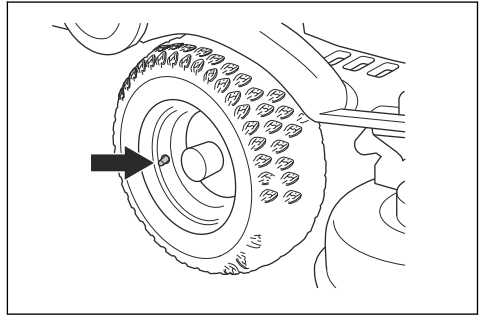
Note: Remove the jumper cables in the opposite sequence to how you connect them.

1. Remove the BLACK cable from the chassis.

2. Remove the BLACK cable from the fully charged battery.
3. Remove the RED cable from the 2 batteries.

Tire pressure

The correct tire pressure is 60 kPa (0.6 bar / 8.5 PSI) on all 4 tires.

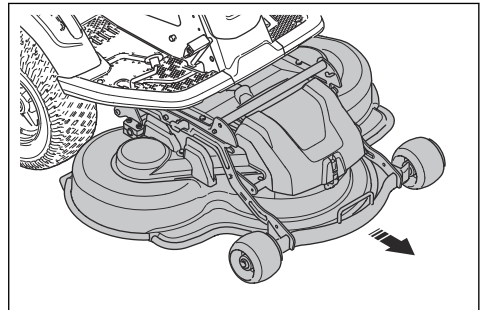


To put the cutting deck in servicing position

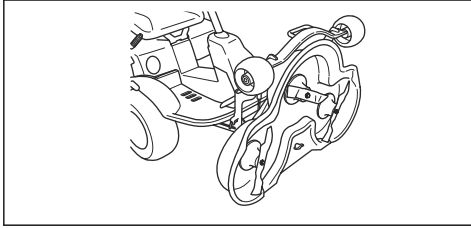


WARNING: The tension spring for the drive belt can break and cause injury. Use protective glasses.

1. Do step 1–9 in *To remove and attach the cutting deck on page 10*.
2. Hold the front edge of the cutting deck with two hands and pull it out until it stops.

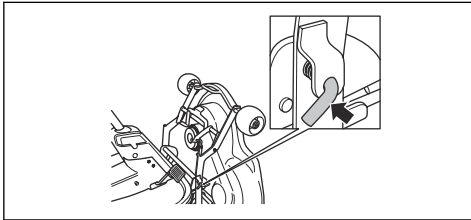


- Lift the cutting deck to vertical position until a click sound is heard. The cutting deck is locked automatically in the vertical position.

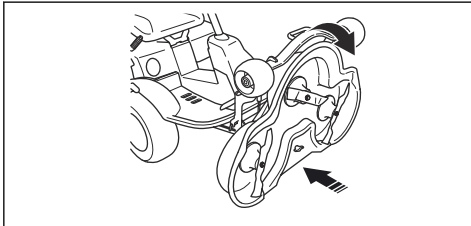


To put the cutting deck in mow position

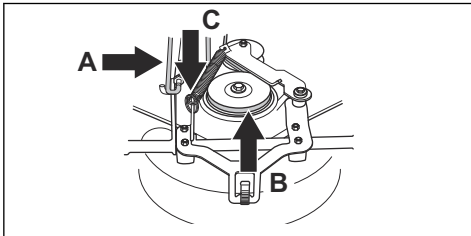
- Hold the front edge of the cutting deck with your left hand.
- Loosen the lock with your right hand.



- Fold down the cutting deck and push it in until it stops.



- Lift the cutting height stay (A) from the stay holder and put it in the hole.



- Put the drive belt (B) in its position.

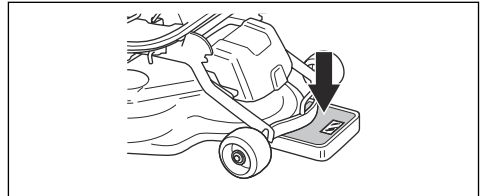
Note: Information about the position of the drive belt is found on the inner surface of the cutting deck cover.

- Put the tension spring (C) back in its position to apply tension to the drive belt.
- Attach the front cover.
- Move the cutting height lever from the servicing position to one of the positions with a number.

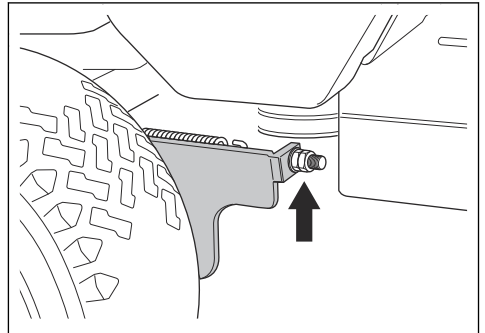
To examine and adjust the ground pressure from the cutting deck

A correct ground pressure makes sure that the cutting deck moves along the surface but does not press too hard against it.

- Make sure that the air pressure in the tires is 60 kPa (0.6 bar / 9.0 PSI).
- Park the product on a level surface.
- Lower the cutting deck to mow position.
- Put a bathroom scale below the front edge of the cutting deck.



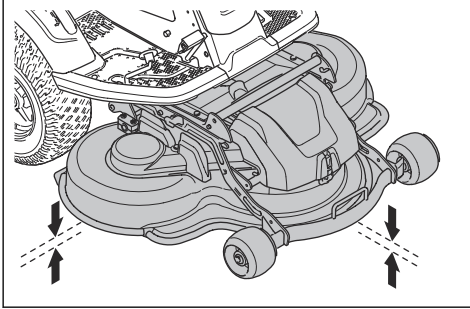
- To make sure that no weight is applied on the support wheels, put a wooden block between the frame and the bathroom scale.
- To adjust the ground pressure, turn the adjustment screws found behind the front wheels on the right and left sides.
- Turn the screws right or left until the ground pressure is between 12 and 15 kg (26.5-33 lb).



To do a check of the parallelism of the cutting deck

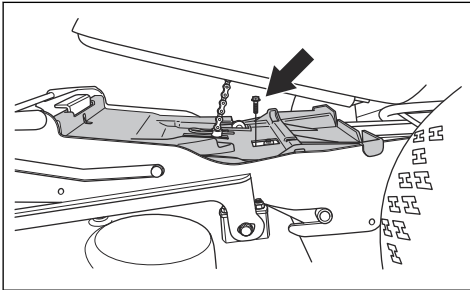
- Make sure that the air pressure in the tires is correct. Refer to *Tire pressure on page 20*.
- Park the product on a level surface.
- Lower the cutting deck to mow position.

4. Set the cutting height lever to the middle position.
5. Measure the distance between the ground and the front and rear edges of the cutting deck. Make sure that the rear edge is 2–4 mm (1/8") higher than the front edge.

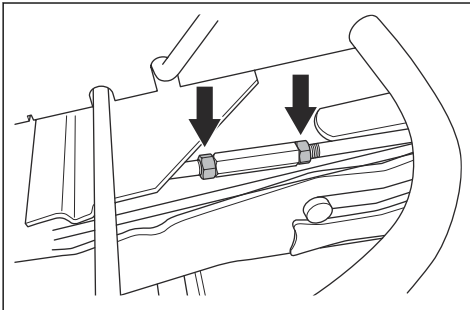


To adjust the parallelism of the cutting deck

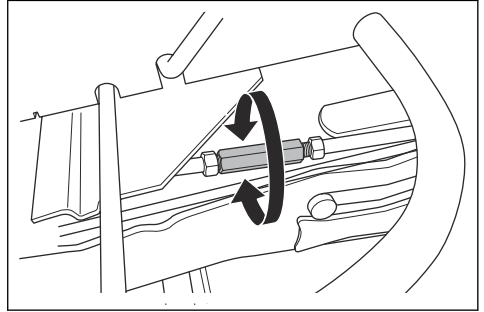
1. Remove the front cover and the right footrest plate.
2. Remove the screws that hold the belt shield and remove the belt shield.



3. Loosen the nuts on the lift strut.



4. Turn the lift strut to extend the stay or make it shorter. Extend the stay to lift the rear edge of the cover. Make the stay shorter to lower the rear edge of the cover.



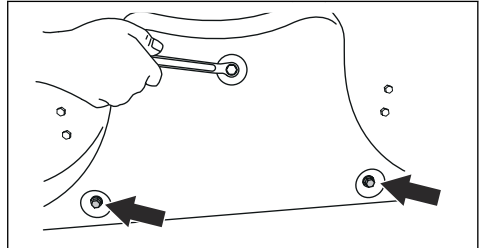
5. Tighten the nuts on the lift strut when the adjustment is done.
6. Do a check of the parallelism. Refer to *To do a check of the parallelism of the cutting deck on page 21*.
7. Attach the belt shield and tighten the screws.
8. Attach the right footrest plate and the front cover.

To remove the BioClip plug

- Remove the BioClip plug to change a Combi cutting deck from BioClip to rear discharge of the grass.

To remove and install the BioClip plug on the cutting deck

1. Put the cutting deck in servicing position. Refer to *To put the cutting deck in servicing position on page 20*.
2. Remove the 3 screws that hold the BioClip plug and remove the plug.



3. Attach 1 M8x15 mm screws in the top screw hole for the BioClip plug to prevent damage to the threads.
4. Put the cutting deck in the mow position.
5. Install the BioClip plug in the opposite sequence.

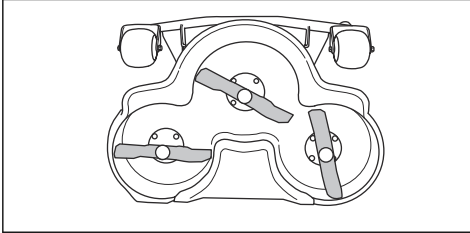
To examine the blades



CAUTION: Damaged or incorrectly balanced blades can cause damage to the product. Replace damaged blades. Let an

approved service agent help you sharpen and balance blunt blades.

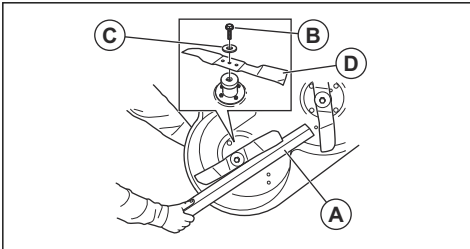
1. Put the cutting deck in servicing position.
2. Look at the blades to see if they are damaged and if it is necessary to sharpen them.



3. Tighten the blade bolts with tightening torque 45–50 Nm.

To replace the blades

1. Put the cutting deck in servicing position.
2. Lock the blade with a wooden block (A).



3. Loosen and remove the blade bolt (B), the washers (C) and the blade (D).
4. Assemble the new blade with the ends that have an angle in the direction of the cutting deck.



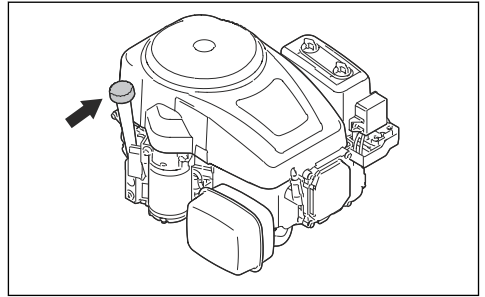
WARNING: Incorrect blade type can cause objects to eject from the cutting deck and cause serious injury. Use only the blades given in *Technical data on page 28*.

5. Attach the blade, the washer and the bolt. Tighten the bolt with a torque of 45–50 Nm.

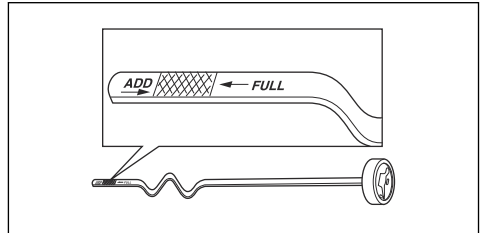
To do a check of the engine oil level

1. Park the product on level ground and stop the engine.
2. Open the engine cover.

3. Loosen the dipstick and pull it out.



4. Clean the oil from the dipstick.
5. Put the dipstick back in and tighten it.
6. Loosen and pull the dipstick out and read the oil level.
7. The oil level must be between the marks on the dipstick. If the level is near the ADD mark, fill oil to the FULL mark.



8. Fill the oil through the hole that the dipstick sits in. Fill the oil slowly.

Note: Refer to *Technical data on page 28* for the types of engine oil that we recommend. Do not mix different types of oil.

9. Tighten the dipstick correctly before you start the engine. Start and idle the engine for approximately 30 seconds. Stop the engine. Wait 30 seconds and do a check of the oil level again.

To change the engine oil and the oil filter

If the engine is cold, start the engine for 1–2 minutes before you drain the engine oil. This makes the engine oil warm and easier to drain.

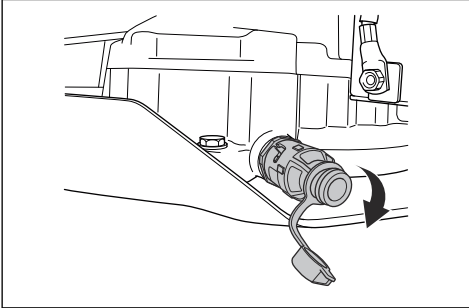


WARNING: Do not operate the engine for more than 1–2 minutes before you drain the engine oil. The engine oil becomes very hot and can cause burn injuries. Let the engine become cool before you drain the engine oil.

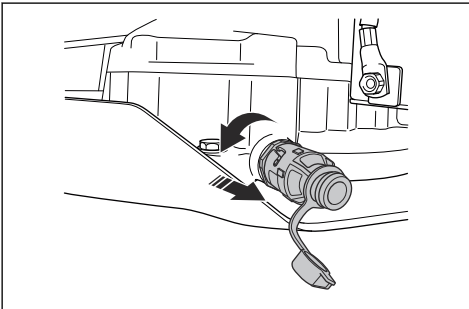


WARNING: If you spill engine oil on your body, clean with soap and water.

1. Open the plastic cap on the end of the oil drain plug.

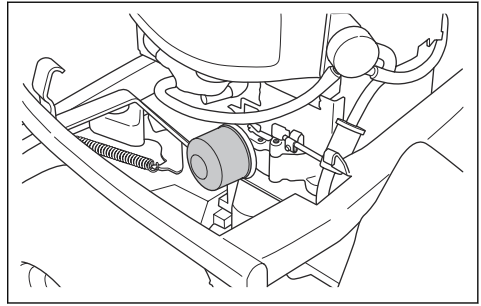


2. To make it easier to drain the oil without spill, attach for example a plastic hose to the end of the oil drain plug.
3. Put a container below the oil drain plug.
4. Remove the dipstick.
5. Turn the oil drain plug counterclockwise and pull out to open it.



6. Let the oil run out into the container.
7. Push the oil drain plug in and turn it clockwise to close it.
8. Remove the plastic hose and put the cap on the oil drain plug back.

9. Turn the oil filter counterclockwise to remove it.



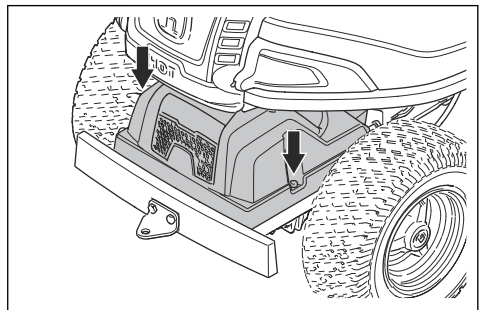
10. Lightly lubricate the rubber seal on the new oil filter with new oil.
11. To attach the oil filter, turn it clockwise by hand until the rubber seal is in position, then tighten a half turn more.
12. Fill with new oil as given in *Technical data on page 28*.
13. Start the engine and let it idle for 3 minutes.
14. Stop the engine and make sure that the oil filter does not leak.
15. Fill with oil to compensate for the oil held in the new oil filter.

Note: For safe disposal of used engine oil, see *Disposal on page 27*.

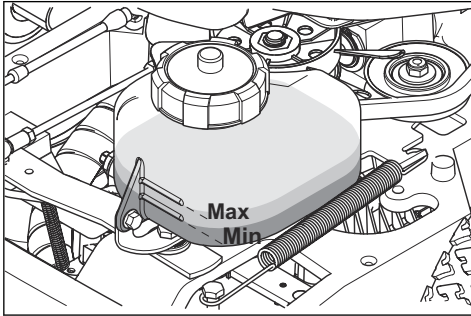
To do a check of the transmission oil level

Note: Do the transmission oil check when the transmission is cool.

1. Put the product on a horizontal surface.
2. Remove the screws, one on each side, and remove the transmission cover.



3. Make sure that the oil level in the transmission oil tank is between the 2 horizontal lines on the tank.



4. Fill with oil if the oil level is below the lower line, but do not fill above the top line. Refer to *Technical data* on page 28 for recommended oil.

Troubleshooting

Troubleshooting schedule

If you cannot find a solution to your problems in this owner's manual, speak to your Husqvarna service agent.

Problem	Cause
The starter motor does not turn the engine over	The parking brake is not applied. See <i>To apply and release the parking brake</i> on page 14.
	The lift lever for the cutting deck is in mow position. See <i>Start conditions</i> on page 8.
	The main fuse is blown. See <i>To replace the main fuse</i> on page 19.
	The ignition lock is defective.
	The connection between the cable and the battery is bad. See <i>Battery safety</i> on page 10.
	The battery is too weak. See <i>To charge the battery</i> on page 19.
	The starter motor is defective.
The engine does not start when the start motor turns the engine over	There is no fuel in the fuel tank. See <i>To fill fuel</i> on page 12.
	The spark plug is defective.
	The ignition cable is defective.
	There is dirt in the carburettor or fuel line.
The engine does not run smoothly	The spark plug is defective.
	The carburettor is incorrectly set.
	The air filter is clogged. See <i>To replace the air filter</i> on page 18.
	The fuel tank vent is blocked.
	There is dirt in the carburetor or fuel line.

Problem	Cause
The engine apparently has no power	The air filter is clogged. See <i>To replace the air filter on page 18.</i>
	The spark plug is defective.
	There is dirt in the carburetor or fuel line.
	The throttle cable is incorrectly adjusted.
The transmission does not have sufficient power	The transmission cold air intake or the cooling fins are blocked.
	The fan on the transmission is damaged.
	There is no oil in the transmission or the oil level is too low. See <i>To do a check of the transmission oil level on page 24.</i>
The battery does not charge	The battery is defective. See <i>Battery safety on page 10.</i>
	The connection at the cable connectors on the battery terminals is bad. See <i>Battery safety on page 10.</i>
There is vibration in the product	The blades are loose. See <i>To examine the blades on page 22.</i>
	One or more of the blades are unbalanced. See <i>To examine the blades on page 22.</i>
	The engine is loose.
The cutting result is unsatisfactory	The blades are blunt. See <i>To examine the blades on page 22.</i>
	The grass is long or wet. See <i>To get a good cutting result on page 15.</i>
	The cutting deck is skew.
	There is grass blockage in the cutting deck. See <i>To clean the product on page 16.</i>
	The tire pressure is different on the right and left sides. See <i>Tire pressure on page 20.</i>
	The product is operated at a too high speed. See <i>To get a good cutting result on page 15.</i>
	The engine speed is too low. See <i>To get a good cutting result on page 15.</i>
	The drive belt slips.

Transportation, storage and disposal

Transportation

- The product is heavy and can cause crush injuries. Be careful when you load it onto or off a vehicle or trailer.
- Use an approved trailer for transportation of the product.
- Make sure that you have knowledge of local road traffic regulations before transportation of the product in a trailer or on roads.

To safely attach the product on a trailer for transport



WARNING: The parking brake is not sufficient to lock the product during transport. Attach the product tightly to the trailer.

Equipment: 2 approved tension belts and 4 wedge shaped wheel blocks.

1. Apply the parking brake.

2. Attach the tension belts around the frame or rear wagon.
3. Tighten the tension belts in the direction of the rear and the front of the trailer to secure the product.
4. Put the wheel blocks in front of and behind the rear wheels.

To tow the product

The product has a hydrostatic transmission. To prevent damage to the transmission, tow the product short distances only and at low speed.

Disengage the transmission before you tow the product. Refer to *To engage and disengage the drive system on page 13*.

Storage

Prepare the product for storage at the end of the season, and before more than 30 days of storage. If you keep fuel in the fuel tank for 30 days or more, tacky particles can cause blockage in the carburetor. This has a negative effect on the engine function.

To prevent tacky particles during storage, add a stabilizer. If alkylate gasoline is used, stabilizer is not necessary. If you use standard gasoline, do not change to alkylate gasoline. This can cause sensitive rubber parts to become hard. Add stabilizer to the fuel in the tank or in the container used for storage. Always use the mixing ratios given by the manufacturer. Run the engine for a minimum of 10 minutes after you add the stabilizer until it flows into the carburetor.



WARNING: Do not keep the product with fuel in the tank in an indoor location or in locations with bad airflow. Risk of fire if fuel fumes come near open flames, sparks, or pilot lights in for example boilers, hot water tanks and clothes dryers.



WARNING: Remove grass, leaves and other flammable materials from the product to decrease the risk of fire. Let the product become cool before you put it in storage.

- Clean the product, see *To clean the product on page 16*. Repair paint damages to prevent corrosion.
- Examine the product for worn or damaged parts and tighten loose screws and nuts.
- Remove the battery. Clean it, charge it, and keep it cool during storage.
- Change the engine oil, and discard the waste oil.
- Empty the fuel tank. Start the engine and run it until there is no remaining fuel in the carburetor.

Note: Do not empty the fuel tank and carburetor if a stabilizer has been added.

- Remove the plugs and put about a tablespoon of engine oil into each cylinder. Manually turn the engine shaft to apply the oil and put the plugs back on.
- Lubricate all grease nipples, joints and axles.
- Keep the product in a clean and dry area and cover it for more protection.
- A cover for protection of your product during storage or transport is available at your dealer.

Disposal

- Chemicals can be dangerous and must not be discarded on the ground. Always discard used chemicals at a service center or an applicable disposal location.
- When the product is worn out, send it to the dealer or to an applicable recycling location.
- Oil, oil filters, fuel and the battery can have negative effects on the environment. Obey the local recycling requirements and applicable regulations.
- Do not discard the battery as domestic waste.
- Send the battery to a Husqvarna service agent or discard it at a disposal location for used batteries.

Technical data

Technical data

	R 214C
Dimensions	
Length without cutting deck, mm	1960
Width without cutting deck, mm	883
Length including cutting deck ¹ , mm	2243
Width including cutting deck ¹ , mm	994
Height, mm	1120
Weight without cutting deck, with empty tank, kg	191
Weight including cutting deck ¹ , with empty tank, kg	228
Wheel base, mm	887
Track width, front, mm	712
Track width, rear, mm	627
Tire dimensions	16.5×6.0×8
Tire pressure, rear – front, kPa / bar / PSI	60 / 0.6 / 8.5
Max. gradient, degrees °	10
Engine	
Brand / Model	Husqvarna / HS 413AE
Nominal engine output, kW ²	8.4
Displacement, cm ³	413
Max. engine speed, rpm	3000 ± 100
Forward speed, km/h	0–9
Reverse speed, km/h	0–6
Fuel, min. octane grade	91
Tank volume, liters	12
Oil	Class SF, SG, SH or SJ SAE40, SAE30, SAE10W-30, SAE10W-40 or SAE5W-20
Oil volume incl. filter, liters	1.4
Oil volume excl. filter, liters	1.2
Start motor	Electric start 12V

¹ Measured with cutting deck Combi 94

² The power rating of the engine indicated is the average net output (at specified rpm) of a typical production engine for the engine model measured to SAE standard J1349/ISO1585. Mass production engines may differ from this value. Actual power output for the engine installed on the final product will depend on the operating speed, environmental conditions and other values.

	R 214C
Transmission	
Brand	Tuff Torq
Model	K46H
Oil, class SF-CC	SAE 10W/40
Electrical system	
Type	12V, negative grounded
Battery	12V, 24Ah
Spark plug	HQT-9
Electrode gap, mm/inch	0.75/0.030
Noise emissions³	
Sound power level, measured dB(A)	98
Sound power level, guaranteed dB(A)	99
Sound levels⁴	
Sound pressure level at the operators ear, dB(A)	84
Vibration levels⁵	
Vibration level on the steering wheel, m/s ²	2.5
Vibration level in the seat, m/s ²	0.7
Cutting deck	
Type	Combi 94

Cutting deck	Combi 94
Cutting width, mm	940
Cutting height, 10 positions, mm	25-75
Weight, kg	37
Blade	
Blade length, mm	358
Article number	579 65 25-10

³ Noise emissions in the environment measured as sound power (L_{WA}) in conformity with EC directive 2000/14/EC.

⁴ Noise pressure level according to EN ISO 5395. Reported data for noise pressure level has a typical statistical dispersion (standard deviation) of 1.2 dB(A).

⁵ Vibration level according to EN ISO 5395. Reported data for vibration level has a typical statistical dispersion (standard deviation) of 0.2 m/s² (steering wheel) and 0.8 m/s² (seat).



WARNING: To use a cutting deck that is not approved for the product can cause objects to eject at high speed and cause

serious injury. Do not use other cutting deck types than specified in this manual.

Control points	
Parallelism cutting deck with cutting height in position 1	2–4 mm / 0.079–0.157 in
Control of cutting height in position 1	25 ± 2 mm / 0.98 ± 0.079 in
Distance between support plate and drive belt	3-6 mm / 1/8 in - 1/4 in
Distance belt tensioner lever arm and belt guide, disengaged deck	17 ± 5 mm / 7/16 in ± 3/16 in

Play	
Brake cable	1 mm / 0.040 in
Cable for the hydrostatic transmission pedals	0 mm / 0 in

Service

Service

Do a yearly check at an authorized service center to make sure that the product functions safely and at its best during high season. The best time to do a servicing or overhaul of the product is low season.

When you send an order for the spare parts, give information about the purchase year, model, type, and serial number.

Always use original spare parts.

EC Declaration of Conformity

EC Declaration of Conformity

Husqvarna AB, SE-561 82 Huskvarna, Sweden, tel: +46-36-146500, declares that the **ride-on lawn mower Husqvarna R 214C** from 2020's serial numbers and onwards (the year is clearly stated in plain text on the rating plate with subsequent serial number), comply with the requirements of the COUNCIL'S DIRECTIVE:

- of May 17, 2006 "relating to machinery" **2006/42/EC**
- of February 26, 2014 "relating to electromagnetic compatibility" **2014/30/EU**
- of June 8, 2011 "restriction of use of certain hazardous substances" **2011/65/EU** .
- of May 8, 2000 "relating to the noise emissions in the environment" **2000/14/EC**

Information regarding noise emissions and the mowing width, see Technical data.

The following harmonised standards have been applied:

EN ISO 5395-1:2013, EN ISO 5395-1:2013/A1:2018, EN ISO 5395-3:2013, EN ISO 5395-3:2013/A1:2017, EN ISO 5395-3:2013/A2:2018, EN ISO 14982:2009, EN ISO 12100:2010

If not otherwise stated, the above listed standards are the latest published versions.

Notified body: **0404, RISE SMP Svensk Maskinprovning AB, Box 7035, SE-750 07 Uppsala** has issued reports regarding the assessment of conformity according to annex VI of the COUNCIL'S DIRECTIVE of May 8, 2000 "relating to the noise emissions in the environment" 2000/14/EC.

Huskvarna, 2020-12-11



Claes Losdal, Development Manager/Garden Products
(Authorized representative for Husqvarna AB and responsible for technical documentation)

Contenido

Introducción.....	32	Resolución de problemas.....	56
Seguridad.....	36	Transporte, almacenamiento y eliminación.....	58
Montaje.....	41	Datos técnicos.....	60
Funcionamiento.....	42	Servicio técnico.....	62
Mantenimiento.....	46	Declaración de conformidad CE.....	63

Introducción

Inspección previa a la entrega y números de producto

copia firmada del documento de inspección previa a la entrega de su distribuidor.

Nota: Se ha realizado una inspección previa a la entrega de este producto. Asegúrese de que recibe una

Información de contacto del taller de servicio:	
Este manual de usuario pertenece a un producto con número de producto/número de serie:	
/	
Motor:	
Transmisión:	

Descripción del producto

El producto es un tractor cortacésped. Los pedales de marcha adelante y marcha atrás permiten al operador ajustar la velocidad directamente. El producto se utiliza con un equipo de corte 2 en 1 con accesorio triturador.

para utilizar el producto para otras tareas. Póngase en contacto con su distribuidor de Husqvarna para obtener más información sobre los accesorios disponibles.

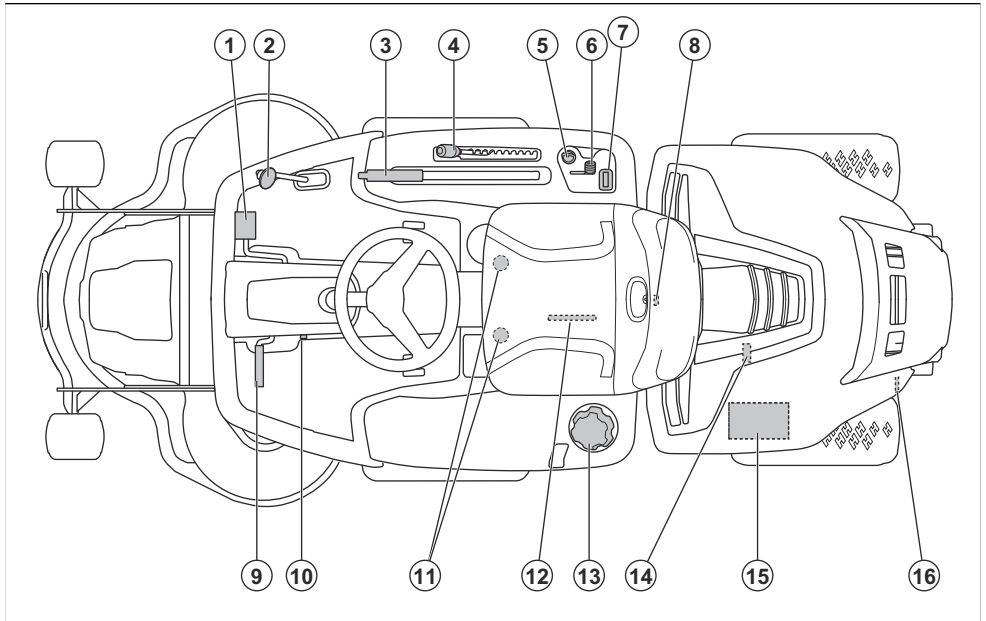
Asegure su producto

Asegúrese de que tiene su seguro cubre el nuevo producto. Si tiene cualquier duda, hable con su compañía de seguros. Se recomienda un seguro a todo riesgo que incluya terceros, incendio, daños, robo y responsabilidad.

Uso previsto

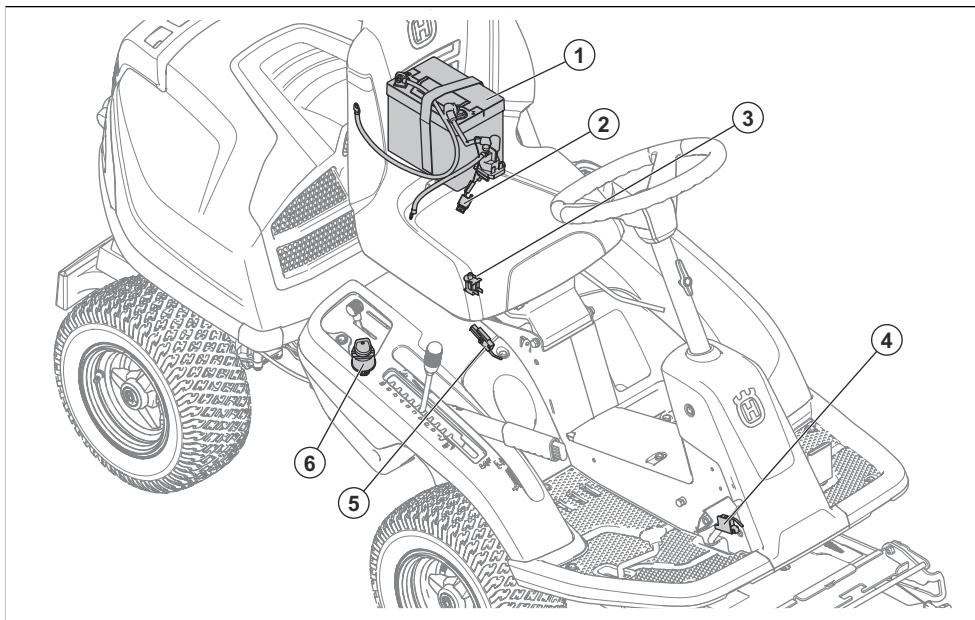
Los productos están diseñados para cortar hierba en espacios abiertos con suelo nivelado como zonas residenciales y jardines. Conecte accesorios opcionales

Descripción del producto



- | | |
|---|--|
| 1. Pedal de avance | 9. Pedal del freno de estacionamiento |
| 2. Pedal de marcha atrás | 10. Botón de bloqueo del freno de estacionamiento |
| 3. Palanca de elevación para el equipo de corte | 11. Ajuste del asiento |
| 4. Palanca de la altura de corte | 12. Placa de identificación con códigos escaneables |
| 5. Contacto | 13. Tapón del depósito de combustible |
| 6. Control del acelerador | 14. Tapón de drenaje de aceite |
| 7. Contador de horas | 15. Batería |
| 8. Cierre de la cubierta del motor | 16. Palanca para engranar o desengranar la transmisión |

Descripción general del sistema eléctrico



1. Batería
2. Fusible principal
3. Control de presencia del usuario (OPC)
4. Microinterruptor, freno de estacionamiento
5. Interruptor de seguridad de la palanca de elevación
6. Contacto

Husqvarna Connect

El manual de instrucciones y más información sobre el producto están disponibles en la aplicación Husqvarna Connect. Husqvarna Connect es una aplicación gratuita para su dispositivo móvil. Consulte la sección *Para empezar a utilizar Husqvarna Connect en la página 42*.

Control de presencia del usuario (OPC)

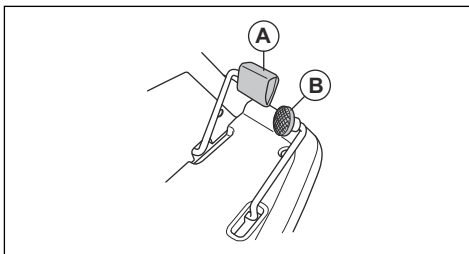
El OPC se activa cuando el operario se levanta del asiento. El motor y la motricidad de las cuchillas se detienen si las cuchillas están activadas o si el freno de estacionamiento no está aplicado. Consulte la sección *Condiciones de arranque en la página 38*.

Cuentahoras

El contador de horas muestra cuántas horas ha estado en marcha el motor. El tiempo con el contacto puesto pero el motor apagado no se registra. El último dígito muestra las décimas de hora (6 minutos).

Pedales de marcha adelante y marcha atrás

La velocidad se ajusta gradualmente con dos pedales. El pedal izquierdo (A) se utiliza para desplazarse hacia delante y el pedal derecho (B) para desplazarse marcha atrás. El producto se detiene al soltar los pedales.



Equipo de corte

Los equipos de corte para este producto son equipos Combi con BioClip. BioClip corta la hierba y la convierte en fertilizante. Los equipos de corte Combi también se pueden utilizar sin BioClip. Sin BioClip, la hierba se expulsa por la parte trasera.

Símbolos que aparecen en el producto



ADVERTENCIA: Su uso descuidado o erróneo puede provocar lesiones graves o mortales al operador o a otras personas.



Lea detenidamente el manual de usuario y asegúrese de que entiende las instrucciones antes de usar la máquina.



Cuchillas giratorias: Mantenga las partes del cuerpo alejadas.



Advertencia: Piezas giratorias. Mantenga las partes del cuerpo alejadas.



Tenga cuidado con los objetos expulsados o rebotados.



Nunca utilice el producto cerca de personas, especialmente niños o mascotas.



Mire hacia atrás antes y durante el desplazamiento del producto marcha atrás.



No corte nunca la hierba de forma transversal en una pendiente. No corte la hierba en terrenos con pendientes de más de 10°. Consulte la sección *Corte del césped en pendientes en la página 39*.



No lleve nunca pasajeros en el producto o el equipo.



Desplazamiento hacia delante.

N

Punto muerto.



Desplazamiento marcha atrás.



Freno de estacionamiento.



Este producto cumple con las directivas CE vigentes.



Las emisiones sonoras en el entorno según la directiva de la Comunidad Europea. Las emisiones del producto se indican en el capítulo «Datos técnicos» y en la etiqueta.



Utilice siempre una protección de oídos homologada.



Pare el motor.

START

Arranque el motor.



Régimen del motor: rápido.



Régimen del motor: lento.



Con motor de combustión.



Máx. 10 % de etanol.



Altura de corte.



La posición de servicio de la palanca de altura de corte.



Las cuchillas están activadas.



Las cuchillas están desactivadas.



Posición de transporte del equipo de corte.



Posición de funcionamiento del equipo de corte.



Engranaje y desengranaje del sistema de transmisión.



Nivel de aceite.



Código escaneable

aaaassxxxx

La placa de características indica el número de serie. **aaaa** es el año de producción y **ss** es la semana de producción.

Nota: Los demás símbolos/etiquetas que aparecen en el producto corresponden a requisitos de homologación específicos de algunas zonas comerciales.

Emisiones Euro V



ADVERTENCIA: La manipulación del motor anula la homologación de la UE de este producto.

Responsabilidad sobre el producto

Como se estipula en las leyes de responsabilidad del producto, no nos hacemos responsables de los daños y perjuicios causados por nuestro producto si:

- El producto se ha reparado incorrectamente.
- El producto se ha reparado con piezas que no eran del fabricante o no autorizadas por el fabricante.
- El producto tiene un accesorio que no es del fabricante o no está autorizado por este.
- El producto no se ha reparado en un centro de servicio autorizado o por un organismo homologado.

Seguridad

Definiciones de seguridad

Las advertencias, precauciones y notas se utilizan para destacar información especialmente importante del manual.



ADVERTENCIA: Indica un riesgo de lesiones o incluso de muerte del usuario o de las personas cercanas si no se respetan las instrucciones del manual.



PRECAUCIÓN: Indica un riesgo de daños en el producto, otros materiales o el área adyacente si no se respetan las instrucciones del manual.

Nota: Se usa para proporcionar más información necesaria en una situación determinada.

Instrucciones generales de seguridad



ADVERTENCIA: Este producto puede cortar las manos y los pies, y arrojar objetos. Puede causar lesiones graves o incluso la muerte si no siguen las instrucciones de seguridad.



ADVERTENCIA: No se debe continuar utilizando un producto con un equipo de corte dañado, ya que este puede arrojar objetos y causar lesiones graves o

incluso la muerte. Sustituya las cuchillas dañadas inmediatamente.



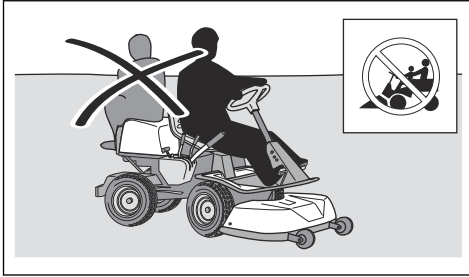
ADVERTENCIA: Este producto genera un campo electromagnético durante el funcionamiento. Este campo magnético puede, en determinadas circunstancias, interferir con implantes médicos activos o pasivos. Para reducir el riesgo de que se den condiciones que provocarían lesiones graves o letales, las personas que utilizan implantes médicos deben consultar con su médico y con el fabricante del implante antes de poner en marcha este producto.



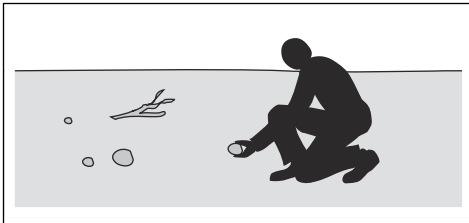
ADVERTENCIA: Lea las siguientes instrucciones de advertencia antes de utilizar el producto.

- Proceda siempre con cuidado y utilice siempre el sentido común. Evite todas aquellas situaciones que considere que sobrepasan sus capacidades. Si después de leer el manual de usuario no se siente seguro respecto a los procedimientos de funcionamiento, consulte con un experto antes de continuar.
- Lea detenidamente y comprenda el manual de usuario y las instrucciones del producto antes de arrancar el producto.
- Aprenda a utilizar el producto y sus controles de forma segura, y aprenda a detener el producto con rapidez.

- Aprenda a reconocer las etiquetas de seguridad.
- Mantenga el producto limpio para asegurarse de que puede leer claramente los símbolos y las pegatinas.
- Debe tenerse en cuenta que el operador será responsable de los accidentes que involucren a otras personas o a su propiedad.
- No transporte pasajeros. El producto debe ser usado únicamente por una persona.



- No deje que el producto permanezca sin supervisión con el motor en marcha. Pare siempre las cuchillas, ponga el freno de estacionamiento, detenga el motor y quite la llave de contacto antes de dejar el producto sin supervisión.
- Utilice el producto únicamente con la luz del día o en áreas con buena iluminación. Mantenga el producto a una distancia segura respecto a edificios u otras irregularidades del suelo. Tenga cuidado con otros posibles riesgos.
- No utilice el producto en condiciones climáticas desfavorables, por ejemplo, con niebla, lluvia, humedad, lugares húmedos, viento fuerte, frío intenso, posibilidad de relámpagos, etc.
- Localice y marque piedras y otros objetos fijos para no colisionar con ellos.
- Limpie la zona de objetos tales como piedras, juguetes, cables, etc. que se podrían quedar atrapados en las cuchillas y ser lanzados.



- No deje que los niños u otras personas no autorizadas utilicen el producto ni realicen su mantenimiento. La legislación local regula la edad del usuario.
- Asegúrese de que no hay nadie en las proximidades del producto cuando arranque el motor, accione la transmisión o comience a desplazar el producto.
- Preste atención al tráfico cuando utilice la máquina cerca de una carretera o se desplace por una.

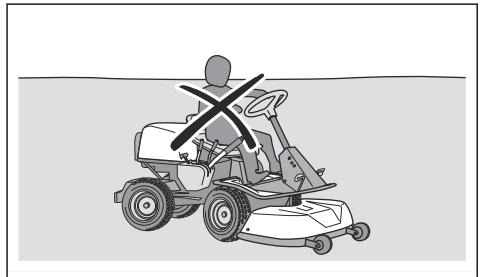
- No utilice el producto si está cansado, si ha ingerido alcohol o drogas, o si toma medicamentos o cualquier otra sustancia que puedan afectarle la vista, su capacidad de discernimiento o el control del cuerpo.
- Estacione siempre el producto en una superficie nivelada con el motor apagado.

Instrucciones de seguridad relativas a los niños



ADVERTENCIA: Lea las siguientes instrucciones de advertencia antes de utilizar el producto.

- Pueden producirse accidentes graves si no vigila a los niños que estén cerca del producto. Los niños pueden sentirse atraídos por el producto y por cortar el césped. Es muy posible que los niños no se queden quietos donde los vio por última vez.
- Mantenga a los niños alejados de la zona de corte. Asegúrese de que hay presente un adulto responsable de los niños.
- Preste atención y detenga el producto si un niño entra en la zona de trabajo. Tenga mucho cuidado cuando se acerque a esquinas, arbustos, árboles u otros objetos que podrían bloquear su buena visibilidad.
- Antes de desplazar el producto marcha atrás, mire hacia atrás y hacia abajo para asegurarse de que no hay niños pequeños en las proximidades del producto.
- No deje que los niños monten con usted. Pueden caerse y sufrir graves lesiones o impedir el manejo seguro del producto.
- No deje que los niños manejen el producto.



Instrucciones de seguridad para el funcionamiento



ADVERTENCIA: No toque el motor ni el sistema de escape durante o directamente después del uso. El motor y el sistema de escape pueden calentarse mucho durante el funcionamiento. Riesgo de quemaduras, incendio y daños en la propiedad o las zonas adyacentes. Al utilizar

el producto, aléjese de los arbustos y otros objetos.



ADVERTENCIA: Lea las siguientes instrucciones de advertencia antes de utilizar el producto.

- Antes de desplazarse marcha atrás, mire bien detrás y hacia abajo. Tenga cuidado con los obstáculos grandes y pequeños.
- Reduzca la velocidad antes de doblar una esquina.
- Detenga las cuchillas cuando se mueva por zonas que no requieran corte.



PRECAUCIÓN: Lea las siguientes instrucciones de precaución antes de utilizar el producto.

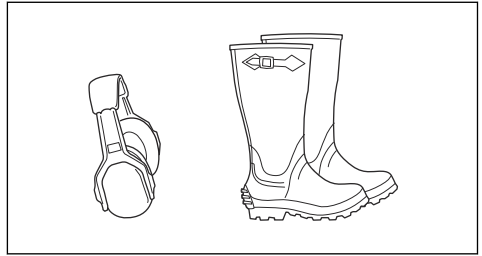
- Antes de usar el producto, limpie la hierba y la suciedad de la toma de aire frío del motor. Si la toma de aire frío se bloquea, se corre el riesgo de dañar el motor.
- Muévase con cuidado alrededor de piedras y otros objetos grandes, y asegúrese de que las cuchillas no golpean los objetos.
- No pase con el producto por encima de objetos. Si pasa con el producto por encima de algún objeto o choca con él, deténgase y examine el producto y el equipo de corte. Si es necesario, realice cualquier reparación necesaria antes de volver a ponerse en marcha.

Equipo de protección personal



ADVERTENCIA: Lea las siguientes instrucciones de advertencia antes de utilizar el producto.

- Para trabajar con el producto debe utilizar un equipo de protección personal homologado. El equipo de protección personal no elimina completamente el riesgo de lesiones, pero reduce la gravedad de las lesiones en caso de accidente. Deje que el distribuidor le ayude a seleccionar el equipo adecuado.
- Se debe utilizar siempre protección auditiva homologada. La exposición prolongada al ruido puede causar daños crónicos en el oído.
- Lleve siempre calzado de seguridad o botas de protección. Se recomienda llevar punteras de acero. No utilice el producto descalzo.



- Utilice guantes cuando sea necesario, por ejemplo, para el montaje, inspección o limpieza del equipo de corte.
- No lleve ropa suelta, joyas u otros objetos que puedan quedar atrapados en las piezas móviles.
- Mantenga el equipo de primeros auxilios y el extintor de incendios cerca.

Dispositivos de seguridad en el producto



ADVERTENCIA: Lea las siguientes instrucciones de advertencia antes de utilizar el producto.

- No utilice un producto que tenga dispositivos de seguridad defectuosos. Realice una comprobación de los dispositivos de seguridad con frecuencia. Si los dispositivos de seguridad están defectuosos, hable con su taller de servicio Husqvarna.
- No realice ninguna modificación de los dispositivos de seguridad. No utilice el producto si las placas protectoras, las cubiertas de protección, los interruptores de seguridad u otros dispositivos de protección no están instalados o están dañados.

Comprobación del contacto

- Arranque y detenga el motor para realizar una comprobación del contacto. Consulte el apartado *Arranque del motor en la página 44* y *Parada del motor en la página 45*.
- Asegúrese de que el motor arranca cuando gire la llave de contacto a START.
- Asegúrese de que el motor se detiene cuando gire la llave de contacto a STOP.

Condiciones de arranque

Para arrancar el motor, se deben dar las siguientes condiciones:

- El equipo de corte está elevado y el freno de estacionamiento, accionado.

El motor se debe detener en las siguientes situaciones:

- El equipo de corte está bajado y el operador se levanta del asiento.
- El equipo de corte está elevado, el freno de estacionamiento no está accionado y el operador se levanta del asiento.

Intente poner en marcha el motor incumpliendo una de las condiciones. Inténtelo de nuevo en el otro supuesto. Realice esta prueba a diario.

Revisión del pedal de avance y el pedal de marcha atrás

1. Asegúrese de que los pedales de avance y marcha atrás no están bloqueados y se pueden accionar libremente.
2. Suelte el pedal de marcha adelante para frenar.
3. Asegúrese de que el producto frena cuando se suelta el pedal de marcha adelante.
4. Para obtener más potencia de frenado, pise el pedal de marcha atrás.
5. Realice el mismo procedimiento con el pedal de marcha atrás.

Freno de estacionamiento



ADVERTENCIA: Si el freno de estacionamiento no funciona, el producto puede comenzar a moverse y provocar daños o lesiones. Asegúrese de que el freno de estacionamiento se examina y ajusta con frecuencia.

Consulte la sección *Comprobación del freno de estacionamiento en la página 49.*

Silenciador

El silenciador mantiene al mínimo los niveles de ruido y aparta los gases de escape del operador.

No utilice el producto si el silenciador no está instalado o está defectuoso. Un silenciador defectuoso aumenta el nivel de ruido y el riesgo de incendio.



ADVERTENCIA: El silenciador se calienta mucho durante y después de su uso, y cuando el motor funciona a ralentí. Tenga cuidado cerca de materiales inflamables o gases para evitar incendios.

Comprobación del silenciador

- Examine el silenciador con frecuencia para asegurarse de que está montado correctamente y que no está dañado.

Tapas protectoras

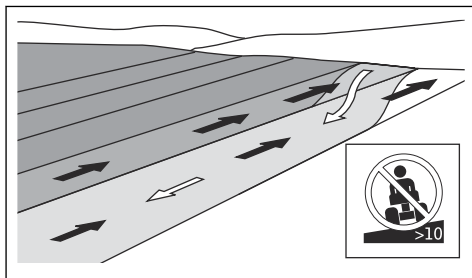
Si el producto no dispone de tapas protectoras o estas están dañadas, aumenta el riesgo de lesiones por piezas móviles y superficies calientes. Compruebe las tapas protectoras antes de poner en marcha el producto. Asegúrese de que las tapas protectoras están montadas correctamente y no tienen grietas u otros daños. Sustituya las tapas dañadas.

Corte del césped en pendientes

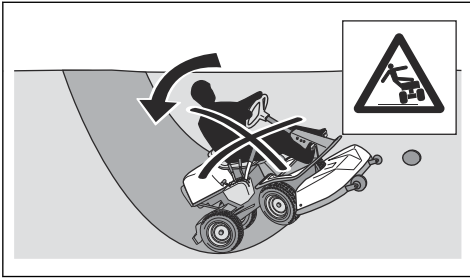


ADVERTENCIA: Lea las siguientes instrucciones de advertencia antes de utilizar el producto.

- Cortar el césped en pendientes aumenta el riesgo de perder el control del producto y que este vuelque, lo que puede provocar lesiones graves o la muerte. Es necesario cortar el césped con cuidado en todas las pendientes. Si no puede dar marcha atrás en una pendiente o si no se siente seguro en ella, no utilice la máquina.
- Quite piedras, ramas y otros obstáculos.
- En las pendientes, trabaje de arriba a abajo y no de lado a lado.
- No pise por una pendiente con el equipo de corte elevado.
- No utilice el producto en pendientes de más de 10°.



- No arranque ni detenga la máquina en una pendiente.
- En pendientes, desplácese con suavidad y lentamente.
- No realice cambios súbitos de velocidad ni dirección.
- No gire más de lo necesario. Cuando baje por una pendiente, gire de forma lenta y gradual. Muévase a baja velocidad. Gire la rueda con cuidado.
- Tenga cuidado, no se mueva a través de surcos, agujeros y baches, ya que existe un alto riesgo de que el producto se vuelque sobre una superficie que no es plana. El césped crecido puede esconder obstáculos.
- No corte el césped cerca de bordes, zanjas o terraplenes. El producto puede volcar repentinamente si alguna de las ruedas pasa por el borde de una fuerte pendiente o una zanja, o si falta un trozo de bordillo. Si el producto cae al agua, existe riesgo de ahogamiento.



- Guarde el producto y el combustible de manera que no haya riesgo de que las fugas de combustible o los gases puedan causar daños.
- Vacíe el combustible en un depósito homologado situado en el exterior y lejos de llamas descubiertas.

Seguridad de la batería



ADVERTENCIA: Una batería dañada puede explotar y causar lesiones. Si la batería está deformada o dañada, póngase en contacto con un taller de servicio Husqvarna homologado.



ADVERTENCIA: Lea las siguientes instrucciones de advertencia antes de utilizar el producto.

- Use gafas protectoras cuando esté cerca de las baterías.
- No lleve relojes, joyas ni otros objetos metálicos cerca de la batería.
- Mantenga la batería fuera del alcance de los niños.
- Cargue la batería en un espacio con buena ventilación.
- Cuando cargue la batería, mantenga los materiales inflamables a una holgura mínima de 1 m.
- Deseche las baterías sustituidas. Consulte *Eliminación en la página 59*.
- Pueden salir gases explosivos de la batería. No fume cerca de la batería. Mantenga la batería lejos de llamas abiertas y chispas.

- No corte hierba mojada. Es resbaladiza y las ruedas pueden perder adherencia, y el producto puede patinar.
- No ponga el pie en el suelo para intentar que el producto sea más estable.
- Muévase con mucho cuidado si hay conectado un accesorio u otro objeto que pueda hacer que el producto sea menos estable.
- Para aumentar la estabilidad, coloque los pesos de las ruedas. Póngase en contacto con su distribuidor para obtener más información.

Seguridad en el uso del combustible



ADVERTENCIA: Tenga cuidado con el combustible. Es muy inflamable y puede causar lesiones y daños a la propiedad.



ADVERTENCIA: Lea las siguientes instrucciones de advertencia antes de utilizar el producto.

- No llene el depósito de combustible en interiores.
- La gasolina y los gases de la gasolina son tóxicos y muy inflamables. Tenga cuidado con la gasolina para evitar lesiones o incendios.
- No retire el tapón de combustible ni llene el depósito de combustible cuando el motor esté en marcha.
- Deje que el motor se enfríe antes de repostar combustible.
- No fume cuando reposte combustible.
- No reposte combustible cerca de chispas o llamas descubiertas.
- Si hay fugas en el sistema de combustible, no arranque el motor hasta que se reparen las fugas.
- No reposte por encima del nivel de combustible recomendado. No llene demasiado el depósito de combustible ya que el calor procedente del motor y el sol hace que el combustible se expanda y se desborde si el depósito se llena demasiado. Si derrama carburante en el producto, límpielo y espere a que se haya secado antes de arrancar el motor. Si derrama combustible sobre la ropa, cámbiese inmediatamente.
- Almacene el combustible solo en recipientes homologados.

Instrucciones de seguridad para el mantenimiento



ADVERTENCIA: El producto es pesado y puede ocasionar lesiones o daños a los equipos o el área adyacente. No realice tareas de mantenimiento en el motor ni el equipo de corte si no se cumplen estas condiciones:

- El motor está apagado.
- El producto está estacionado en una superficie nivelada.
- El freno de estacionamiento está accionado.
- La llave de contacto está quitada.
- El equipo de corte está desacoplado.
- Los cables de encendido se han extraído de las bujías.



ADVERTENCIA: Los gases de escape del motor contienen monóxido de carbono, que es un gas inodoro, tóxico y muy peligroso. No ponga en marcha el

producto en espacios cerrados ni espacios que no estén bien ventilados.



ADVERTENCIA: Lea las siguientes instrucciones de advertencia antes de utilizar el producto.

- Para lograr un mejor rendimiento y seguridad, realice el mantenimiento del producto periódicamente según lo establecido en el programa de mantenimiento. Consulte *Programa de mantenimiento en la página 46*.
- Las descargas eléctricas pueden causar lesiones. No toque los cables cuando el motor está encendido. No realice una prueba de funcionamiento del sistema de encendido con los dedos.
- No arranque el motor si se han retirado las cubiertas de protección. Existe un alto riesgo de lesiones causadas por las piezas móviles o calientes.
- Deje que el producto se enfríe antes de llevar a cabo alguna tarea de mantenimiento cerca del motor.
- Las cuchillas están afiladas y pueden provocar cortes. Cuando trabaje en las cuchillas, use una

protección contra el viento alrededor de las mismas o lleve guantes protectores.

- Coloque el equipo de corte siempre en posición de servicio para limpiarlo. No estacione el producto cerca del borde de una zanja ni de una pendiente si va a acceder al equipo de corte.



PRECAUCIÓN: Lea las siguientes instrucciones de precaución antes de utilizar el producto.

- No encienda el motor si se han desconectado la bujía o el cable de encendido.
- Asegúrese de que todas las tuercas y pernos están apretados correctamente y que el equipo está en buen estado.
- No cambie el ajuste de los reguladores. Si el régimen del motor es demasiado alto, los componentes del producto pueden dañarse. Consulte *Datos técnicos en la página 60* para saber el máximo régimen de motor permitido.
- El producto está homologado con el equipo original proporcionado o recomendado por el fabricante.

Montaje

Introducción

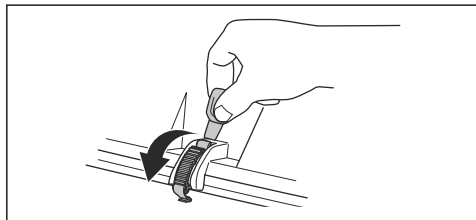


ADVERTENCIA: El muelle de tensión de la correa de transmisión puede romperse y causar lesiones. Lleve gafas protectoras cuando monte o retire el equipo de corte.

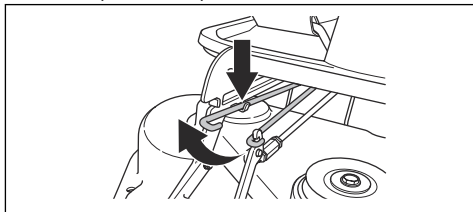
Lea detenidamente las instrucciones de montaje del manual del propietario. Una etiqueta en la parte interior de la cubierta frontal del producto también muestra cómo montar y retirar el equipo de corte.

Retirada y fijación del equipo de corte

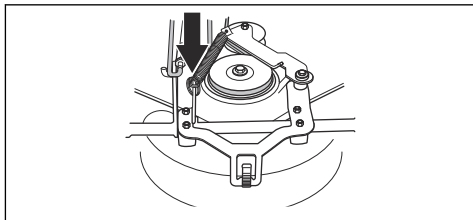
1. Estacione el producto en un suelo nivelado.
2. Aplique el freno de estacionamiento.
3. Coloque la palanca de la altura de corte en la posición de servicio.
4. Suelte el clip de la cubierta delantera con la herramienta acoplada a la llave de contacto y retire la cubierta.



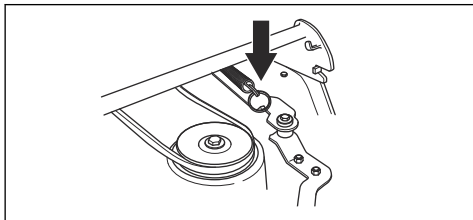
5. Levante el tirante de la altura de corte y colóquelo en el soporte correspondiente.



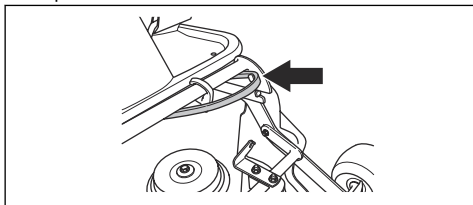
6. Tire del ojal del muelle para aflojarlo y liberar la tensión de la correa de transmisión.



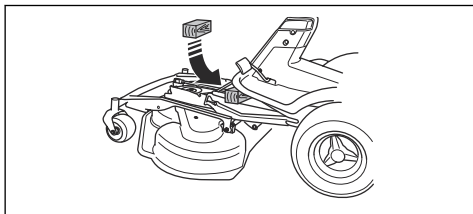
7. Coloque el ojal del muelle en el soporte del brazo de tensión de la correa de transmisión.



8. Extraiga la correa de transmisión y colóquela en el soporte de la correa.



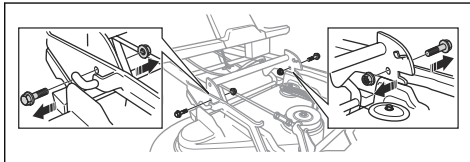
9. Coloque un bloque de madera entre el bastidor del equipo de corte y el chasis. Esto garantizará que el equipo de corte no retroceda al retirarlo.



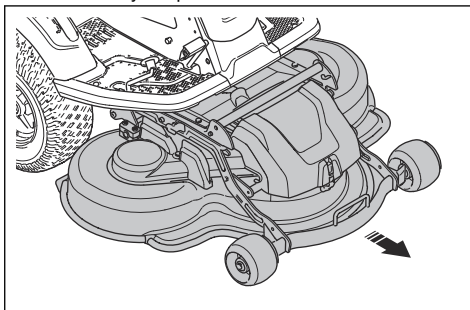
ADVERTENCIA: Tenga cuidado. Existe riesgo de lesiones si la mano

queda atrapada entre el bastidor del equipo y el chasis.

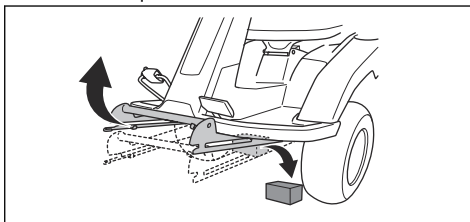
10. Retire los 2 tornillos del bastidor del equipo.



11. Sujete el borde delantero del equipo de corte con las dos manos y tire para sacarlo.



12. Retire el bloque de madera.



13. Acople el equipo de corte siguiendo la secuencia opuesta.

Funcionamiento

Introducción



ADVERTENCIA: Antes de utilizar el producto, debe leer y entender el capítulo sobre seguridad.

Para empezar a utilizar Husqvarna Connect

1. Descargue la aplicación Husqvarna Connect en su dispositivo móvil.
2. Registre una cuenta en la aplicación Husqvarna Connect.
3. Siga las instrucciones de la aplicación Husqvarna Connect para conectarse y registrar el producto.

Repostaje de combustible



ADVERTENCIA: La gasolina es muy inflamable. Tenga cuidado y reposte combustible al aire libre; consulte *Seguridad en el uso del combustible en la página 40*.



ADVERTENCIA: No utilice el depósito de combustible como punto de apoyo.



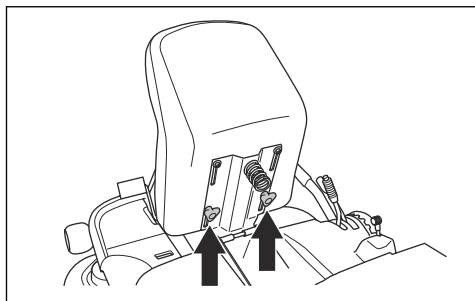
PRECAUCIÓN: Un tipo de combustible incorrecto puede producir daños en el motor.

El motor funciona con gasolina con un octanaje mínimo de 91 RON (87 AKI), sin mezcla de aceite. Le recomendamos gasolina a base de alquilatos biodegradable. No utilice gasolina que contenga más de un 10 % de etanol.

- Revise el nivel de combustible antes de cada uso y reposte si es necesario.
- No llene el depósito de combustible completamente. Deje un espacio mínimo de 2,5 cm.

Ajuste del asiento

El asiento se puede inclinar hacia delante. También se puede ajustar longitudinalmente. Afloje las manivelas situadas debajo del asiento para ajustar el asiento hacia delante o hacia atrás.

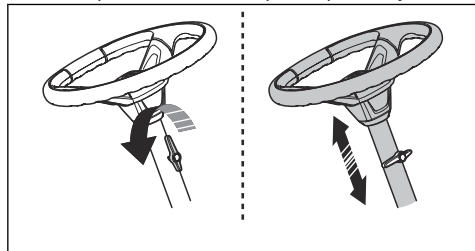


Ajuste de la altura del volante



ADVERTENCIA: No ajuste la altura del volante mientras utiliza el producto.

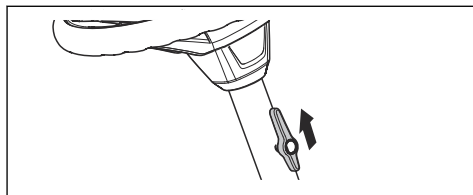
1. Gire la palomilla hacia la izquierda para aflojarla.



2. Ajuste la altura del volante.
3. Gire la palomilla hacia la derecha para apretarla.



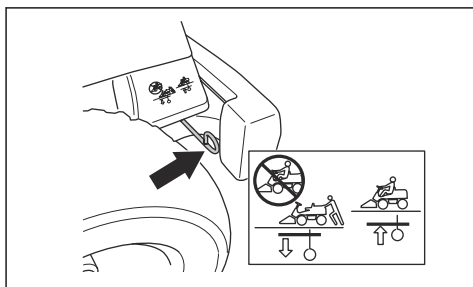
PRECAUCIÓN: Asegúrese de que el extremo largo de la palomilla apunta hacia arriba.



Engranaje y desengranaje del sistema de transmisión

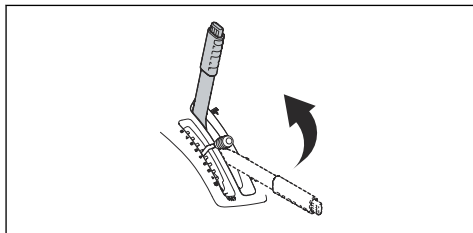
Para mover el producto con el motor apagado, el sistema de transmisión debe estar desengranado. Tire de la palanca del sistema de transmisión hasta el tope para desengranar la transmisión del eje. Empuje la palanca del sistema de transmisión hasta el tope para accionar el motor en el eje. No utilice las posiciones medias.

La palanca del sistema de transmisión se encuentra detrás de la rueda trasera izquierda.



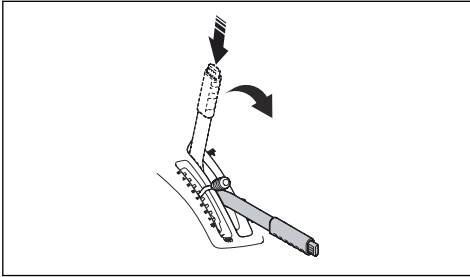
Elevación y bajada del equipo de corte

Para elevar el equipo de corte a la posición de transporte, tire de la palanca de elevación hacia atrás. Si el motor está encendido, las cuchillas dejan de girar automáticamente.



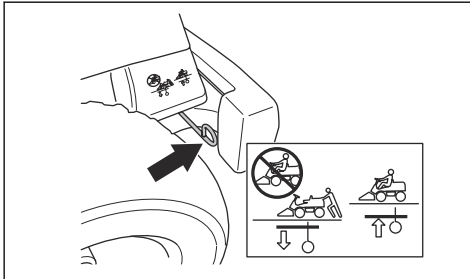
Para bajar el equipo de corte a la posición de corte, pulse el botón de bloqueo y mueva la palanca de

elevación hacia delante. Si el motor está en marcha, las cuchillas empiezan a girar automáticamente.

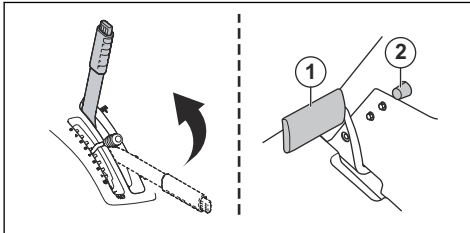


Arranque del motor

1. Asegúrese de que el sistema de transmisión está engranado, consulte *Engranaje y desengranaje del sistema de transmisión en la página 43*.

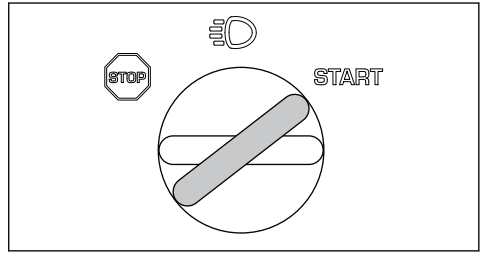


2. Eleve el equipo de corte y aplique el freno de estacionamiento.



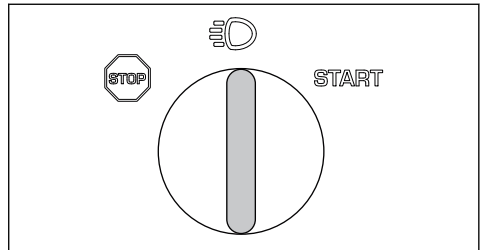
3. Gire la llave de contacto hasta la posición de arranque.

4. Una vez que arranca el motor, suelte inmediatamente la llave de contacto a la posición neutra.

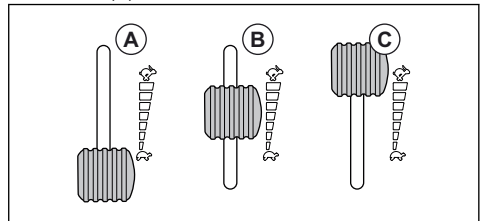


Nota: No accione el mecanismo de arranque durante más de cinco segundos cada vez. Si el motor no arranca, espere 15 segundos antes de intentarlo de nuevo.

5. Gire la llave a la posición de luces para que se enciendan los faros.



6. Deje que el motor funcione con el acelerador en la posición media (B) durante 3-5 minutos antes de aplicar cargas pesadas.
7. Empuje el acelerador a la posición de aceleración máxima (C).

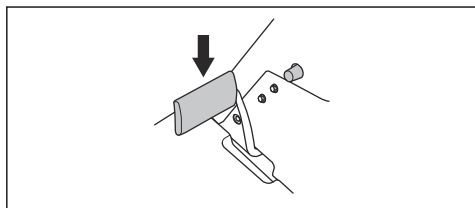


Nota: Acoplar las cuchillas cuando el motor está a máxima velocidad genera tensión en las correas de transmisión. No acelere al máximo hasta que el equipo de corte haya bajado a la posición de cortar el césped.

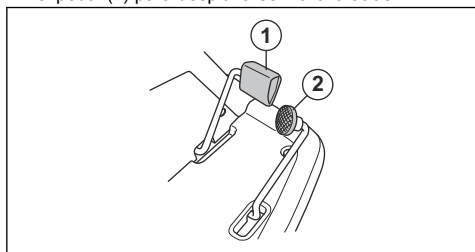
Manejo del producto

1. Arranque el motor.

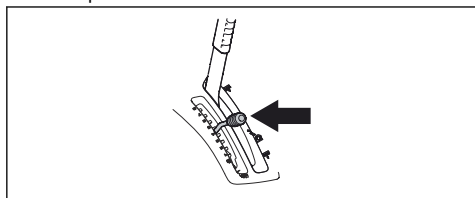
2. Pise el pedal del freno de estacionamiento y, a continuación, suéltelo para liberar el freno de estacionamiento.



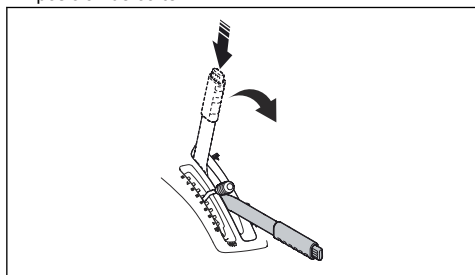
3. Pise con cuidado uno de los pedales de aceleración. Cuanto más pise el pedal, mayor será la velocidad. Utilice el pedal (1) para desplazarse hacia delante y el pedal (2) para desplazarse marcha atrás.



4. Suelte el pedal del freno.
5. Seleccione la altura de corte (1 - 10) con la palanca correspondiente.

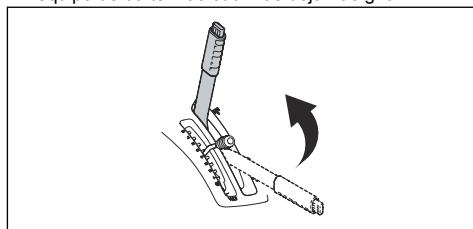


6. Pulse el botón de bloqueo de la palanca de elevación para el equipo de corte y bájela a la posición de corte.

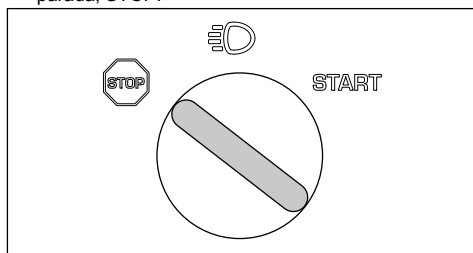


Parada del motor

1. Tire de la palanca de elevación del equipo de corte hacia atrás a su posición de bloqueo y eleve el equipo de corte. Las cuchillas dejan de girar.



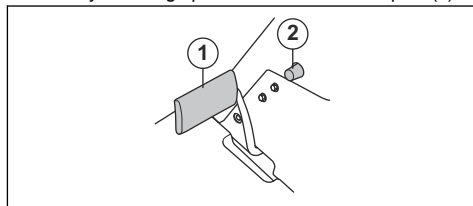
2. Gire la llave de contacto hasta la posición de parada, STOP.



3. Cuando el producto se detenga, aplique el freno de estacionamiento.

Aplicar y soltar el freno de estacionamiento

1. Pise el pedal del freno de estacionamiento (1).
2. Pulse y mantenga pulsado el botón de bloqueo (2).



3. Mantenga pulsado el botón y suelte el pedal del freno de estacionamiento.
4. Para soltar el freno de estacionamiento, vuelva a pisar el pedal del freno de estacionamiento.

Para obtener un buen resultado de corte

- Para lograr un mejor rendimiento, realice el mantenimiento del producto periódicamente según lo establecido en el programa de mantenimiento. Consulte la sección *Programa de mantenimiento en la página 46*.
- No corte el césped si está húmedo. La hierba mojada produce malos resultados.

- Empiece con una altura de corte elevada y redúzcala gradualmente.
- Corte con las cuchillas girándolas a alta velocidad (para el régimen máximo permitido para el motor, consulte *Datos técnicos en la página 60*). Mueva el producto hacia delante a baja velocidad. Si la hierba

no está demasiado alta y espesa, también puede obtener un buen resultado de corte a una velocidad superior.

- Corte el césped siguiendo un patrón irregular.
- Para obtener los mejores resultados, corte el césped con frecuencia y utilice la función Bioclip®.

Mantenimiento

Introducción



ADVERTENCIA: Antes de realizar cualquier trabajo de mantenimiento, debe leer y entender el capítulo sobre seguridad.

X = Estas instrucciones se indican en este manual de usuario.

O = Estas instrucciones no se indican en este manual de usuario. Deje que un taller de servicio homologado haga el mantenimiento.

Programa de mantenimiento

* = mantenimiento general realizado por el operador. Estas instrucciones no se indican en este manual de usuario.

Nota: Si hay más de un intervalo de tiempo indicado en la tabla, el intervalo de tiempo más corto es únicamente para el primer mantenimiento.

Mantenimiento	Mantenimiento diario antes de la puesta en marcha	Intervalo de mantenimiento en horas		
		25	50	100
Asegúrese de que las tuercas y los tornillos están bien apretados	*			
Asegúrese de que no haya fugas de combustible o aceite	*			
Limpie según lo establecido en <i>Limpieza del producto en la página 47</i>	X			
Limpie la superficie interior del equipo de corte, alrededor de las cuchillas	X			
Limpie la superficie alrededor del silenciador	X			
Asegúrese de que la toma de aire frío del motor no esté obstruida	X			
Asegúrese de que los dispositivos de seguridad no están defectuosos	X			
Examine y realice una prueba de los frenos	*			
Compruebe el nivel de aceite del motor	X			
Compruebe el nivel de aceite de la transmisión	X			
Compruebe los cables de la dirección	X			
Examine las cuchillas del equipo de corte		X		
Limpie el equipo de corte, debajo de las cubiertas de la correa y debajo del equipo de corte		X	X	
Asegúrese de que la presión de los neumáticos es correcta		X	X	
Compruebe el freno de estacionamiento			X	
Cambie el aceite del motor			X	X
Sustituya el filtro de aceite			X	X
Limpie el filtro de aire		X		

Mantenimiento	Mantenimiento diario antes de la puesta en marcha	Intervalo de mantenimiento en horas		
		25	50	100
Sustituya el filtro de aire				X
Sustituya el filtro de combustible.				X
Cambie la bujía				X
Compruebe el paralelismo del equipo de corte		X	X	
Lubrique el tensor de la correa.		X	X	
Lubrique la máquina de acuerdo con el programa de lubricación		O	O	
Lubrique todas las juntas y los ejes.		O	O	
Examine y ajuste los cables de la dirección		O	O	
Examine el silenciador y el deflector de calor		O	O	
Examine si hay daños en el equipo de corte			O	
Ajuste el freno de estacionamiento.			O	
Compruebe y ajuste el cable del acelerador			O	
Limpie las aletas de refrigeración del motor y la transmisión			O	
Limpie el motor y la transmisión			O	O
Compruebe las correas		O	O	
Compruebe la batería	*		O	
Compruebe la manguera de combustible Sustitúyala si es necesario				O
Cambie el aceite de la transmisión			O	O
Cambie el filtro de la transmisión			O	O

Limpieza del producto

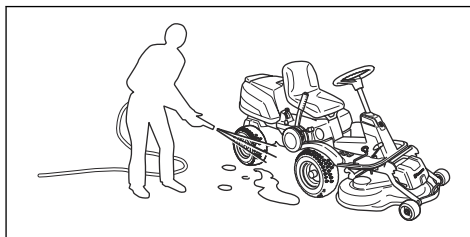


PRECAUCIÓN: No utilice un equipo de limpieza de alta presión o de vapor. El agua puede introducirse en los cojinetes y las conexiones eléctricas, y provocar corrosión y daños al producto.

Limpie el producto inmediatamente después de usarlo.

- No limpie las superficies calientes, como el motor, el silenciador y el sistema de escape. Espere hasta que las superficies estén frías y, a continuación, retire la hierba o la suciedad.
- Antes de limpiar con agua, limpie con un cepillo. Retire la hierba cortada y la suciedad de los elementos siguientes y sus zonas adyacentes: transmisión, toma de aire de la transmisión y motor.
- Use agua corriente de una manguera para limpiar el producto. No utilice un equipo de limpieza a alta presión.

- No dirija el agua hacia los componentes eléctricos o los cojinetes. El detergente generalmente aumenta el daño.
- Para limpiar el equipo de corte, vuelva a colocarlo en la posición de servicio y límpielo con una manguera.
- Cuando el producto esté limpio, arranque el equipo de corte durante un corto período para drenar el agua restante.



Limpieza del motor y el silenciador

Mantenga el motor y el silenciador limpios, sin restos de hierba ni suciedad. Los restos de hierba impregnados de combustible o aceite en el motor pueden aumentar el riesgo de incendio y el riesgo de que el motor se caliente en exceso. Deje que el motor se enfríe antes de limpiarlo. Limpie con agua y un cepillo.

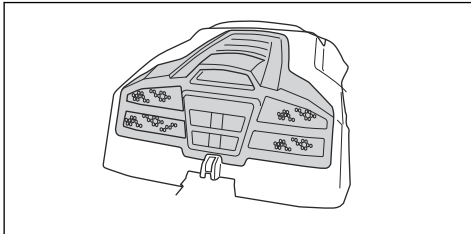
Los restos de hierba alrededor del silenciador se secan rápidamente y son un riesgo de incendio. Utilice un cepillo o retire los restos de hierba con agua cuando el silenciador esté frío.

Limpieza de la toma de aire frío del motor

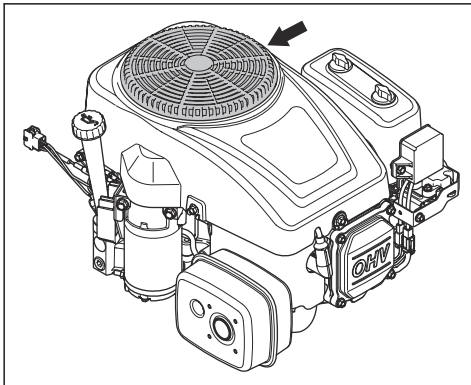


ADVERTENCIA: Pare el motor. La toma de aire frío gira y puede provocar lesiones en los dedos.

- Asegúrese de que la rejilla de toma de la cubierta del motor no esté obstruida. Retire la hierba y la suciedad con un cepillo.



- Eleve la cubierta del motor. Asegúrese de que la toma de aire de frío del motor no esté bloqueada. Retire la hierba y la suciedad con un cepillo.

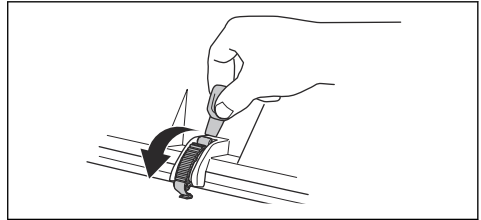


- Examine el conducto de aire que se encuentra en la superficie interior de la cubierta del motor. Asegúrese de que el conducto de aire esté limpio y no roza con el purificador de aire frío.

Para retirar las cubiertas

Para abrir la cubierta del motor

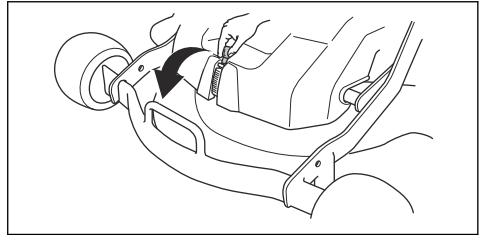
1. Incline el asiento hacia adelante.
2. Suelte la abrazadera de la cubierta del motor con la herramienta acoplada a la llave de contacto.



3. Incline la cubierta del motor hacia atrás.

Retirada de la cubierta delantera

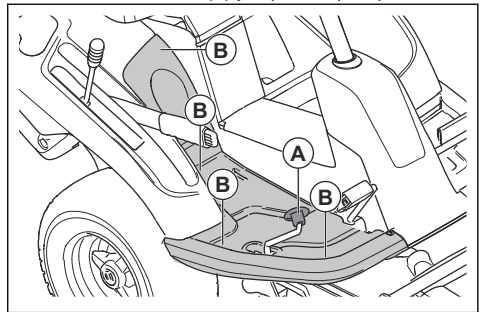
1. Suelte la abrazadera de la cubierta delantera con la herramienta acoplada a la llave de contacto.



2. Levante la cubierta delantera para extraerla.

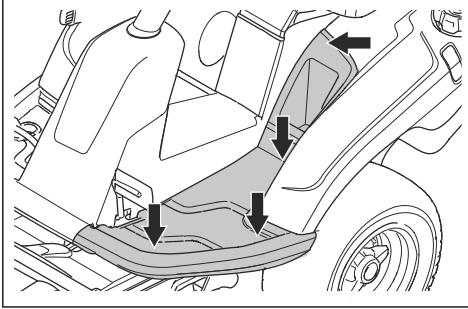
Retirada de la placa reposapiés derecha

1. Gire la perilla del pedal de marcha atrás (A) para extraerlo.
2. Retire los 4 tornillos (B) y la placa reposapiés.



Retirada de la placa reposapiés izquierda

- Retire los 4 tornillos y la placa reposapiés.

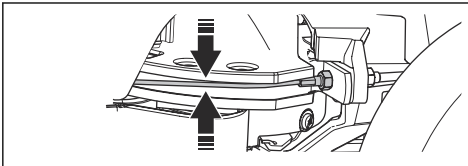


Examinar los cables de la dirección

La tensión de los cables de la dirección puede disminuir después de un período de tiempo. Esto hace que el ajuste de la dirección cambie.

Examine y ajuste los cables de la dirección de la siguiente manera:

1. Los cables de la dirección están apretados correctamente si se pueden mover manualmente 5 mm hacia arriba o hacia abajo en la ranura de la columna de dirección.



2. Si los cables están demasiado flojos, deje que un taller de servicio autorizado los ajuste.

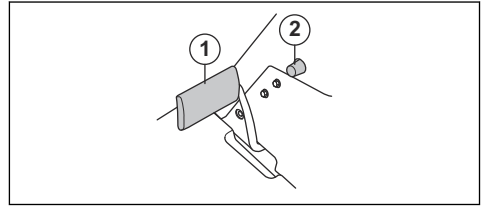
Comprobación del freno de estacionamiento

1. Estacione el producto sobre una superficie dura con pendiente.

Nota: No estacione el producto sobre una pendiente con hierba cuando realice una comprobación del freno de estacionamiento.

2. Pise el pedal del freno de estacionamiento (1).

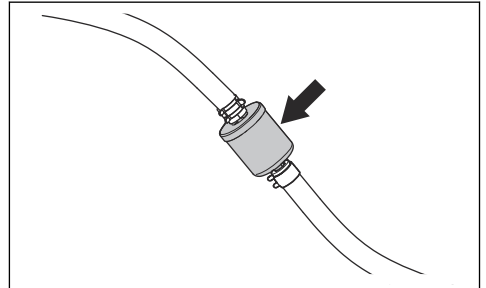
3. Pulse y mantenga pulsado el botón de bloqueo (2) y suelte el pedal del freno de estacionamiento mientras el botón está pulsado.



4. Si el producto empieza a moverse, deje que un taller de servicio autorizado ajuste el freno de estacionamiento.
5. Pise el pedal del freno de estacionamiento nuevamente para soltar el freno de estacionamiento.

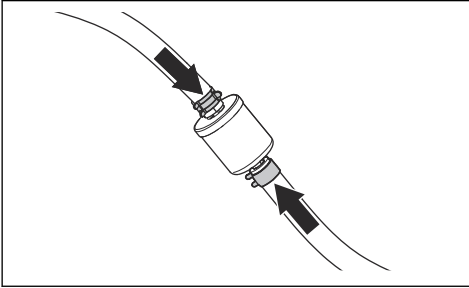
Volver a colocar el filtro de combustible

1. Abra la cubierta del motor para acceder al filtro de combustible.
2. Comprima la manguera del depósito de combustible para evitar fugas.
3. Aleje las presillas de manguera del filtro de combustible con un par de alicates planos.
4. Retire el filtro de combustible de los extremos de las mangueras. Puede producirse una pequeña fuga de combustible.



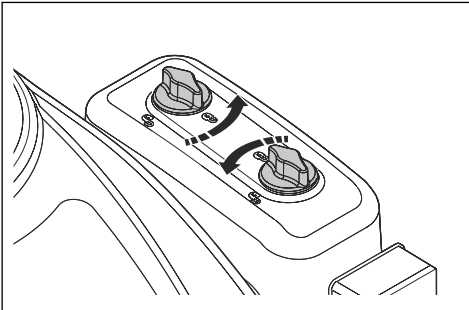
5. Presione el nuevo filtro de combustible en los extremos de las mangueras. Aplique líquido detergente a los extremos del filtro de combustible para facilitar la conexión.

- Empuje las presillas de manguera contra el filtro de combustible.

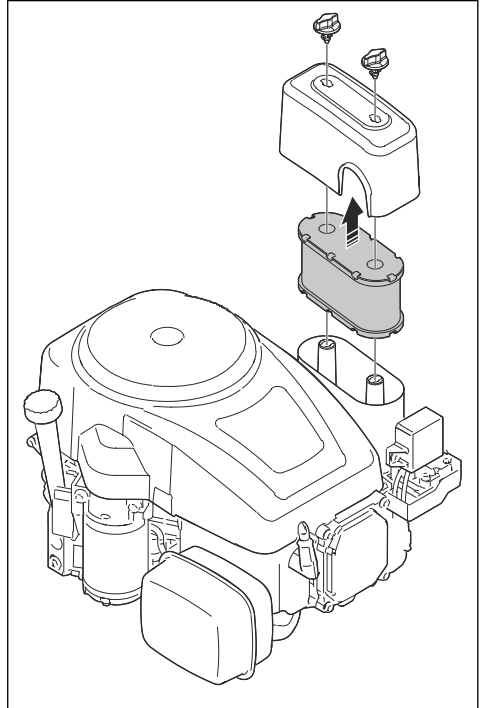


Sustitución del filtro de aire

- Abra la cubierta del motor.
- Afloje los cierres que sujetan la cubierta del filtro de aire y retire la cubierta.



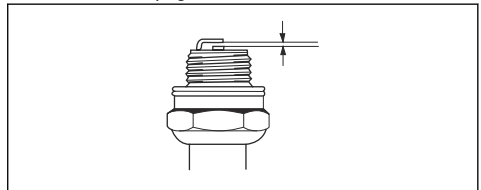
- Desmonte el cartucho del filtro de aire contenido en la caja del filtro.



- Para el montaje, efectúe el mismo procedimiento en el orden inverso.

Examen y sustitución de una bujía

- Abra la cubierta del motor.
- Quite el terminal del cable de encendido y limpie alrededor de la bujía.
- Retire la bujía con una llave para bujías.
- Examine la bujía. Sustitúyala si los electrodos están quemados o si el aislamiento presenta grietas o daños. Si la bujía no está dañada, límpiela con un cepillo de acero.
- Mida la distancia entre los electrodos y asegúrese de que es la correcta. Consulte la sección *Datos técnicos en la página 60*.



- Doble el electrodo lateral para ajustar la distancia entre los electrodos.

- Vuelva a colocar la bujía y gírela a mano hasta que alcance su asiento.
- Apriete la bujía con la llave para bujías hasta que la arandela quede comprimida.
- Apriete una bujía usada $\frac{1}{8}$ de vuelta más, y una bujía nueva $\frac{1}{4}$ de vuelta más.



PRECAUCIÓN: Unas bujías mal apretadas pueden causar daños en el motor.

- Vuelva a colocar el terminal del cable de encendido.

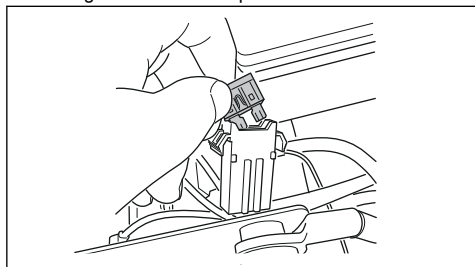


PRECAUCIÓN: No intente arrancar el motor si se ha desconectado la bujía o el cable de encendido.

Sustitución del fusible principal

Un fusible fundido se identifica por un conector quemado.

- Abra la cubierta del motor. El fusible principal está en un soporte situado frente a la batería.
- Extraiga el fusible del soporte.



- Cambie el fusible fundido por uno nuevo del mismo tipo, de patillas planas y 15 A.
- Vuelva a colocar las cubiertas.

Si el fusible principal se funde de nuevo en un breve período después de sustituirlo, hay un cortocircuito. Repare el cortocircuito antes de utilizar el producto de nuevo. Deje que un taller de servicio homologado le ayude.

Carga de la batería

- Cargue la batería si está demasiado baja como para arrancar el motor.
- Utilice un cargador de baterías estándar.



PRECAUCIÓN: No utilice un cargador de refuerzo o un amplificador de arranque. Causará daños en el sistema eléctrico del producto.

- Antes de poner en marcha el motor, desconecte siempre el cargador.

Arranque de emergencia del motor

Si la batería está demasiado baja como para arrancar el motor, puede utilizar cables de puente para realizar un arranque de emergencia. Este producto tiene un sistema de 12 V con conexión a tierra negativa. El producto que se utilice para el arranque de emergencia debe tener también un sistema de 12 V con conexión a tierra negativa.

Conexión de los cables de puente

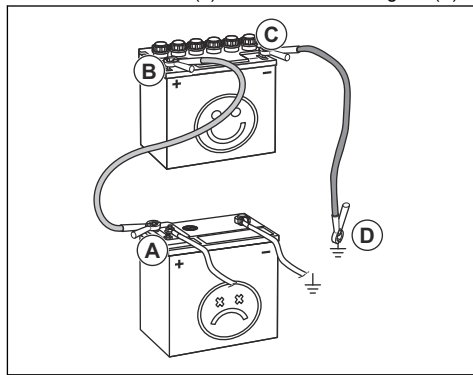


ADVERTENCIA: Existe riesgo de explosión debido a gases explosivos procedentes de la batería. No conecte el terminal negativo de una batería totalmente cargada al terminal negativo de una batería descargada, ni los coloque cerca.



PRECAUCIÓN: No utilice la batería de su producto para arrancar otros vehículos.

- Desmonte la cubierta del motor.
- Retire la cubierta de la batería.
- Conecte un extremo del cable rojo al terminal de batería POSITIVO (+) de la batería descargada (A).



- Conecte el otro extremo del cable rojo al terminal de batería POSITIVO (+) de la batería totalmente cargada (B).



ADVERTENCIA: No cortocircuite los extremos del cable rojo contra el chasis.

- Conecte uno de los extremos del cable negro al terminal de batería NEGATIVO (-) de la batería totalmente cargada (C).
- Conecte el otro extremo del cable negro a un punto de MASA DEL CHASIS (D), lejos del depósito de combustible y la batería.
- Vuelva a colocar las cubiertas.

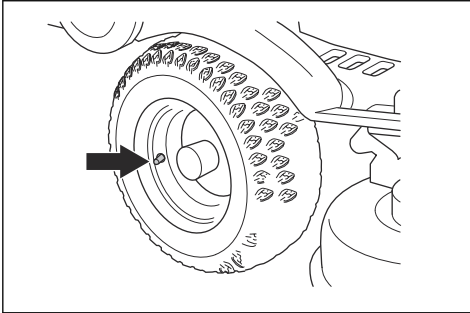
Retirada de los cables de puente

Nota: Retire los cables de puente siguiendo una secuencia opuesta a la de conexión.

1. Quite el cable NEGRO del chasis.
2. Quite el cable NEGRO de la batería totalmente cargada.
3. Quite el cable ROJO de las 2 baterías.

Presión de los neumáticos

La presión de los neumáticos correcta es de 60 kPa (0,6 bares / 8,5 PSI) en las 4 ruedas.

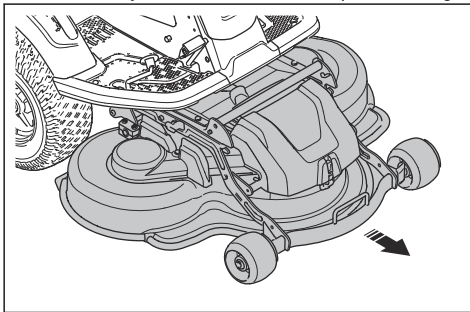


Colocar el equipo de corte en posición de servicio

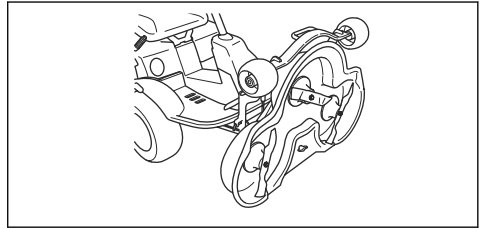


ADVERTENCIA: El muelle tensor de la correa de transmisión puede romperse y causar lesiones. Utilice gafas protectoras.

1. Lleve a cabo los pasos del 1 al 9 de *Retirada y fijación del equipo de corte en la página 41*.
2. Sujete el borde delantero del equipo de corte con las dos manos y tire hacia afuera hasta que se detenga.

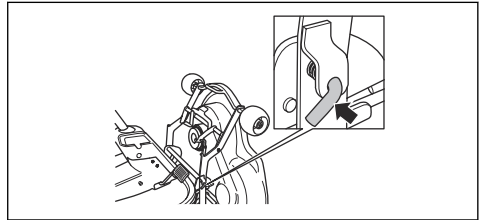


3. Levante el equipo de corte en posición vertical hasta que se oiga un clic. El equipo de corte se bloquea automáticamente en la posición vertical.

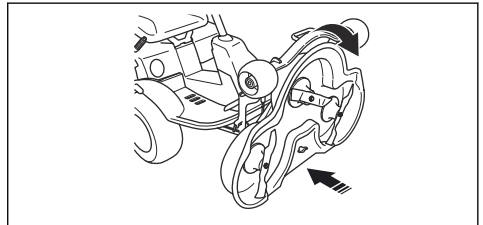


Colocación del equipo de corte en posición de corte

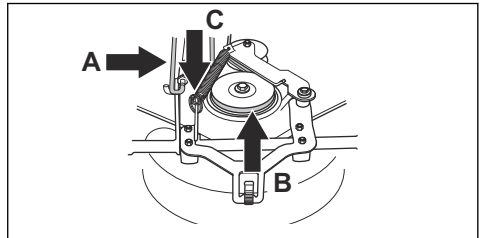
1. Sujete el borde delantero del equipo de corte con la mano izquierda.
2. Afloje el bloqueo con la mano derecha.



3. Doble hacia abajo el equipo de corte y presiónelo hasta que se detenga.



4. Levante el tirante de la altura de corte (A) de su soporte y colóquelo en el orificio.



5. Coloque la correa de transmisión (B) en su posición.

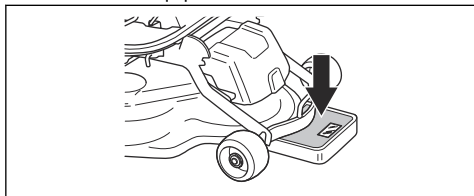
Nota: Encontrará información sobre la posición de la correa de transmisión en el interior de la cubierta del equipo de corte.

6. Vuelva a colocar en su posición el muelle de tensión (C) para tensar la correa de transmisión.
7. Monte la cubierta delantera.
8. Mueva la palanca de la altura de corte de la posición de servicio a una de las posiciones con un número.

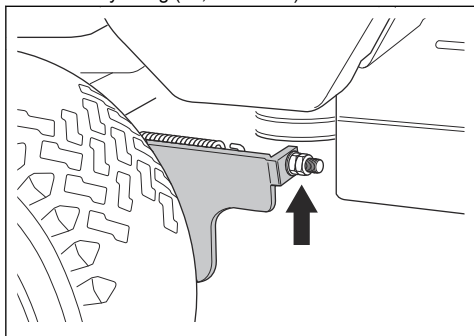
Examen y ajuste de la presión sobre el suelo del equipo de corte

Una presión sobre el suelo correcta garantiza que el equipo de corte se pueda mover por la superficie sin presionarla demasiado.

1. Asegúrese de que la presión de aire de los neumáticos es de 60 kPa (0,6 bares / 9,0 psi).
2. Estacione el cortacésped en una superficie nivelada.
3. Baje el equipo de corte a la posición de corte.
4. Coloque una báscula de baño debajo del borde delantero del equipo de corte.



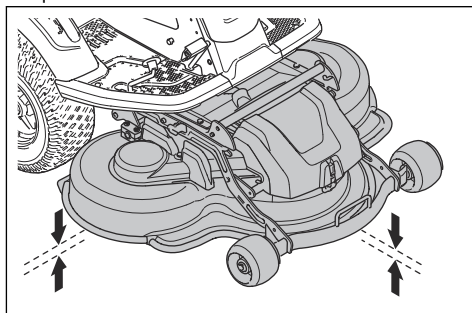
5. Para asegurarse de que no se aplica peso sobre las ruedas de apoyo, coloque un bloque de madera entre el bastidor y la báscula de baño.
6. Para ajustar la presión sobre el suelo, gire los tornillos de ajuste ubicados detrás de las ruedas delanteras a los lados izquierdo y derecho.
7. Gire los tornillos de los lados izquierdo y derecho hasta que la presión sobre el suelo se encuentre entre 12 y 15 kg (26,5-33 libras).



Comprobación del paralelismo del equipo de corte

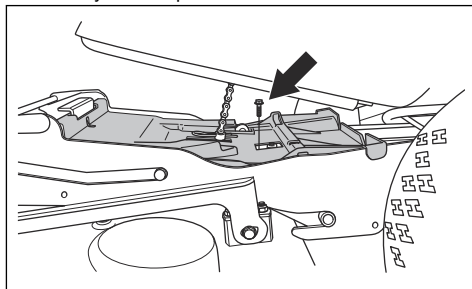
1. Asegúrese de que la presión de aire de los neumáticos es la correcta. Consulte la sección *Presión de los neumáticos en la página 52*.
2. Estacione el cortacésped en una superficie nivelada.

3. Baje el equipo de corte a la posición de corte.
4. Coloque la palanca de la altura de corte en la posición intermedia.
5. Mida la distancia entre el suelo y los bordes delantero y trasero del equipo de corte. Asegúrese de que el borde trasero está 2-4 mm (1/8") más alto que el delantero.

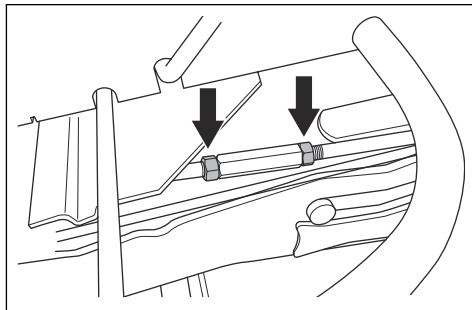


Ajuste del paralelismo del equipo de corte

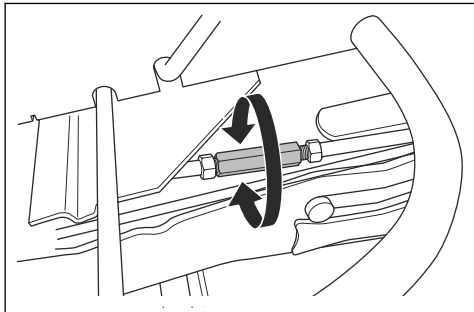
1. Retire la cubierta delantera y la placa reposapiés derecha.
2. Retire los tornillos que sujetan la protección de la correa y retire la protección de la correa.



3. Afloje las tuercas del puntal del mecanismo de elevación.



- Gire puntal del mecanismo de elevación para estirar el tirante o hacerlo más corto. Extienda el tirante para elevar el borde trasero de la cubierta. Acorte el tirante para bajar el borde trasero de la cubierta.



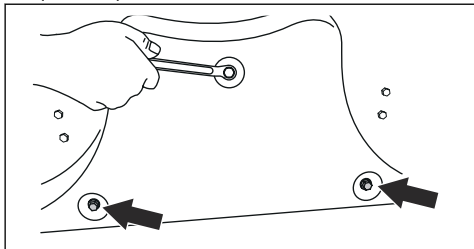
- Apriete las tuercas del puntal del mecanismo de elevación cuando haya realizado el ajuste.
- Revise el paralelismo. Consulte *Comprobación del paralelismo del equipo de corte en la página 53*.
- Fije la protección de la correa y apriete los tornillos.
- Fije la placa reposapiés derecha y la cubierta delantera.

Extracción del tapón de BioClip

- Quite el tapón BioClip para cambiar un equipo de corte Combi de BioClip a descarga trasera de hierba.

Retirada y colocación del tapón BioClip en el equipo de corte

- Coloque el equipo de corte en la posición de servicio. Consulte la sección *Colocar el equipo de corte en posición de servicio en la página 52*.
- Extraiga los 3 tornillos que sujetan el tapón BioClip y quite el tapón.



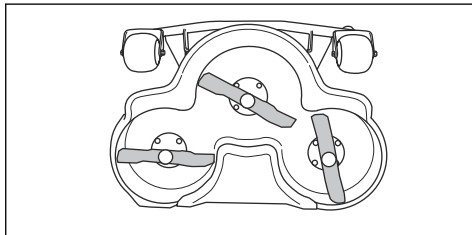
- Coloque 1 tornillo M8x15 mm en el orificio superior del tapón BioClip para evitar dañar las roscas.
- Coloque el equipo de corte en la posición de corte.
- Coloque el tapón BioClip siguiendo la secuencia opuesta.

Examinar las cuchillas



PRECAUCIÓN: Unas cuchillas dañadas o mal equilibradas pueden causar daños al producto. Sustituya las cuchillas dañadas. Deje que un taller de servicio homologado le ayude a afilar y equilibrar las cuchillas romas.

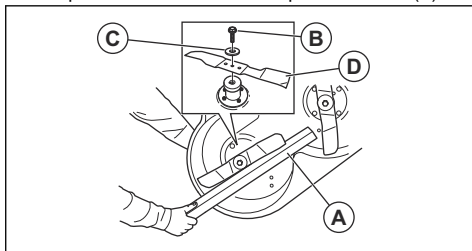
- Coloque el equipo de corte en la posición de servicio.
- Observe las cuchillas para ver si están dañadas y, si es necesario, afilarlas.



- Apriete los pernos de las cuchillas con un par de apriete de 45–50 Nm.

Sustitución de las cuchillas

- Coloque el equipo de corte en la posición de servicio.
- Bloquee la cuchilla con un bloque de madera (A).



- Afloje y extraiga los pernos de la cuchilla (B), las arandelas (C) y la cuchilla (D).
- Monte la nueva cuchilla con los extremos en ángulo orientados al equipo de corte.

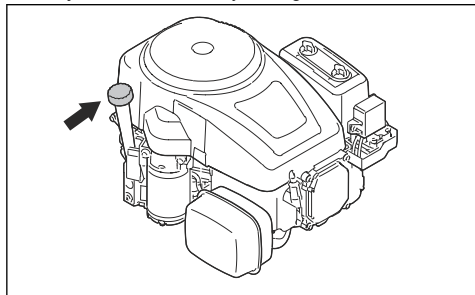


ADVERTENCIA: Usar un tipo de cuchillas incorrecto puede causar que el equipo de corte arroje objetos y causar así lesiones graves. Utilice únicamente las cuchillas que aparecen en *Datos técnicos en la página 60*.

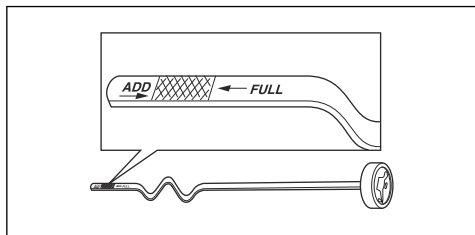
- Coloque la cuchilla, la arandela y el perno. Apriete el perno a un par de 45–50 Nm.

Comprobación del nivel de aceite del motor

1. Estacione el producto sobre un suelo nivelado y detenga el motor.
2. Eleve la cubierta del motor.
3. Afloje la varilla de nivel y extráigala.



4. Limpie el aceite de la varilla de nivel de aceite.
5. Vuelva a colocar la varilla y apriétela.
6. Afloje y saque la varilla de nivel y lea el nivel de aceite.
7. El nivel de aceite debe estar entre las marcas que aparecen en la varilla de nivel. Si el nivel está cerca de la marca de añadir "ADD", llene de aceite hasta la marca de totalmente lleno "FULL".



8. Reponga el aceite a través del orificio de la varilla de nivel. Reponga el aceite lentamente.

Nota: Consulte *Datos técnicos en la página 60* para ver los tipos de aceite de motor recomendados. No mezcle diferentes tipos de aceite.

9. Apriete la varilla de nivel correctamente antes de arrancar el motor. Ponga en marcha la máquina con el motor al ralentí durante 30 segundos aproximadamente. Pare el motor. Espere 30 segundos y vuelva a comprobar el nivel de aceite.

Cambio del aceite del motor y el filtro de aceite

Si el motor está frío, arránquelo durante 1 o 2 minutos antes de drenar el aceite del motor. Esto calienta el aceite del motor y facilita el drenaje.

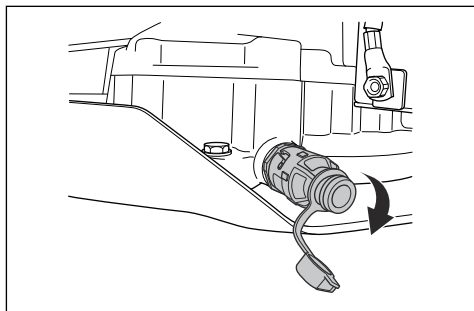


ADVERTENCIA: No deje el motor funcionando más de 1 o 2 minutos antes de drenar el aceite. El aceite del motor se calienta mucho y puede causar quemaduras graves. Deje que el motor se enfríe antes de vaciar el aceite del motor.

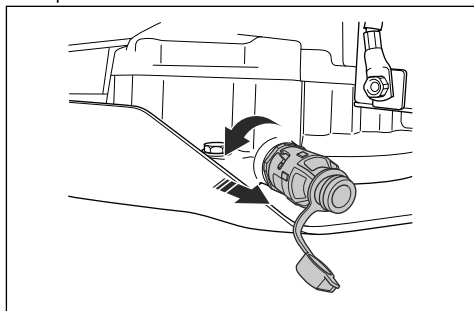


ADVERTENCIA: Si se derrama aceite del motor sobre el cuerpo, lávese con agua y jabón.

1. Abra la cubierta de plástico del extremo del tapón de vaciado.

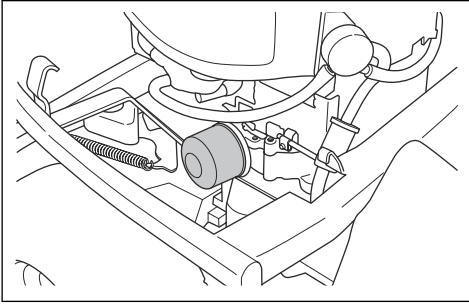


2. Para facilitar el drenaje del aceite sin derramarlo, acople, por ejemplo, una manguera de plástico al extremo del tapón de vaciado.
3. Coloque un recipiente debajo del tapón de vaciado de aceite.
4. Quite la varilla de nivel.
5. Gire el tapón de vaciado hacia la izquierda y tire de él para abrirlo.



6. Deje que el aceite se vierta en el recipiente.
7. Presione el tapón de vaciado y gírelo hacia la derecha para cerrarlo.
8. Retire la manguera de plástico y vuelva a colocar la cubierta del tapón en el tapón de vaciado del aceite.

9. Gire el filtro de aceite hacia la izquierda para extraerlo.



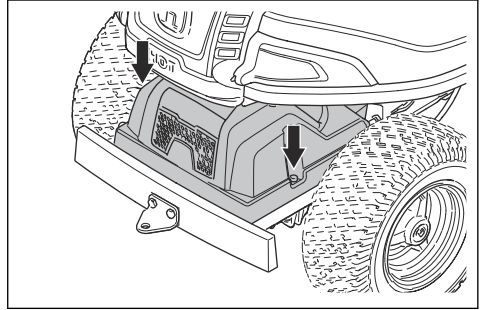
10. Lubrique ligeramente la junta de goma del nuevo filtro de aceite con aceite nuevo.
11. Para montar el filtro de aceite, gírelo hacia la derecha con la mano hasta que la junta de goma esté en su posición y, a continuación, apriete media vuelta más.
12. Llène con aceite nuevo según lo establecido en *Datos técnicos en la página 60*.
13. Arranque el motor y déjelo al ralentí durante 3 minutos.
14. Pare el motor y asegúrese de que el filtro de aceite no tenga fugas.
15. Llène el depósito con aceite para compensar el aceite del filtro de aceite nuevo.

Nota: Para un desechado seguro del aceite de motor usado, consulte *Eliminación en la página 59*.

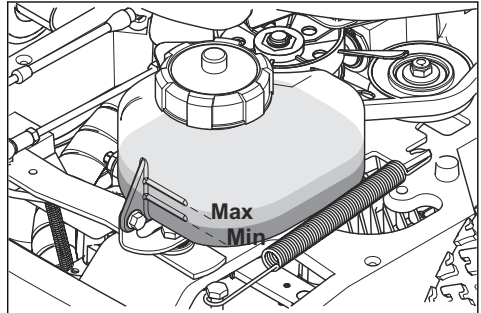
Comprobación del nivel de aceite de la transmisión

Nota: Compruebe el aceite de la transmisión cuando la transmisión se enfríe.

1. Sitúe el producto sobre una superficie horizontal.
2. Quite los tornillos, uno a cada lado, y quite la tapa de la transmisión.



3. Asegúrese de que el nivel de aceite del depósito de aceite de la transmisión se encuentra entre las 2 líneas horizontales del depósito.



4. Si el nivel de aceite estuviera por debajo de la línea inferior, añada aceite pero no llene el depósito por encima de la línea superior. Consulte el aceite recomendado en la sección *Datos técnicos en la página 60*.

Resolución de problemas

Programa de resolución de problemas

Si no puede encontrar una solución a sus problemas en este manual del propietario, hable con su taller de servicio de Husqvarna.

Problema	Causa
El motor de arranque no arranca el motor	El freno de estacionamiento no está accionado. Consulte <i>Aplicar y soltar el freno de estacionamiento en la página 45.</i>
	La palanca de elevación del equipo de corte se encuentra en la posición de corte. Consulte <i>Condiciones de arranque en la página 38.</i>
	El fusible principal está fundido. Consulte <i>Sustitución del fusible principal en la página 51.</i>
	El contacto está defectuoso.
	La conexión entre el cable y la batería no es buena. Consulte <i>Seguridad de la batería en la página 40.</i>
	La batería está demasiado débil. Consulte <i>Carga de la batería en la página 51.</i>
	El motor de arranque está defectuoso.
El motor no arranca cuando el motor de arranque arranca el motor	No hay combustible en el depósito de combustible. Consulte <i>Repostaje de combustible en la página 42.</i>
	La bujía está defectuosa.
	El cable de encendido está defectuoso.
	Hay suciedad en el carburador o la tubería de combustible.
El motor no funciona correctamente	La bujía está defectuosa.
	El carburador no está bien ajustado.
	El filtro de aire está obstruido. Consulte <i>Sustitución del filtro de aire en la página 50.</i>
	La ventilación del depósito de combustible está bloqueada.
	Hay suciedad en el carburador o la tubería de combustible.
Aparentemente el motor no recibe alimentación	El filtro de aire está obstruido. Consulte <i>Sustitución del filtro de aire en la página 50.</i>
	La bujía está defectuosa.
	Hay suciedad en el carburador o la tubería de combustible.
	El cable del acelerador está ajustado incorrectamente.
La transmisión no tiene suficiente potencia.	La toma de aire frío de la transmisión o las aletas de refrigeración están bloqueadas.
	El ventilador de la transmisión está dañado.
	No hay aceite en la transmisión o el nivel de aceite es demasiado bajo. Consulte <i>Comprobación del nivel de aceite de la transmisión en la página 56.</i>
La batería no se carga	La batería está defectuosa. Consulte <i>Seguridad de la batería en la página 40.</i>
	La conexión de los conectores de los cables de los terminales de la batería está en mal estado. Consulte <i>Seguridad de la batería en la página 40.</i>

Problema	Causa
Se producen vibraciones en el producto	Las cuchillas están flojas. Consulte <i>Examinar las cuchillas en la página 54</i> .
	Una cuchilla o más están desequilibradas. Consulte <i>Examinar las cuchillas en la página 54</i> .
	El motor está suelto.
El resultado del corte no es satisfactorio	Las cuchillas están romas. Consulte <i>Examinar las cuchillas en la página 54</i> .
	El césped está largo o húmedo. Consulte <i>Para obtener un buen resultado de corte en la página 45</i> .
	El equipo de corte está torcido.
	El equipo de corte presenta una obstrucción por hierba. Consulte <i>Limpieza del producto en la página 47</i> .
	La presión de los neumáticos es distinta en el lado derecho e izquierdo. Consulte <i>Presión de los neumáticos en la página 52</i> .
	El producto funciona a una velocidad demasiado alta. Consulte <i>Para obtener un buen resultado de corte en la página 45</i> .
	El régimen del motor es demasiado bajo. Consulte <i>Para obtener un buen resultado de corte en la página 45</i> .
	La correa de transmisión resbala.

Transporte, almacenamiento y eliminación

Transporte

- El producto es pesado y puede causar lesiones por aplastamiento. Tenga cuidado al cargarlo o descargarlo de un vehículo o remolque.
- Utilice solo un remolque homologado para el transporte del producto.
- Asegúrese de que conoce las normas de tráfico locales antes de transportar el producto en un remolque o circular por carretera.

Conexión segura del producto en un remolque para su transporte



ADVERTENCIA: El freno de estacionamiento no es suficiente para bloquear el producto durante el transporte. Conecte firmemente el producto en el remolque.

Equipo: 2 correas de tensión homologadas y 4 bloques con forma de cuña para las ruedas.

1. Active el freno de estacionamiento.
2. Fije las correas de tensión alrededor del bastidor o el vagón trasero.

3. Apriete las correas de tensión en el sentido de la parte trasera y delantera del remolque para fijar el producto.
4. Coloque los bloques de cuña delante y detrás de las ruedas traseras.

Remolque del producto

El producto tiene una transmisión hidrostática. Para evitar daños en la transmisión, remolque el producto solo distancias cortas y a baja velocidad.

Desacople la transmisión antes de remolcar el producto. Consulte la sección *Engranaje y desengranaje del sistema de transmisión en la página 43*.

Almacenamiento

Prepare el producto para guardarlo al final de la temporada, y si va almacenarlo durante más de 30 días. Si deja combustible en el depósito durante 30 días o más, las partículas pegajosas pueden atascar el carburador. Esto tendrá un efecto negativo en el funcionamiento del motor.

Para evitar la aparición de partículas pegajosas durante el almacenamiento, agregue un estabilizador. Si utiliza gasolina a base de alquilatos, no es necesario usar un estabilizador. Si utiliza gasolina estándar, no cambie a gasolina con alquilato. Esto puede provocar que las

piezas de goma sensibles se vuelvan duras. Añada un estabilizador al depósito o recipiente donde se almacena el combustible. Utilice siempre las proporciones de mezcla especificadas por el fabricante. Haga funcionar el motor durante un mínimo de 10 minutos después de agregar el estabilizador hasta que este llegue al carburador.



ADVERTENCIA: No guarde el producto con combustible en el depósito en interiores o en lugares con una mala ventilación. Existe peligro de incendio si los vapores del combustible entran en contacto con llamas desnudas, chispas o luces piloto, por ejemplo, de calderas de calefacción, depósitos de agua caliente y secadoras de ropa.



ADVERTENCIA: Retire la hierba, las hojas y otros materiales inflamables del producto para disminuir el riesgo de incendio. Deje que el producto se enfríe antes de volver a colocarlo en su lugar de almacenamiento.

-
- Limpie el producto; consulte *Limpieza del producto en la página 47*. Repare los daños en la pintura para evitar la corrosión.
 - Examine el producto por si hubiera piezas dañadas o desgastadas, y apriete las tuercas y tornillos flojos.
 - Desmonte la batería. Límpiela, cárguela y manténgala en un lugar fresco durante el almacenamiento.
 - Cambie el aceite del motor y deseche el aceite usado.
 - Vacíe el depósito de combustible. Arranque el motor y déjelo funcionar hasta que no haya restos de combustible en el carburador.

Nota: No vacíe el depósito de combustible ni el carburador si se ha añadido un estabilizador.

-
- Quite los tapones e introduzca aproximadamente una cucharada de aceite de motor en cada cilindro. Gire manualmente el eje del motor para distribuir el aceite y vuelva a colocar los tapones.
 - Lubrique todas las boquillas de engrase, las juntas y los ejes.
 - Guarde el producto en una zona limpia y seca, y cúbralo para mayor protección.
 - Su distribuidor puede proporcionarle una cubierta de protección para el almacenamiento o transporte de su producto.

Eliminación

- Las sustancias químicas pueden ser peligrosas y no deben verterse al suelo. Deseche siempre los productos químicos en su centro de servicio o en una ubicación adecuada para su eliminación.

- Cuando el producto se desgaste, envíelo al distribuidor o a centro de reciclaje adecuado.
- El aceite, los filtros de aceite, el combustible y la batería pueden ser perjudiciales para el medio ambiente. Respete los requisitos de reciclaje locales y las normas aplicables.
- No deseche la batería como residuo doméstico.
- Envíe la batería a un taller de servicio Husqvarna o deséchela en una ubicación de residuos para las baterías agotadas.

Datos técnicos

Datos técnicos

	R 214C
Dimensiones	
Longitud sin equipo de corte, mm	1960
Anchura sin equipo de corte, mm	883
Longitud con equipo de corte ⁶ , mm	2243
Anchura con equipo de corte ¹ , mm	994
Altura, mm	1120
Peso sin equipo de corte, con depósito vacío, kg	191
Peso con equipo de corte ¹ , con depósito vacío, kg	228
Distancia entre ejes, mm	887
Anchura de vía delantera, mm	712
Anchura de vía trasera, mm	627
Dimensiones de los neumáticos	16,5 × 6,0 × 8
Presión de aire, traseros y delanteros, kPa/bar/PSI	60/0,6/8,5
Máx. pendiente, grados °	10
Motor	
Marca/modelo	Husqvarna/HS 413AE
Potencia nominal del motor, kW ⁷	8,4
Cilindrada, cm ³	413
Régimen máximo del motor, rpm	3000 ± 100
Velocidad de avance, km/h	0-9
Velocidad de marcha atrás, km/h	0-6
Combustible, octanaje mín.	91
Volumen del depósito, litros	12
Aceite	Grado SF, SG, SH o SJ SAE40, SAE30, SAE10W-30, SAE10W-40 o SAE5W-20
Volumen de aceite con filtro incluido, litros	1,4
Volumen de aceite sin filtro, litros	1,2
Motor de arranque	Arranque eléctrico de 12 V

⁶ Medido con el equipo de corte Combi 94

⁷ La potencia de salida del motor indicada es la potencia neta media (a la velocidad especificada) de un motor de producción típico para el modelo de motor conforme a la norma SAE J1349 / ISO1585. Los motores fabricados en serie podrían presentar valores diferentes. La potencia de salida real del motor instalado en el producto final dependerá de la velocidad de funcionamiento, las condiciones medioambientales y otros valores.

	R 214C
Transmisión	
Marca	Tuff Torq
Modelo	K46H
Aceite, clase SF-CC	SAE 10W/40
Sistema eléctrico	
Tipo	12 V, negativo a tierra
Batería	12 V, 24 Ah
Bujía	HQT-9
Separación entre electrodos, mm/pulgada	0,75/0,030
Emisiones de ruido⁸	
Nivel de potencia de sonido medido ¹⁰⁸ dB(A)	98
Nivel de potencia acústica garantizada, dB(A)	99
Niveles acústicos⁹	
Nivel de presión sonora en el oído del operario, dB(A)	84
Niveles de vibraciones¹⁰	
Nivel de vibración en el volante, m/s ²	2,5
Nivel de vibración en el asiento, m/s ²	0,7
Equipo de corte	
Tipo	Combi 94

Equipo de corte	Combi 94
Anchura de corte, mm	940
Altura de corte, 10 posiciones, mm	25-75
Peso, kg	37
Cuchilla	
Longitud de las cuchillas, mm	358
Referencia	579 65 25-10



ADVERTENCIA: Utilizar un equipo de corte que no esté homologado para el producto puede causar proyección de

objetos a alta velocidad, lo que podría causar lesiones graves. Utilice

⁸ Emisiones sonoras en el entorno medidas como potencia acústica (L_{WA}) según la directiva 2000/14/CE.

⁹ Nivel de presión sonora conforme a la norma EN ISO 5395. Los datos referidos del nivel de presión sonora tienen una dispersión estadística habitual (desviación típica) de 1,2 dB (A).

¹⁰ Nivel de vibración conforme a EN ISO 5395. Los datos referidos del nivel de vibración poseen una dispersión estadística habitual (desviación típica) de 0,2 m/s² (volante) y 0,8 m/s² (asiento).

exclusivamente los tipos de equipo de corte especificados en este manual.

Puntos de control	
Paralelismo, equipo de corte con altura de corte en la posición 1	2-4 mm (0,079-0,157 pulg.)
Control de la altura de corte en la posición 1	25 ± 2 mm (0,98 ± 0,079 in)
Distancia entre la placa de soporte y la correa de transmisión	3-6 mm (1/8-1/4 in)
Distancia entre el brazo de palanca del tensor de correa y la guía de la correa, equipo desacoplado	17 ± 5 mm (7/16 ± 3/16 in)

Reproducir	
Cable del freno	1 mm (0,040 in)
Cable de los pedales de la transmisión hidrostática	0 mm (0 in)

Servicio técnico

Servicio técnico

Haga una comprobación anual en un centro de servicio autorizado para asegurarse de que el producto funcione de manera segura y sin problemas durante la temporada alta. El mejor momento para realizar el mantenimiento o la revisión de este producto es la temporada baja.

Al enviar un pedido de piezas de repuesto, proporcione información sobre el año de compra, el modelo, el tipo y el n.º de serie.

Utilice siempre piezas de repuesto originales.

Declaración de conformidad CE

Declaración de conformidad CE

Husqvarna AB, SE-561 82 Huskvarna, Suecia, tel.: +46-36-146500, garantiza que el **tractor cortacésped Husqvarna R 214C**, a partir del número de serie del año 2020 en adelante (el año se indica claramente en la placa de características, seguido del n.º de serie), cumple con las siguientes disposiciones de la DIRECTIVA DEL CONSEJO:

- Del 17 de mayo de 2006 "relativa a máquinas", **2006/42/CE**.
- de 26 de febrero de 2014 "relativa a compatibilidad electromagnética", **2014/30/UE**.
- Del 8 de junio de 2011 sobre la "restricción de utilización de determinadas sustancias peligrosas" **2011/65/UE**.
- de 8 de mayo de 2000 "relativa a emisiones sonoras en el entorno", **2000/14/CE**.

Para obtener más información acerca de las emisiones sonoras y la anchura de segado, consulte los datos técnicos.

Se han aplicado las siguientes normas armonizadas:

EN ISO 5395-1:2013, EN ISO 5395-1:2013/A1:2018, EN ISO 5395-3:2013, EN ISO 5395-3:2013/A1:2017, EN ISO 5395-3:2013/A2:2018, EN ISO 14982:2009, EN ISO 12100:2010

Si no se indica lo contrario, las normas anteriormente indicadas constituyen las últimas versiones publicadas.

Organismo notificado: **0404, RISE SMP Svensk Maskinprovning AB, Box 7035, SE-750 07 Uppsala** ha elaborado informes sobre la evaluación de la conformidad con el Anexo VI de la DIRECTIVA DEL CONSEJO del 8 de mayo de 2000 "referente a las emisiones sonoras en el entorno" 2000/14/CE.

Huskvarna, 2020-12-11



Claes Losdal, Director de desarrollo/productos para el jardín (representante autorizado de Husqvarna AB y responsable de la documentación técnica).

ÍNDICE

Introdução.....	64	Resolução de problemas.....	88
Segurança.....	68	Transporte, armazenamento e eliminação.....	90
Montagem.....	73	Especificações técnicas.....	92
Funcionamento.....	74	Assistência.....	94
Manutenção.....	78	Declaração CE de conformidade.....	95

Introdução

Inspeção pré-entrega e números de produto

assinada do documento de inspeção pré-entrega do seu concessionário.

Nota: Foi realizada uma inspeção pré-entrega deste produto. Certifique-se de que recebe uma cópia

Informação de contacto da oficina autorizada:	
Este manual do utilizador pertence ao produto com o número de produto/número de série:	
/	
Motor:	
Transmissão:	

Descrição do produto

O produto é um trator corta-relva. Os pedais de marcha em frente e de marcha-atrás permitem que o utilizador ajuste a velocidade gradualmente. O produto é utilizado com uma plataforma de corte 2 em 1 com tampão de trituração.

Finalidade

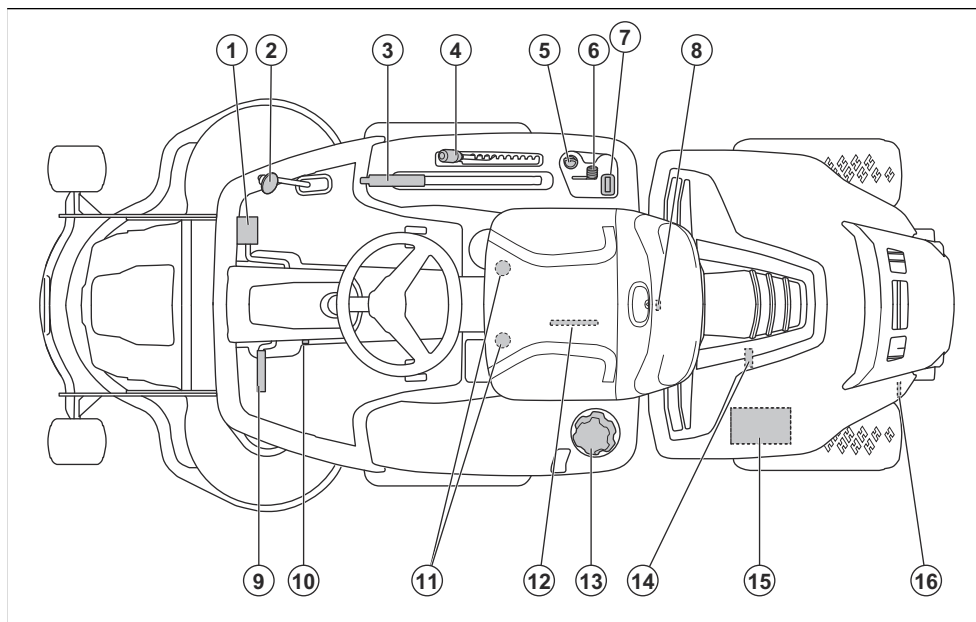
O produto foi concebido para cortar relva em áreas abertas e planas em jardins e zonas residenciais. Fixe um acessório opcional para utilizar o produto para

outras tarefas. Fale com o seu revendedor Husqvarna para obter mais informações sobre os acessórios disponíveis.

Faça um seguro para o seu produto

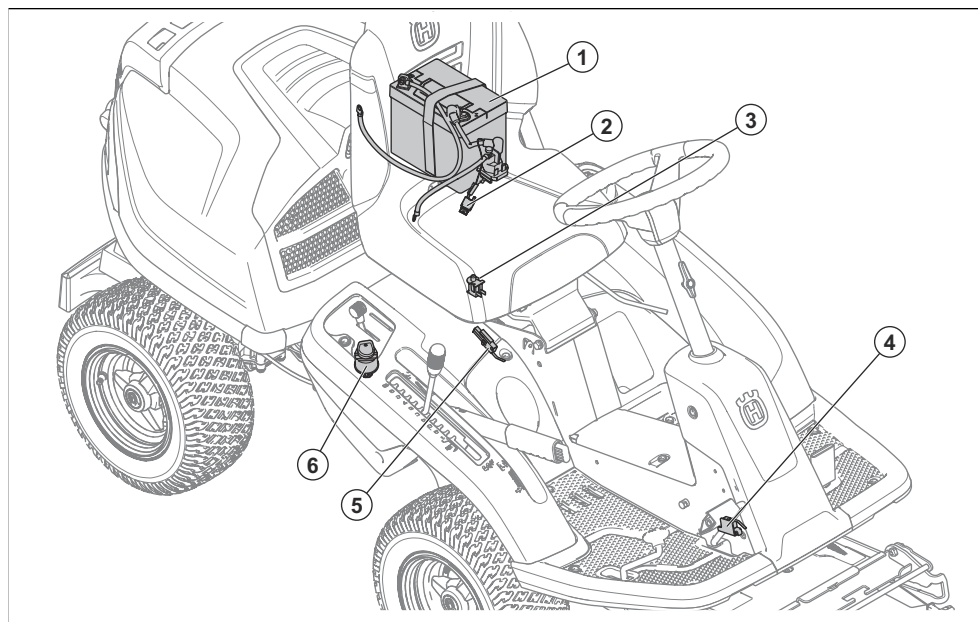
Certifique-se de que o seu seguro cobre o seu novo produto. Fale com a sua companhia de seguros caso não tenha a certeza. Recomendamos um seguro totalmente abrangente que inclua proteção contra terceiros, incêndios, danos, roubo e responsabilidade civil.

Vista geral do produto



- | | |
|---|---|
| 1. Pedal de avanço | 9. Pedal do travão de estacionamento |
| 2. Pedal de marcha-atrás | 10. Botão de bloqueio do travão de estacionamento |
| 3. Alavanca de elevação da bancada de corte | 11. Ajuste do banco |
| 4. Alavanca da altura de corte | 12. Etiqueta de tipo com códigos para leitura |
| 5. Fechadura da ignição | 13. Tampa do depósito de combustível |
| 6. Acelerador | 14. Bujão de drenagem do óleo |
| 7. Contador de horas | 15. Bateria |
| 8. Fechadura da cobertura do motor | 16. Alavanca para engatar ou desengatar a transmissão |

Vista geral do sistema elétrico



1. Bateria
2. Fusível principal
3. Controle de presença do operador (OPC)
4. Microinterruptor, travão de estacionamento
5. Interruptor de segurança da alavanca de elevação
6. Fechadura da ignição

Husqvarna Connect

O manual do utilizador e mais informações sobre o produto encontram-se disponíveis na aplicação Husqvarna Connect. A Husqvarna Connect é uma aplicação gratuita para o seu dispositivo móvel. Consulte *Começar a utilizar Husqvarna Connect na página 74*.

Controlo de presença do operador (OPC)

O OPC é ativado quando o operador se levanta do banco. O motor e a transmissão das lâminas param se as lâminas estiverem ativadas ou o travão de estacionamento não estiver aplicado. Consulte *Condições de arranque na página 70*.

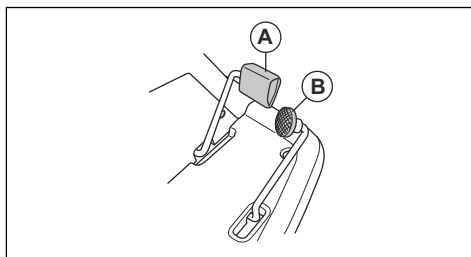
Contador de horas

O contador de horas apresenta o número de horas de funcionamento do motor. O tempo passado com a ignição ligada mas com o motor desligado não é

registado. O último dígito indica décimos de hora (6 minutos).

Pedais de marcha em frente e marcha-atrás

A velocidade é gradualmente ajustada com os 2 pedais. O pedal esquerdo (A) é utilizado para a marcha em frente e o pedal direito (B) é utilizado para a marcha-atrás. O produto para quando os pedais são libertados.



Bancada de corte

As plataformas de corte para este produto são plataformas de corte combinadas com BioClip. O BioClip corta a relva e torna-a em fertilizante. As plataformas de corte combinadas também podem ser utilizadas sem o BioClip. Sem o BioClip, a relva é projetada para a parte traseira.

Símbolos no produto



AVISO: A utilização indevida ou incorreta poderá provocar ferimentos graves ou até mesmo a morte do utilizador ou de terceiros.



Leia o manual do utilizador com atenção e certifique-se de que compreende as instruções antes de utilizar o produto.



Lâminas rotativas. Mantenha as partes do seu corpo afastadas.



Aviso: peças rotativas. Mantenha as partes do seu corpo afastadas.



Tenha cuidado com objetos projetados e ricochetes.



Nunca utilize o produto junto a animais ou pessoas, em especial crianças.



Olhe para trás antes e durante as deslocções em marcha-atrás.



Nunca corte relva ao longo de um declive. Não corte relva em terrenos com um declive superior a 10°. Consulte *Cortar relva em declives na página 71*.



Nunca transporte passageiros no produto ou equipamento.



Marcha em frente.

N

Neutro.



Marcha-atrás.



Travão de estacionamento.



Este produto está em conformidade com as diretivas aplicáveis da CE.



Emissões de ruído para o meio ambiente de acordo com a directiva da Comunidade Europeia. As emissões do produto são indicadas no capítulo de Especificações técnicas e na etiqueta.



Utilize sempre protetores acústicos aprovados.



Desligue o motor.

START

Ligue o motor.



Velocidade do motor – rápida.



Velocidade do motor – lenta.



Combustível.



Máx. 10% de etanol.



Altura de corte.



A posição de manutenção da alavanca da altura de corte.



As lâminas estão ativadas.



As lâminas não estão ativadas.



Posição de transporte da plataforma de corte.



Posição de funcionamento da plataforma de corte.



Ativar e desativar o sistema de acionamento.



Nível do óleo.



Código para leitura

yyyywwxxxx

A etiqueta de tipo apresenta o número de série. **aaaa** é o ano de fabrico e **ss** é a semana de fabrico.

Nota: Os restantes símbolos/autocolantes existentes no produto dizem respeito a requisitos para homologação em algumas áreas comerciais.

Emissões Euro V



ATENÇÃO: A adulteração do motor anula a aprovação deste produto pela UE.

Responsabilidade pelo produto

Como referido nas leis de responsabilidade pelo produto, não somos responsáveis por danos causados pelo nosso produto se:

- o produto tiver sido incorretamente reparado.
- o produto tiver sido reparado com peças que não sejam do fabricante ou que não sejam aprovadas pelo fabricante.
- o produto tiver um acessório que não seja do fabricante ou que não seja aprovado pelo fabricante.
- o produto não tiver sido reparado por um centro de assistência autorizado ou por uma autoridade aprovada.

Segurança

Definições de segurança

Os avisos, as precauções e as notas são utilizados para indicar partes especialmente importantes do manual.



ATENÇÃO: Utilizado no caso de existir risco de ferimento ou morte para o utilizador ou transeuntes, se não forem respeitadas as instruções do manual.



CUIDADO: Utilizado se existir risco de danos para o produto, para outros materiais ou para a área adjacente, se não forem respeitadas as instruções do manual.

Nota: Utilizado para disponibilizar informações adicionais necessárias numa determinada situação.

Instruções de segurança gerais



ATENÇÃO: Este produto pode amputar mãos e pés, e projetar objetos. Se não respeitar as instruções de segurança, tal pode resultar em ferimentos graves ou morte.



ATENÇÃO: Não continue a utilizar o produto com um equipamento de corte danificado. O equipamento de corte danificado pode projetar objetos e causar ferimentos graves ou a morte. Substitua as lâminas danificadas de imediato.



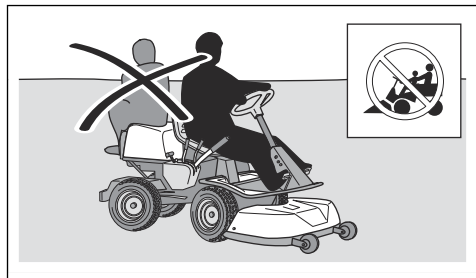
ATENÇÃO: Este produto produz um campo eletromagnético durante o funcionamento. Em determinadas circunstâncias, este campo pode interferir com o funcionamento de implantes médicos ativos ou passivos. Para diminuir o risco de ferimentos graves ou mortais, recomendamos que os portadores de implantes médicos consultem o seu médico e o fabricante do implante antes de utilizar este produto.



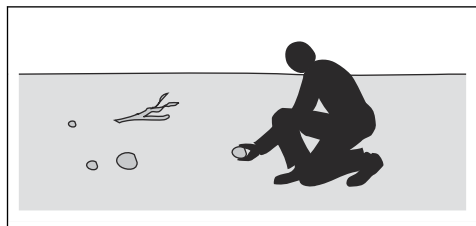
ATENÇÃO: Leia as instruções de aviso que se seguem antes de utilizar o produto.

- Seja sempre cuidadoso e use o seu senso comum. Evite todas as situações que considere estarem para além das suas capacidades. Se não se sentir seguro quanto aos procedimentos de funcionamento após a leitura do manual do utilizador, consulte um especialista antes de continuar.
- Leia e compreenda o manual do utilizador e as instruções presentes no produto com atenção antes de o ligar.
- Aprenda a utilizar o produto e os respetivos controlos em segurança, e saiba como parar o produto rapidamente.
- Aprenda a reconhecer os autocolantes de segurança.
- Mantenha o produto limpo para se certificar de que consegue ler bem os sinais e os autocolantes.

- Tenha em atenção que o utilizador é responsável pelos acidentes que incluam outras pessoas ou a respetiva propriedade.
- Não transporte passageiros. O produto apenas pode ser utilizado por uma pessoa.



- Não deixe o produto sem supervisão com o motor ligado. Pare sempre as lâminas, aplique o travão de estacionamento, pare o motor e retire a chave de estacionamento antes de deixar a máquina sem supervisão.
- Apenas utilize o produto durante o dia ou em condições de boa iluminação. Mantenha o produto a uma distância de segurança de orifícios ou outras irregularidades no solo. Tenha atenção com outros possíveis riscos.
- Não utilize o produto em condições atmosféricas desfavoráveis, por exemplo, nevoeiro, chuva, localizações molhadas ou com humidade, ventos fortes, frio intenso, risco de trovoada, etc.
- Procure e marque as pedras e outros objetos fixos para prevenir colisões.
- Retire da área quaisquer objetos como pedras, brinquedos, fios, etc., que possam ficar presos ou ser projetados.



- Não permita a utilização ou a manutenção do produto por crianças ou outras pessoas sem aprovação para utilizar o produto. A legislação local pode regular a idade do utilizador permitida.
- Certifique-se de que ninguém permanece nas imediações do produto quando ligar o motor, ativar a transmissão ou começar a deslocar o produto.
- Esteja atento ao trânsito ao cortar junto a uma estrada ou atravessar uma estrada.
- Não utilize o produto quando estiver cansado, sob o efeito de álcool ou drogas, tiver tomado medicamentos ou outros produtos que possam afetar negativamente a sua visão, atenção,

capacidade de discernimento ou o seu controlo físico.

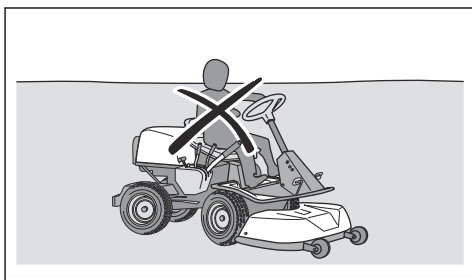
- Estacione sempre o produto numa superfície nivelada com o motor parado.

Instruções de segurança relativamente a crianças



ATENÇÃO: Leia as instruções de aviso que se seguem antes de utilizar o produto.

- Podem ocorrer acidentes graves se não prestar atenção às crianças que se encontram nas proximidades do produto. As crianças podem ser atraídas pelo produto e pelo corte da relva. É muito provável que as crianças não se mantenham onde as viu pela última vez.
- Mantenha as crianças afastadas da área a cortar. Certifique-se de que está presente um adulto responsável pelas crianças.
- Mantenha-se vigilante e pare o produto caso se encontrem crianças na zona de trabalho. Tenha muito cuidado perto de cantos, arbustos, árvores ou outros objetos que previnam uma visão clara.
- Antes e durante a deslocação do produto em marcha-atrás, olhe para trás e para baixo para se certificar de que não estão presentes crianças pequenas nas proximidades do produto.
- Não permita o transporte das crianças. Podem cair e sofrer ferimentos graves ou prevenir a realização de manobras seguras do produto.
- Não permita que as crianças operem o produto.



Instruções de segurança para funcionamento



ATENÇÃO: Não toque no motor ou no sistema de escape durante e diretamente após o funcionamento. O motor e o sistema de escape ficam muito quentes durante o funcionamento. Risco de queimaduras, incêndio e danos na propriedade ou nas áreas adjacentes. Ao utilizar o produto, mantenha-se afastado de arbustos e outros objetos.



ATENÇÃO: Leia as instruções de aviso que se seguem antes de utilizar o produto.

- Olhe sempre para baixo e para trás antes e durante as deslocações em marcha-atrás. Esteja atento aos obstáculos de todas as dimensões.
- Diminua a velocidade antes de fazer uma curva.
- Pare as lâminas quando se deslocar em zonas que não irá cortar.



CUIDADO: Leia as instruções de precaução que se seguem antes de utilizar o produto.

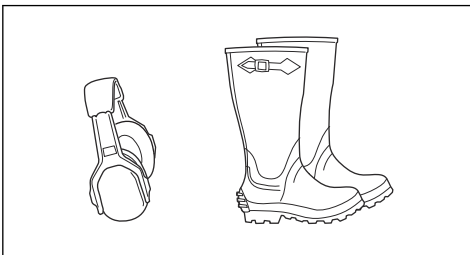
- Antes de utilizar o produto, limpe a relva e a sujidade da admissão de ar frio do motor. Se a admissão de ar frio estiver obstruída, existe o risco de danos no motor.
- Desloque-se com cuidado junto a pedras e outros objetos de maiores dimensões e certifique-se de que as lâminas não embatem nos objetos.
- Não utilize o produto ao longo de objetos. Se utilizar o produto ao longo ou em algum objeto, pare e examine o produto e a plataforma de corte. Se necessário, repare quaisquer danos antes de recomeçar.

Equipamento de proteção pessoal



ATENÇÃO: Leia as instruções de aviso que se seguem antes de utilizar o produto.

- Utilize equipamento de proteção pessoal aprovado ao utilizar o produto. O equipamento de proteção pessoal não previne totalmente os ferimentos mas diminui a respetiva gravidade em caso de acidente. Obtenha ajuda junto do seu concessionário para selecionar o equipamento certo.
- Utilize sempre protetores acústicos aprovados. A exposição prolongada a ruídos pode provocar danos auditivos permanentes.
- Utilize sempre sapatos ou botas de proteção. Recomenda-se calçado com biqueira de aço. Não utilize o produto se estiver descalço.



- Utilize luvas sempre que necessário, por exemplo, ao fixar, examinar ou limpar o equipamento de corte.
- Não utilize vestuário largo, joias ou outros itens que possam ficar presos nas peças móveis.
- Mantenha equipamentos de primeiros socorros e um extintor de incêndio sempre à mão.

Dispositivos de segurança no produto



ATENÇÃO: Leia as instruções de aviso que se seguem antes de utilizar o produto.

- Não utilize o produto com dispositivos de segurança defeituosos. Verifique regularmente os dispositivos de segurança. Se os dispositivos de segurança estiverem defeituosos, fale com a sua oficina autorizada Husqvarna.
- Não realize modificações aos dispositivos de segurança. Não utilize o produto se as placas de proteção, as coberturas de proteção, os interruptores de segurança e outros dispositivos de proteção não estiverem fixos ou estiverem defeituosos.

Verifique a fechadura da ignição

- Ligue e desligue o motor para verificar a fechadura da ignição. Consulte as secções *Arrancar o motor na página 76* e *Parar o motor na página 77*.
- Certifique-se de que o motor arranca quando roda a chave de ignição para a posição START.
- Certifique-se de que o motor para imediatamente quando roda a chave de ignição na posição STOP.

Condições de arranque

São necessárias estas condições para ligar o motor:

- A bancada de corte estiver levantada e o travão de estacionamento estiver aplicado.

O motor tem de parar nas seguintes situações:

- A bancada de corte está em baixo e o condutor levanta-se do banco.
- A bancada de corte é levantada, o travão de estacionamento não está aplicado e o condutor levanta-se do banco.

Tente ligar o motor sem uma das condições mencionadas acima. Altere as condições e tente novamente. Efetue esta verificação diariamente.

Verificar o pedal de marcha em frente e o pedal de marcha-atrás

1. Certifique-se de que os pedais de marcha em frente e marcha-atrás não estão bloqueados e podem ser utilizados livremente.
2. Solte o pedal de marcha em frente para travar.
3. Certifique-se de que o produto trava quando liberta o pedal de marcha em frente.

4. Para obter mais potência de travagem, prima o pedal de marcha-atrás.
5. Efetue o mesmo procedimento para o pedal de marcha-atrás.

Travão de estacionamento



ATENÇÃO: Se o travão de estacionamento não funcionar, o produto pode começar a deslocar-se e causar ferimentos ou danos. Certifique-se de que examina e ajusta regularmente o travão de estacionamento.

Consulte *Verificar o travão de estacionamento na página 81.*

Silenciador

O silenciador mantém o mais baixo nível de ruído possível e afasta os gases de escape do utilizador.

Não utilize o produto se o silenciador estiver defeituoso ou estiver em falta. Um silenciador defeituoso aumenta o nível de ruído e o risco de incêndio.



ATENÇÃO: O silenciador fica muito quente durante e após a utilização e quando o motor funciona ao ralenti. Tenha cuidado junto de materiais inflamáveis e/ou vapores para evitar incêndios.

Verificar o silenciador

- Examine o silenciador regularmente para se certificar de que está bem fixo e não está danificado.

Coberturas de proteção

As coberturas de proteção danificadas ou em falta aumentam o risco de ferimentos em peças móveis ou superfícies quentes. Verifique as coberturas de proteção antes de utilizar o produto. Certifique-se de que as coberturas de proteção estão bem fixas e que não têm fissuras nem outros danos. Substituir as coberturas danificadas.

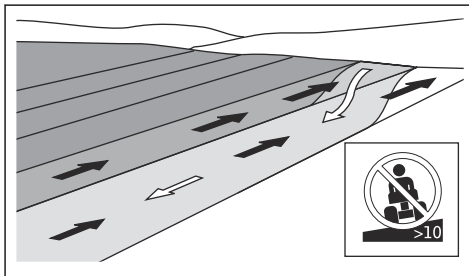
Cortar relva em declives



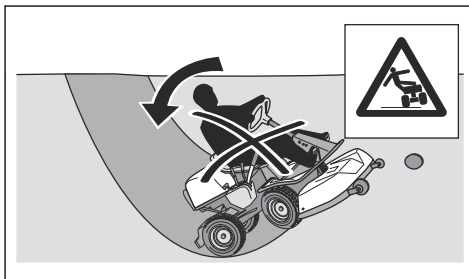
ATENÇÃO: Leia as instruções de aviso que se seguem antes de utilizar o produto.

- Cortar relva em declives aumenta o risco de perda de controlo e de capotamento do produto. Estas ocorrências podem resultar em ferimentos ou morte. É necessário ter cuidado ao cortar relva em todos os declives. Se não conseguir sair de um declive ou se não se sentir em segurança, não corte nesse local.
- Retire pedras, ramos e outros obstáculos.
- Corte a relva a subir e a descer o declive, e nunca de lado a lado.

- Não corte um declive a descer com a bancada de corte levantada.
- Não utilize o produto em terrenos com um declive superior a 10°.



- Não arranque nem pare num declive.
- Desloque-se devagar e suavemente em declives.
- Não faça mudanças súbitas de velocidade ou de direção.
- Não vire mais do que o necessário. Vire lenta e gradualmente ao descer um declive. Desloque-se a baixa velocidade. Vire o volante com cuidado.
- Tenha atenção para não se deslocar sobre trincheiras, orifícios e lombas. Existe um risco mais elevado de capotamento do produto num piso desnivelado. A relva longa pode ocultar obstáculos.
- Não corte a relva próximo de bermas, valas ou inclinações. O produto pode capotar subitamente se uma das rodas se deslocar ao longo da bermas de um declive íngreme ou de uma vala, ou se uma bermas ceder. Se o produto cair em água, existe o risco de afogamento.



- Não corte relva molhada. É escorregadia e os pneus podem perder a aderência, provocando a derrapagem do produto.
- Não coloque o pé no chão para tentar estabilizar o produto.
- Desloque-se com muito cuidado se um acessório ou outro objeto que torne o produto menos estável estiver fixo.
- Para aumentar a estabilidade, coloque pesos nas rodas. Para mais informações, fale com o revendedor.

Segurança no manuseamento do combustível



ATENÇÃO: Tenha cuidado com o combustível. É muito inflamável e pode causar ferimentos e danos na propriedade.



ATENÇÃO: Leia as instruções de aviso que se seguem antes de utilizar o produto.

- Não encha o depósito de combustível no interior.
- A gasolina e os respetivos vapores são venenosos e muito inflamáveis. Tenha cuidado com a gasolina para evitar ferimentos ou incêndios.
- Não retire a tampa do depósito de combustível nem encha o depósito de combustível com o motor em funcionamento.
- Deixe o motor arrefecer antes de voltar a abastecer o combustível.
- Não fume quando estiver a encher o depósito de combustível.
- Não encha o depósito de combustível junto a faíscas ou chamas abertas.
- Se existirem fugas no sistema de combustível, não ligue o motor até que as fugas estejam reparadas.
- Não encha acima do nível de combustível recomendado. Se o depósito estiver demasiado cheio, o calor do motor e o sol faz com que o combustível se expanda e transborde.
- Não encha demasiado. Se derramar combustível no produto, limpe o derrame e aguarde que seque antes de ligar o motor. Se derramar na sua roupa, troque-a.
- Armazene o combustível apenas em recipientes aprovados.
- Armazene o produto e o combustível de forma a não existir o risco de danos causados por fugas ou vapores de combustível.
- Drene o combustível de um recipiente aprovado numa zona exterior e afastado de chamas abertas.

Segurança da bateria



ATENÇÃO: Uma bateria danificada pode causar uma explosão e provocar ferimentos. Se a bateria estiver deformada ou danificada, fale com uma oficina autorizada Husqvarna.



ATENÇÃO: Leia as instruções de aviso que se seguem antes de utilizar o produto.

- Utilize óculos de proteção quando estiver perto de baterias.
- Não utilize relógios, joias ou outros objetos metálicos perto da bateria.

- Mantenha a bateria fora do alcance de crianças.
- Carregue a bateria num espaço com um bom fluxo de ar.
- Ao carregar a bateria, mantenha os materiais inflamáveis a uma distância mínima de 1 m.
- Elimine as baterias substituídas. Consulte o capítulo *Eliminação na página 91*.
- A bateria pode emitir gases explosivos. Não fume perto da bateria. Mantenha a bateria afastada de chamas abertas e faíscas.

Instruções de segurança para manutenção



ATENÇÃO: O produto é pesado e pode causar ferimentos ou danos na propriedade ou na área adjacente. Não efetue a manutenção do motor ou da plataforma de corte sem reunir as seguintes condições:

- O motor está desligado.
 - O produto está estacionado numa superfície nivelada.
 - O travão de estacionamento encontra-se aplicado.
 - A chave de ignição foi removida.
 - A bancada de corte está desengatada.
 - Os cabos da ignição foram removidos das velas.
-



ATENÇÃO: Os gases de escape do motor contêm monóxido de carbono, um gás inodoro, tóxico e altamente perigoso. Não utilize o produto em espaços fechados ou em espaços com um fluxo de ar insuficiente.



ATENÇÃO: Leia as instruções de aviso que se seguem antes de utilizar o produto.

- Para obter o melhor desempenho e segurança, efetue regularmente a manutenção do produto, de acordo com o esquema de manutenção. Consulte o capítulo *Esquema de manutenção na página 78*.
- Os choques elétricos podem causar ferimentos. Não toque nos cabos com o motor em funcionamento. Não efetue um teste de funcionamento no sistema de ignição com os seus dedos.
- Não ligue o motor se as coberturas de proteção tiverem sido removidas. Existe um risco elevado de ferimentos causados por peças quentes ou em movimento.
- Deixe o produto arrefecer antes de efetuar a manutenção perto do motor.
- As lâminas são afiadas e podem causar cortes. Coloque proteções contra o vento em redor das

lâminas ou utilize luvas de proteção quando trabalhar nas mesmas.

- Coloque sempre a plataforma de corte na posição de manutenção para efetuar a respetiva limpeza. Não estacione o produto perto da berma de uma vala ou de um declive para ter acesso à plataforma de corte.



CUIDADO: Leia as instruções de precaução que se seguem antes de utilizar o produto.

- Não inverta o motor se a vela de ignição ou o cabo de ignição tiverem sido retirados.

- Certifique-se de que aperta corretamente todos os parafusos e porcas, e que o equipamento está em bom estado.
- Não faça alterações ao ajuste dos reguladores. Se a velocidade do motor for demasiado elevada, os componentes do produto ficar danificados. Consulte a secção *Especificações técnicas na página 92* para saber qual é a velocidade do motor mais elevada permitida.
- O produto é apenas aprovado com o equipamento fornecido ou recomendado pelo fabricante.

Montagem

Introdução

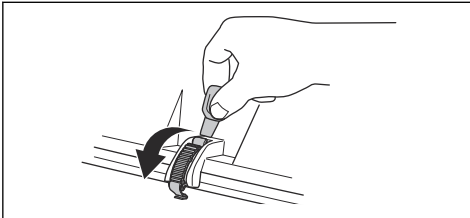


ATENÇÃO: A mola de tensão da correia da transmissão pode quebrar e causar ferimentos. Utilize óculos de proteção ao fixar ou remover a bancada de corte.

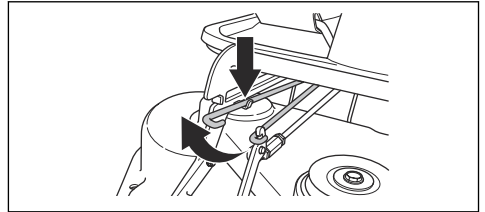
Leia as instruções de montagem no manual do proprietário com atenção. Uma etiqueta no interior da cobertura dianteira do produto também indica como fixar e remover a bancada de corte.

Retirar e fixar a plataforma de corte

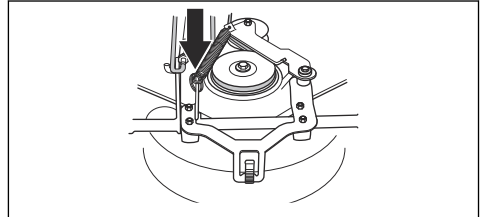
1. Estacione o produto num piso nivelado.
2. Aplique o travão de estacionamento.
3. Coloque a alavanca da altura de corte na posição de manutenção.
4. Solte o grampo da cobertura dianteira com a ferramenta que está presa à chave de ignição e remova a cobertura.



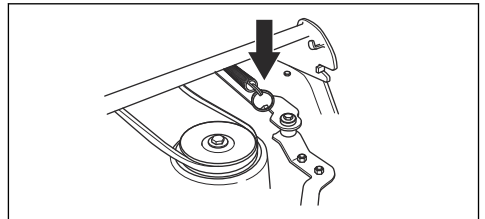
5. Levante o fixador da altura de corte e coloque-o no suporte do fixador da altura de corte.



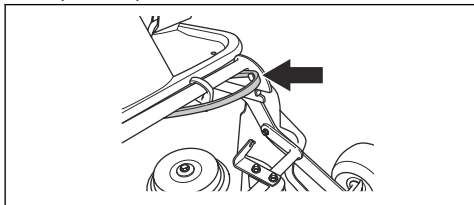
6. Puxe o olhal da mola para desapertar a mola da tensão da correia da transmissão.



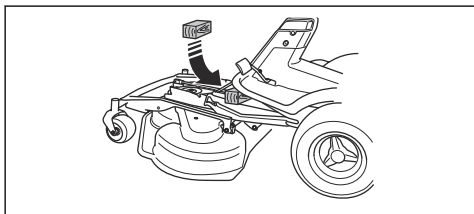
7. Coloque o olhal da mola no suporte do braço de tensão da correia da transmissão.



8. Retire a correia da transmissão e coloque-a no respetivo suporte.

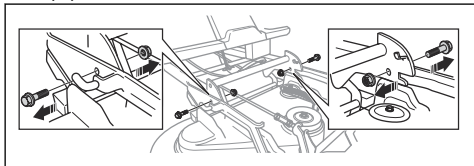


9. Coloque um bloco de madeira entre a estrutura do equipamento e o chassi. Isto garante que a plataforma de corte não se desprende quando for retirada.

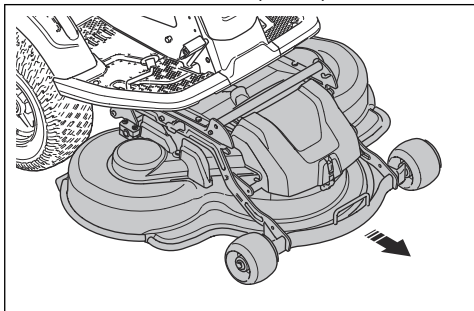


ATENÇÃO: Tenha cuidado. Risco de ferimentos se a mão ficar presa entre a estrutura do equipamento e o chassi.

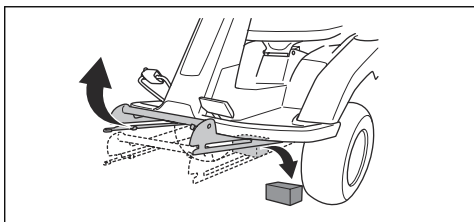
10. Remova os 2 parafusos da estrutura do equipamento.



11. Segure na extremidade dianteira da plataforma de corte com as duas mãos e puxe-a para fora.



12. Remova o bloco de madeira.



13. Fixe a plataforma de corte na sequência oposta.

Funcionamento

Introdução



ATENÇÃO: Antes de utilizar o produto, tem ler e compreender o capítulo sobre segurança.

Começar a utilizar Husqvarna Connect

1. Transfira a aplicação Husqvarna Connect para o seu dispositivo móvel.
2. Registe-se na aplicação Husqvarna Connect.
3. Siga os passos das instruções na aplicação Husqvarna Connect para ligar e registar o produto.

Encher o depósito de combustível



ATENÇÃO: A gasolina é muito inflamável. Tenha cuidado e reabasteça no exterior; consulte *Segurança no manuseamento do combustível na página 72*.



ATENÇÃO: Não utilize o depósito de combustível como área de suporte.



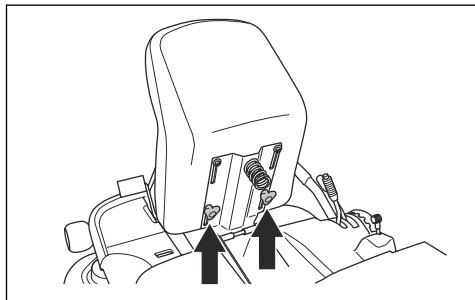
CUIDADO: O tipo errado de combustível pode resultar em danos no motor.

O motor funciona a gasolina com um índice de octanas mínimo de 91 RON (87 AKI), não misturada com óleo. Recomendamos uma gasolina biodegradável com base em alquilatos. Não utilize gasolina que contenha mais de 10% de etanol.

- Verifique o nível de combustível antes de cada utilização e volte a encher, se necessário.
- Não encha completamente o depósito de combustível. Mantenha um espaço mínimo de 2,5 cm.

Ajustar o banco

O banco pode ser inclinado para a frente. Também pode ser ajustado no sentido do comprimento. Desaperte as pegas debaixo do banco para o ajustar para a frente ou para trás.

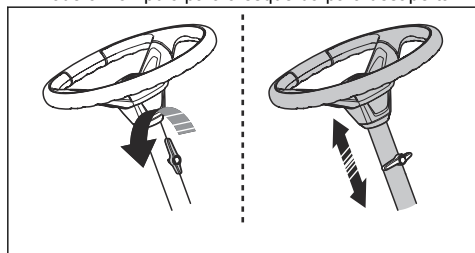


Ajustar a altura do volante



ATENÇÃO: Não ajuste a altura do volante durante o funcionamento do produto.

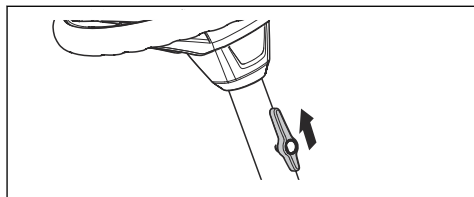
1. Rode o manípulo para a esquerda para desapertar.



2. Ajuste a altura do volante.
3. Rode o manípulo para a direita para apertar.



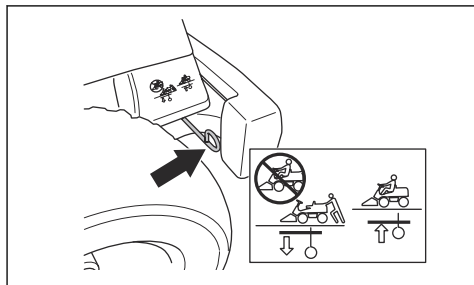
CUIDADO: Certifique-se de que a extremidade comprida do manípulo aponta para cima.



Ativar e desativar o sistema de acionamento

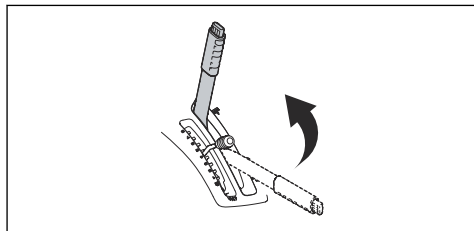
Para deslocar o produto com o motor desligado, o sistema de acionamento tem de estar desativado. Puxe totalmente a alavanca do sistema de acionamento para fora para desativar o acionamento no eixo. Empurre totalmente a alavanca do sistema de acionamento para ativar o acionamento no eixo. Não utilize posições intermédias.

A alavanca do sistema de acionamento situa-se atrás da roda traseira esquerda.



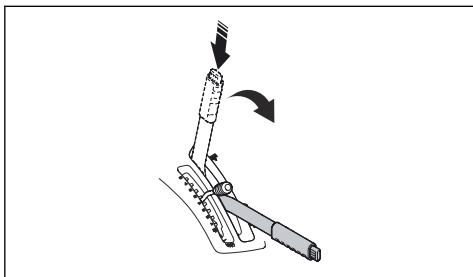
Levantar e baixar a bancada de corte

Para levantar a bancada de corte para a posição de transporte, puxe a alavanca de elevação para trás. Se o motor estiver ligado, as lâminas param de rodar automaticamente.



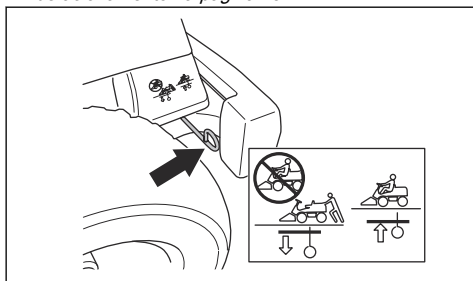
Para baixar a bancada de corte para a posição de corte, prima o botão de bloqueio e desloque a alavanca de

elevação para a frente. Se o motor estiver ligado, as lâminas começam a rodar automaticamente.

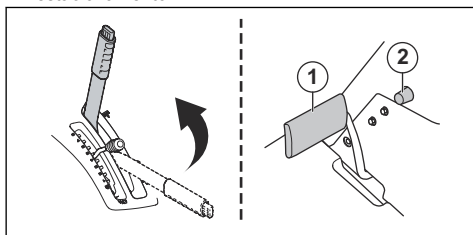


Arrancar o motor

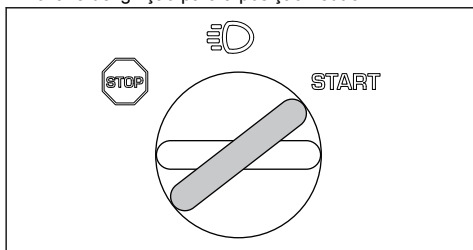
1. Certifique-se de que o sistema de acionamento está ativo; consulte a secção *Ativar e desativar o sistema de acionamento na página 75*.



2. Levante a bancada de corte e aplique o travão de estacionamento.

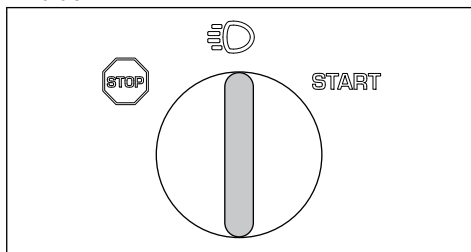


3. Rode a chave de ignição para a posição START.
4. Quando o motor arrancar, solte imediatamente a chave de ignição para a posição neutra.

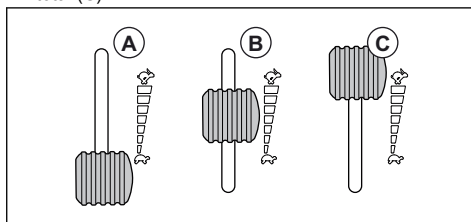


Nota: Não utilize o dispositivo de arranque durante mais de 5 segundos de cada vez. Se o motor não arrancar, aguarde 15 segundos antes de tentar novamente.

5. Rode a chave para a posição das luzes para ligar os faróis.



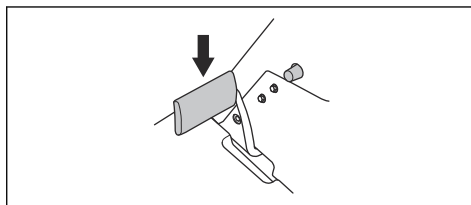
6. Deixe o motor trabalhar na aceleração intermédia (B) durante 3 a 5 minutos antes de aplicar uma carga pesada.
7. Empurre o acelerador para a posição de aceleração total (C).



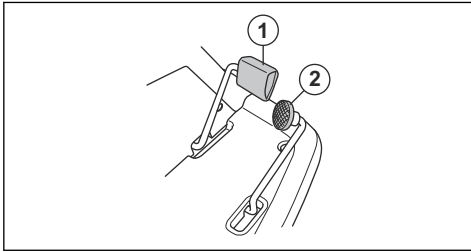
Nota: Ativar as lâminas quando o motor está em velocidade máxima causa esforço nas correias da transmissão. Não aplique a aceleração total até que a plataforma de corte tenha sido descida para a posição de corte.

Utilizar o produto

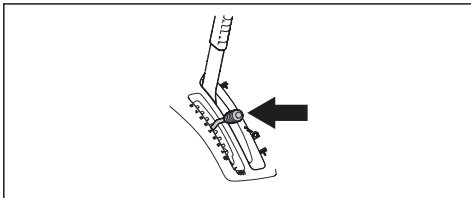
1. Ligue o motor.
2. Pressione o pedal do travão de estacionamento e, em seguida, solte-o para libertar o travão de estacionamento.



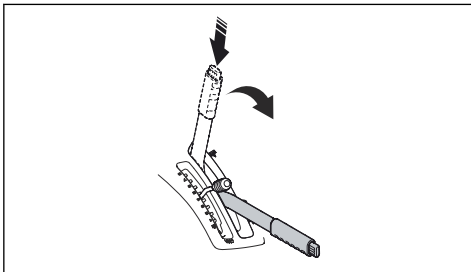
3. Pressione um dos pedais de velocidade com cuidado. A velocidade aumenta proporcionalmente à pressão aplicada no pedal. Utilize o pedal (1) para a marcha em frente e o pedal (2) para a marcha-atrás.



4. Solte o pedal para travar.
5. Selecione a altura de corte (1 a 10) com a alavanca da altura de corte.

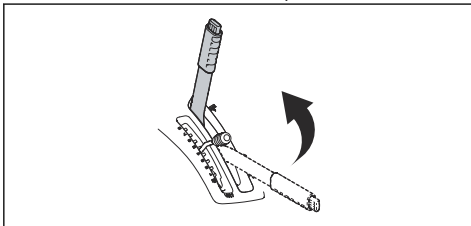


6. Prima o botão de bloqueio na alavanca de elevação da plataforma de corte e baixe-a para a posição de corte.

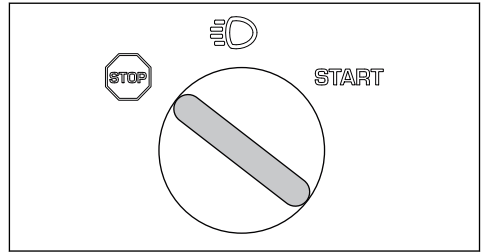


Parar o motor

1. Puxe a alavanca de elevação da bancada de corte para trás, para a posição bloqueada, para levantar a bancada de corte. As lâminas param de rodar.



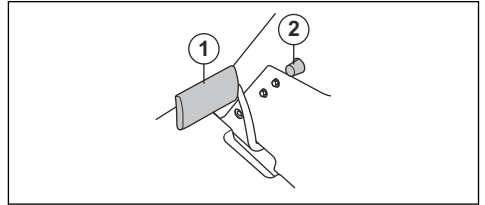
2. Rode a chave de ignição para a posição STOP.



3. Quando o produto parar, aplique o travão de estacionamento.

Aplicar e soltar o travão de estacionamento

1. Pressione o pedal do travão de estacionamento (1).
2. Mantenha premido o botão de bloqueio (2).



3. Mantenha premido o botão e solte o pedal do travão de estacionamento.
4. Para soltar o travão de estacionamento, volte a pressionar o respetivo pedal.

Obter bons resultados de corte

- Para obter o melhor desempenho, efetue regularmente a manutenção do produto, de acordo com o esquema de manutenção. Consulte *Esquema de manutenção na página 78*.
- Não corte um relvado molhado. A relva molhada pode levar a um corte de fraca qualidade.
- Comece com uma altura de corte elevada e diminua-a gradualmente.
- Corte com lâminas a uma velocidade de rotação elevada (para a velocidade máxima permitida do motor, consulte *Especificações técnicas na página 92*). Desloque o produto para a frente a uma velocidade baixa. Se a relva não for muito alta nem muito espessa, pode obter bons resultados de corte também a velocidades mais elevadas.
- Corte a relva num padrão irregular.
- Para obter o melhor resultado de corte, corte a relva com frequência e utilize a função Bioclip®.

Manutenção

Introdução



ATENÇÃO: Antes de efetuar qualquer tarefa de manutenção, tem de ler e compreender o capítulo sobre segurança.

X = As instruções estão disponíveis neste manual do utilizador.

O = As instruções não estão disponíveis neste manual do utilizador. Solicite a realização da manutenção numa oficina autorizada.

Esquema de manutenção

* = Manutenção geral realizada pelo utilizador. As instruções não estão disponíveis neste manual do utilizador.

Nota: Se mais do que um intervalo de tempo estiver identificado na tabela, o intervalo de tempo mais curto refere-se apenas à primeira manutenção.

Manutenção	Manutenção diária antes da utilização	Intervalo de manutenção em horas		
		25	50	100
Certifique-se de que as porcas e os parafusos estão apertados	*			
Certifique-se de que não existem fugas de óleo nem de combustível	*			
Limpar conforme a secção <i>Limpar o produto na página 79</i>	X			
Limpe a superfície interior da plataforma de corte, em redor das lâminas	X			
Limpar em redor do silenciador	X			
Certifique-se de que a admissão de ar frio do motor não está bloqueada	X			
Certifique-se de que os dispositivos de segurança não estão defeituosos	X			
Examine e teste os travões	*			
Verifique o nível do óleo de motor	X			
Verifique o nível do óleo da transmissão	X			
Verifique os cabos da direção	X			
Examine as lâminas da bancada de corte		X		
Limpe a plataforma de corte, sob as tampas da correia e sob a própria plataforma de corte		X	X	
Certifique-se de que a pressão dos pneus está correta		X	X	
Verifique o travão de estacionamento			X	
Substitua o óleo do motor			X	X
Substitua o filtro de óleo			X	X
Limpe o filtro de ar		X		
Substitua o filtro de ar				X
Substitua o filtro de combustível				X
Substitua a vela de ignição				X

Manutenção	Manutenção diária antes da utilização	Intervalo de manutenção em horas		
		25	50	100
Verifique a posição paralela da bancada de corte		X	X	
Lubrifique o tensor da correia.		X	X	
Lubrifique de acordo com a descrição geral de lubrificação		O	O	
Lubrifique todas as juntas e os eixos.		O	O	
Examine e ajuste os cabos da direção		O	O	
Examine o silenciador e o defletor de calor		O	O	
Examine a bancada de corte quanto a danos			O	
Ajuste o travão de estacionamento.			O	
Verifique e ajuste o cabo do acelerador			O	
Limpe as aletas de arrefecimento no motor e na transmissão			O	
Limpe o motor e a transmissão			O	O
Verifique as correias		O	O	
Verifique a bateria	*		O	
Verifique a mangueira de combustível. Substitua, se necessário				O
Mude o óleo na transmissão			O	O
Substitua o filtro na transmissão			O	O

Limpar o produto

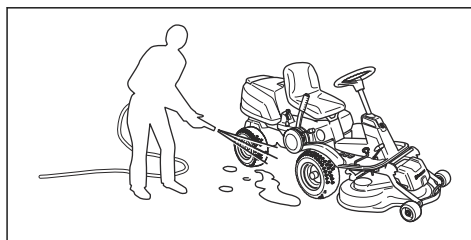


CUIDADO: Não utilize uma máquina de lavar de alta pressão nem uma máquina de limpeza a vapor. A possível entrada de água nos rolamentos e nas ligações elétricas pode causar corrosão, o que danifica o produto.

Limpe o produto imediatamente após cada utilização.

- Não limpe as superfícies quentes como o motor, o silenciador e o sistema de escape. Aguarde até as superfícies arrefecerem e, em seguida, remova a relva ou terra.
- Antes de limpar com água, limpe com uma escova. Retire aparas de relva e sujidade da transmissão, da admissão de ar da transmissão e do motor, e à volta destes.
- Utilize água corrente de uma mangueira para limpar o produto. Não utilize equipamentos de alta pressão.
- Não direcione a água diretamente para os componentes elétricos nem para os rolamentos. Geralmente, o detergente aumenta os danos.

- Para limpar a plataforma de corte, coloque-a na posição de manutenção e utilize uma mangueira para a limpar.
- Quando o produto estiver limpo, ligue a plataforma de corte durante um curto período de tempo para eliminar a água restante.



Limpar o motor e o silenciador

Mantenha o motor e o silenciador isentos de cortes de relva e terra. Os cortes de relva embebidos em combustível ou óleo no motor podem aumentar o risco de incêndio e de sobreaquecimento do motor. Deixe o motor arrefecer antes de o limpar. Limpe com água e uma escova.

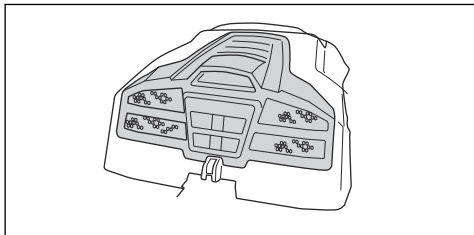
Os cortes de relva em redor do silenciador secam rapidamente e representam um risco de incêndio. Quando o silenciador estiver frio, utilize uma escova ou remova os cortes de relva com água.

Limpar a admissão de ar frio do motor

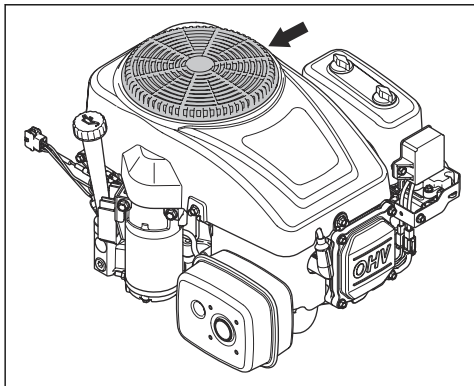


ATENÇÃO: Desligue o motor. A admissão de ar frio roda e pode causar ferimentos nos seus dedos.

- Certifique-se de que a grelha da entrada de ar na cobertura do motor não está obstruída. Remova a relva e a terra com uma escova.



- Retire a cobertura do motor. Certifique-se de que a admissão de ar frio do motor não está obstruída. Remova a relva e a terra com uma escova.



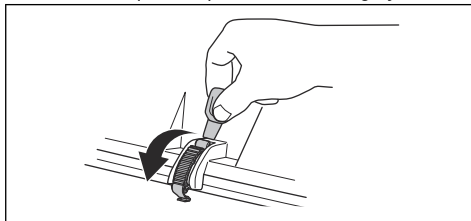
- Examine a conduta de ar, que se encontra na superfície interior da proteção do motor. Certifique-se de que a conduta de ar está limpa e que não existe fricção entre esta e a admissão de ar frio.

Remover as coberturas

Abrir a cobertura do motor

1. Dobre o banco para a frente.

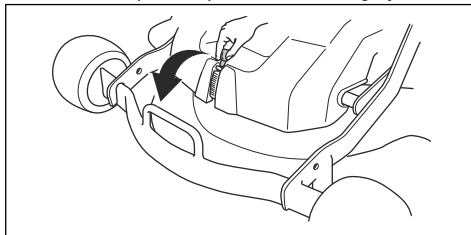
2. Solte o grampo da proteção do motor com a ferramenta que está presa à chave de ignição.



3. Dobre a proteção do motor para trás.

Retirar a proteção dianteira

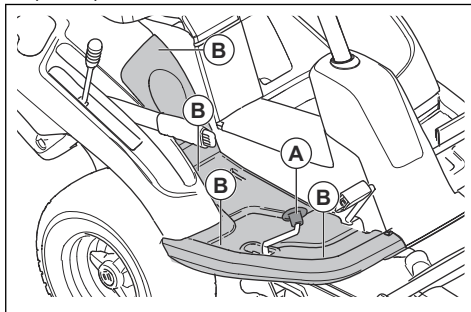
1. Solte o grampo da proteção dianteira com a ferramenta que está presa à chave de ignição.



2. Levante a proteção dianteira.

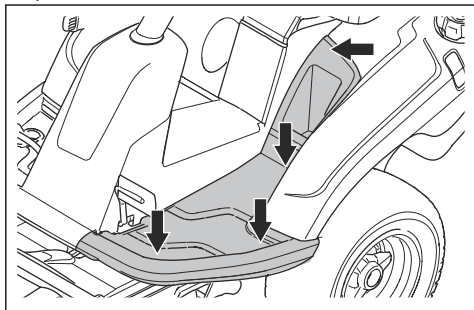
Remover a placa de base para o pé direito

1. Rode o botão do pedal da marcha-atrás (A) para o remover.
2. Retire os 4 parafusos (B) e retire a placa de base para o pé.



Remover a placa de base para o pé esquerdo

- Retire os 4 parafusos e retire a placa de base para o pé.

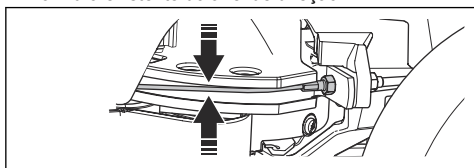


Examinar os cabos da direção

A tensão dos cabos da direção pode diminuir após um período de tempo. Tal provoca alterações no ajuste da direção.

Examine e ajuste a direção da seguinte forma:

1. Os cabos da direção estão bem apertados se os conseguir mover 5 mm para cima ou para baixo na ranhura existente do anel de direção.



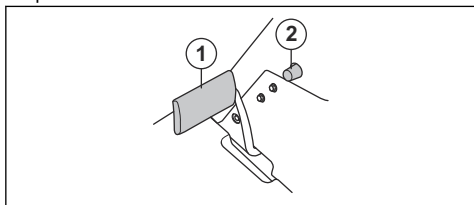
2. Se os fios estiverem demasiado soltos, solicite o respetivo ajuste numa oficina autorizada.

Verificar o travão de estacionamento

1. Estacione o produto numa superfície rígida inclinada.

Nota: Não estacione o produto num declive com relva quando verificar o travão de estacionamento.

2. Pressione o pedal do travão de estacionamento (1).
3. Mantenha premido o botão de bloqueio (2) e solte o pedal do travão de estacionamento em simultâneo.

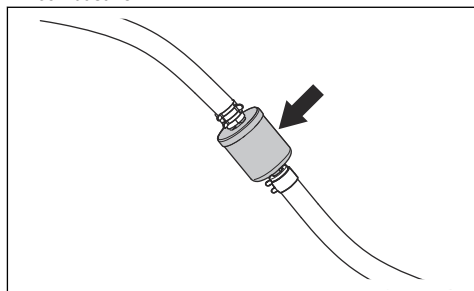


4. Se o produto começar a deslocar-se, solicite o ajuste do travão de estacionamento numa oficina autorizada.

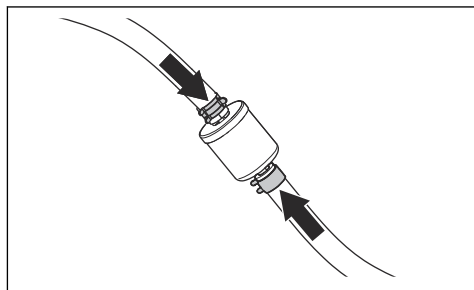
5. Prima novamente o pedal do travão de estacionamento para soltar o travão de estacionamento.

Substituir o filtro de combustível

1. Abra a cobertura do motor para aceder ao filtro de combustível.
2. Comprima a mangueira do depósito de combustível para evitar fugas.
3. Afaste as braçadeiras de mangueira do filtro de combustível com um alicate plano.
4. Puxe o filtro de combustível das extremidades da mangueira. Pode ocorrer uma pequena fuga de combustível.



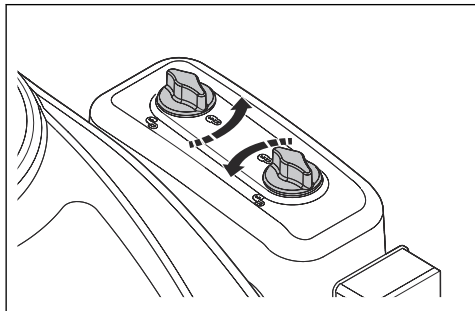
5. Empurre o novo filtro de combustível nas extremidades das mangueiras. Aplique detergente líquido nas extremidades do filtro de combustível para facilitar a ligação.
6. Empurre as braçadeiras de mangueira contra o filtro de combustível.



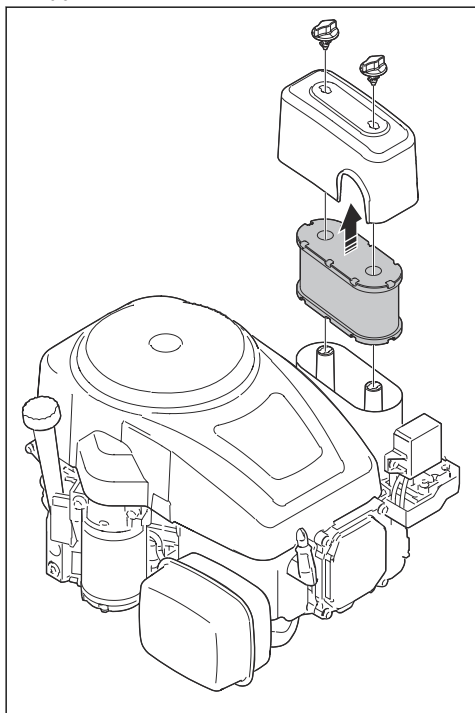
Substituir o filtro de ar

1. Abra a cobertura do motor.

2. Desaperte os manípulos que seguram a cobertura do filtro de ar e retire a cobertura.



3. Retire o cartucho do filtro de ar do alojamento do filtro.

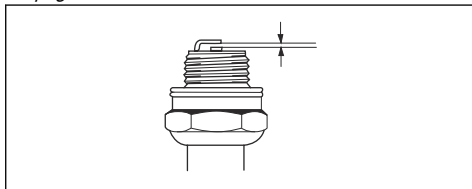


4. Instale na sequência inversa.

Examinar e substituir uma vela de ignição

1. Abra a cobertura do motor.
2. Retire o terminal do cabo de ignição e limpe a área em redor da vela de ignição.
3. Retire a vela de ignição com uma chave para velas de ignição.

4. Examine a vela de ignição. Substitua-a se os elétrodos estiverem queimados ou se o isolamento apresentar fissuras ou danos. Se a vela de ignição não estiver danificada, limpe-a com uma escova de aço.
5. Meça a distância entre os elétrodos e confirme que está correta. Consulte *Especificações técnicas na página 92*.



6. Dobre o elétrodo lateral para ajustar a distância entre os elétrodos.
7. Coloque novamente a vela de ignição e rode-a com a mão até que esteja em contacto com o assento da vela de ignição.
8. Aperte a vela de ignição com a chave para velas de ignição até que a arruela esteja comprimida.
9. Aperte uma vela de ignição usada mais $\frac{1}{8}$ de volta e uma vela de ignição nova mais $\frac{1}{4}$ de volta.



CUIDADO: As velas de ignição que não estejam corretamente apertadas podem causar danos no motor.

10. Substitua o terminal do cabo de ignição.

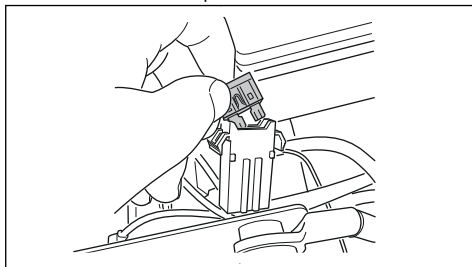


CUIDADO: Não tente ligar o motor se a vela de ignição ou o cabo de ignição tiverem sido retirados.

Substituir o fusível principal

Um fusível fundido é identificado por um conector queimado.

1. Abra a cobertura do motor. O fusível principal encontra-se num suporte à frente da bateria.
2. Puxe o fusível do suporte.



3. Substitua o fusível fundido por um fusível novo do mesmo tipo, pino plano, 15 A.
4. Substitua as proteções.

Se o fusível principal se fundir novamente num curto período de tempo depois de o substituir, existe um curto-circuito. Repare o curto-circuito antes de utilizar novamente o produto. Solicite ajuda numa oficina autorizada.

Carregar a bateria

- Carregue a bateria, se esta estiver demasiado fraca para ligar o motor.
- Utilize um carregador de bateria padrão.



CUIDADO: Não utilize um carregador rápido ou propulsor de arranque. Estes poderão danificar o sistema elétrico do produto.

- Antes de ligar o motor, desligue sempre o carregador.

Efetuar um arranque de emergência do motor

Se a bateria estiver demasiado fraca para ligar o motor, pode utilizar cabos de ligação direta para efetuar um arranque de emergência. Este produto tem um sistema de 12 V com terra negativa. O produto utilizado para o arranque de emergência também tem de ter um sistema de 12 V com terra negativa.

Ligar os cabos de ligação direta



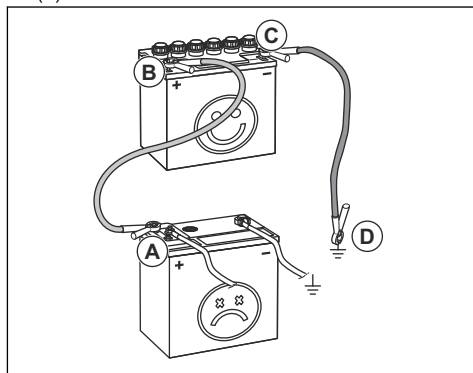
ATENÇÃO: Existe risco de explosão devido ao gás explosivo emitido pela bateria. Não ligue o terminal negativo da bateria totalmente carregada ao ou junto ao terminal negativo da bateria fraca.



CUIDADO: Não utilize a bateria do seu produto para ligar outros veículos.

1. Retire a proteção do motor.
2. Retire a proteção da caixa da bateria.

3. Ligue uma extremidade do cabo vermelho ao terminal POSITIVO da bateria (+) na bateria fraca (A).



4. Ligue a outra extremidade do cabo vermelho ao terminal POSITIVO da bateria (+) na bateria totalmente carregada (B).



ATENÇÃO: Não provoque o curto-circuito das extremidades do cabo vermelho contra o chassi.

5. Ligue uma extremidade do cabo preto ao terminal NEGATIVO da bateria (-) na bateria totalmente carregada (C).
6. Ligue a outra extremidade do cabo preto a um conector de TERRA do CHASSI (D), afastado do depósito de combustível e da bateria.
7. Substitua as proteções.

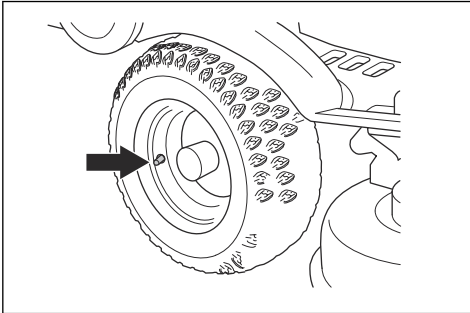
Retirar os cabos de ligação direta

Nota: Retire os cabos de ligação direta na sequência oposta à da ligação.

1. Retire o cabo PRETO do chassi.
2. Retire o cabo PRETO da bateria totalmente carregada.
3. Retire o cabo VERMELHO das 2 baterias.

Pressão dos pneus

A pressão correta dos pneus é 60 kPa (0,6 bar/8,5 PSI) nos 4 pneus.

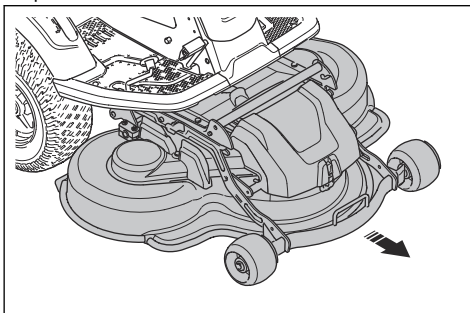


Colocar a bancada de corte na posição de manutenção

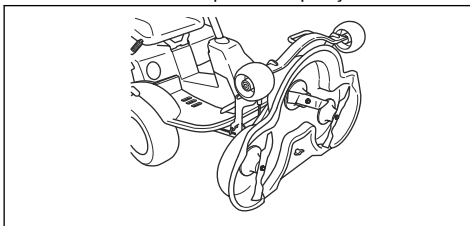


ATENÇÃO: A mola de tensão da correia da transmissão pode partir-se e provocar ferimentos. Utilize óculos de proteção.

1. Efetue os passos 1 a 9 da secção *Retirar e fixar a plataforma de corte na página 73*.
2. Segure na extremidade dianteira da plataforma de corte com as duas mãos e puxe-a para fora até parar.

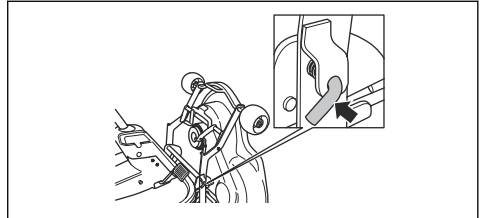


3. Levante a bancada de corte até à posição vertical, até ouvir um som de clique. A bancada de corte é automaticamente bloqueada na posição vertical.

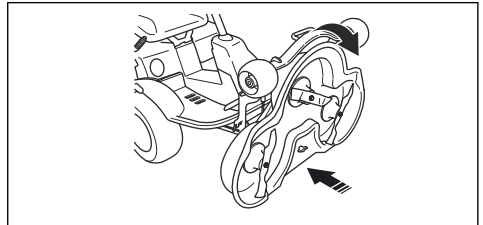


Colocar a plataforma de corte na posição de corte

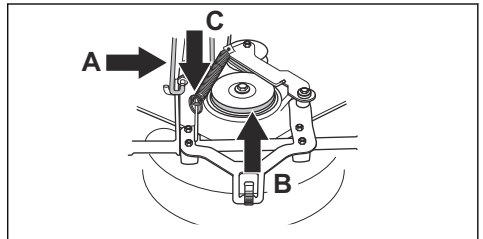
1. Segure na extremidade dianteira da bancada de corte com a mão esquerda.
2. Desaperte o bloqueio com a mão direita.



3. Rebata a bancada de corte e empurre-a até parar.



4. Levante o fixador da altura de corte (A) do suporte do fixador e coloque-o no orifício.



5. Coloque a correia da transmissão (B) na respetiva posição.

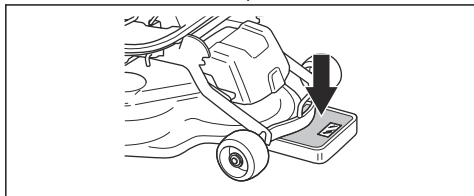
Nota: As informações sobre a posição da correia da transmissão encontram-se na superfície interna da cobertura da plataforma de corte.

6. Coloque novamente a mola de tensão (C) na respetiva posição para aplicar tensão à correia da transmissão.
7. Fixe a cobertura dianteira.
8. Desloque a alavanca de altura de corte da posição de manutenção para uma das posições com um número.

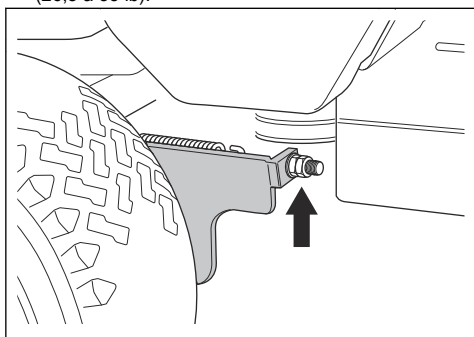
Examinar e ajustar a pressão exercida na terra pela plataforma de corte

Uma pressão correta sobre a terra garante que a plataforma de corte se desloca ao longo da superfície mas que não exerce pressão excessiva sobre esta.

1. Certifique-se de que a pressão do ar nos pneus é 60 kPa (0,6 bar/9,0 PSI).
2. Estacione o produto numa superfície nivelada.
3. Baixe a plataforma de corte até à posição de corte.
4. Coloque uma balança de casa de banho sob a extremidade dianteira da plataforma de corte.



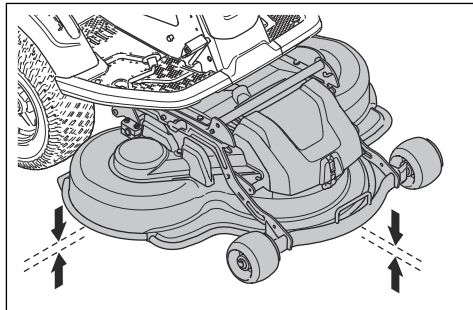
5. Para garantir que não está a ser aplicado peso sobre as rodas de suporte, coloque um bloco de madeira entre a estrutura e a balança de casa de banho.
6. Para ajustar a pressão exercida na terra, rode os parafusos de ajuste situados atrás das rodas dianteiras no lado direito e esquerdo.
7. Rode os parafusos para direita ou esquerda até que a pressão exercida na terra esteja entre 12 e 15 kg (26,5 a 33 lb).



Verificar a posição paralela da bancada de corte

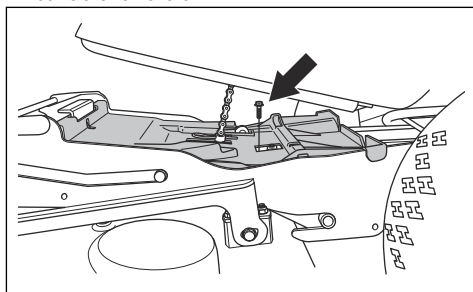
1. Certifique-se de que a pressão de ar nos pneus está correta. Consulte *Pressão dos pneus na página 84*.
2. Estacione o produto numa superfície nivelada.
3. Baixe a plataforma de corte até à posição de corte.
4. Coloque a alavanca da altura de corte na posição intermédia.

5. Meça a distância entre o solo e as arestas dianteira e traseira da plataforma de corte. Certifique-se de que a aresta traseira tem uma altura 2 a 4 mm (1/8") superior à da aresta dianteira.

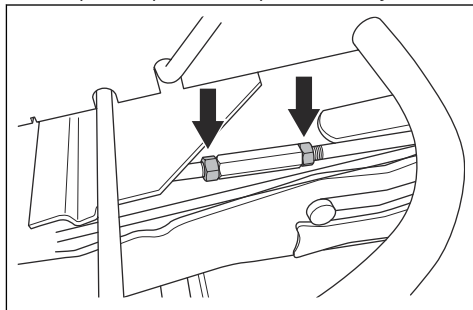


Ajustar a posição paralela da bancada de corte

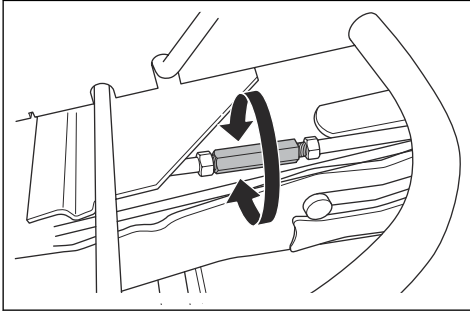
1. Remova a cobertura dianteira e a placa de base para o pé direito.
2. Remova os parafusos que prendem a proteção da correia e remova-a.



3. Desaperte as porcas do suporte de elevação.



- Rode o suporte de elevação para alongar ou encurtar o fixador. Alongue o fixador para elevar a extremidade traseira da cobertura. Encurte o fixador para baixar a extremidade traseira da cobertura.



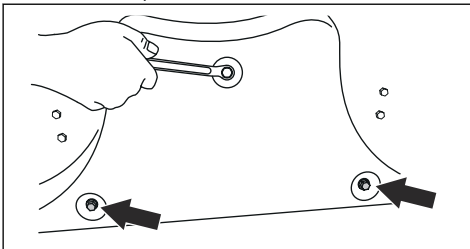
- Aperte as porcas do suporte de elevação quando terminar o ajuste.
- Verifique o paralelismo. Consulte *Verificar a posição paralela da bancada de corte na página 85*.
- Fixe a proteção da correia e aperte os parafusos.
- Fixe a placa de base para o pé direito e a cobertura dianteira.

Retirar o adaptador BioClip

- Retire o adaptador BioClip para alterar uma plataforma de corte combinada de BioClip para descarga traseira da relva.

Retirar e instalar o adaptador BioClip na plataforma de corte

- Coloque a bancada de corte na posição de manutenção. Consulte *Colocar a bancada de corte na posição de manutenção na página 84*.
- Retire os 3 parafusos que fixam o adaptador BioClip e retire o adaptador.



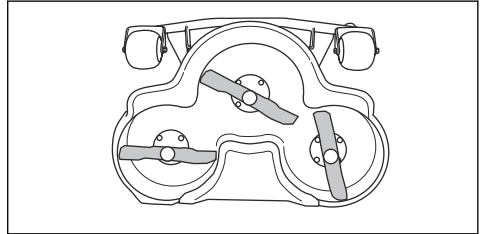
- Fixe 1 parafuso M8X15 mm no orifício do parafuso superior para o adaptador BioClip, para impedir danos nas roscas.
- Coloque a plataforma de corte na posição de corte.
- Instale o adaptador BioClip na sequência oposta.

Examinar as lâminas



CUIDADO: As lâminas danificadas ou incorretamente equilibradas podem provocar danos no produto. Substitua as lâminas danificadas. Solicite ajuda numa oficina autorizada para afiar e equilibrar as lâminas rombas.

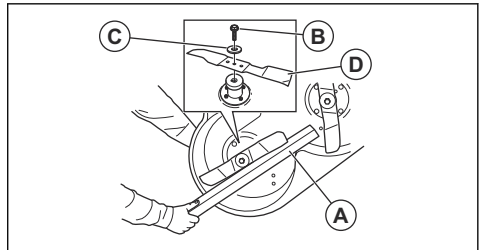
- Coloque a bancada de corte na posição de manutenção.
- Observe as lâminas para verificar se estão danificadas e se é necessário afiá-las.



- Aperte os parafusos das lâminas com um binário de aperto de 45–50 Nm.

Substituir as lâminas

- Coloque a bancada de corte na posição de manutenção.
- Bloqueie a lâmina com um bloco de madeira (A).



- Desaperte e retire o parafuso da lâmina (B), as arruelas (C) e a lâmina (D).
- Monte a nova lâmina com as extremidades angulares na direção da plataforma de corte.

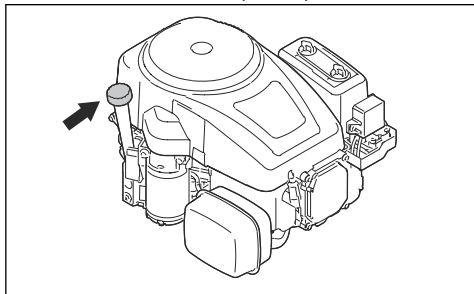


ATENÇÃO: O tipo de lâmina incorreto pode causar a projeção de objetos da bancada de corte e resultar em ferimentos graves. Utilize apenas as lâminas indicadas na secção *Especificações técnicas na página 92*.

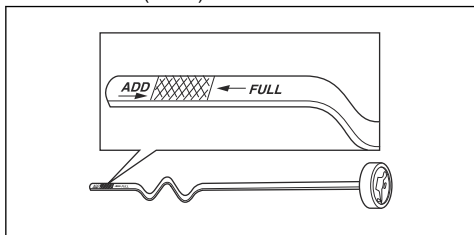
- Fixe a lâmina, a arruela e o parafuso. Aperte o parafuso com um binário de 45–50 Nm.

Verificar o nível do óleo de motor

1. Estacione o produto num piso nivelado e pare o motor.
2. Retire a cobertura do motor.
3. Solte a vareta de nível e puxe-a para fora.



4. Limpe o óleo da vareta de nível.
5. Volte a colocar a vareta de nível e aperte-a.
6. Solte e puxe a vareta de nível para fora para verificar o nível do óleo.
7. O nível do óleo tem de estar entre as marcas da vareta de nível. Se o nível estiver junto à marca ADD (Adicionar), encha o depósito de óleo até à marca FULL (Cheio).



8. Verta o óleo lentamente pelo orifício em que a vareta de nível assenta.

Nota: Consulte *Especificações técnicas na página 92* para obter os tipos de óleo de motor que recomendamos. Não misture tipos diferentes de óleo.

9. Aperte corretamente a vareta de nível antes de ligar o motor. Ligue o motor e deixe-o ao ralenti durante, aproximadamente, 30 segundos. Desligue o motor. Aguarde 30 segundos e verifique novamente o nível do óleo.

Para mudar o óleo de motor e o filtro de óleo

Se o motor estiver frio, ligue o motor durante 1 a 2 minutos antes de drenar o óleo de motor. Isto aquece o óleo de motor e facilita a respetiva drenagem.

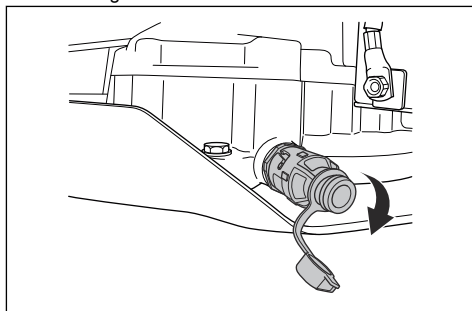


ATENÇÃO: Não coloque o motor em funcionamento durante mais de 1 a 2 minutos antes de drenar o óleo de motor. O óleo do motor fica muito quente e pode causar queimaduras. Deixe o motor arrefecer antes de drenar o óleo de motor.

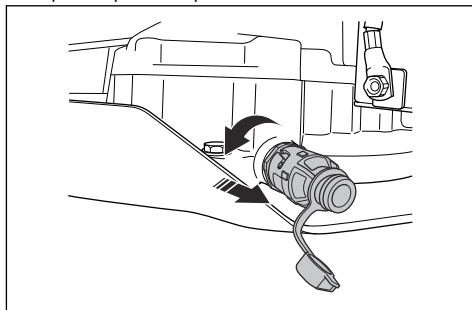


ATENÇÃO: Se derramar óleo de motor no seu corpo, limpe com água e sabão.

1. Abra o tampão de plástico na extremidade do bujão de drenagem do óleo.

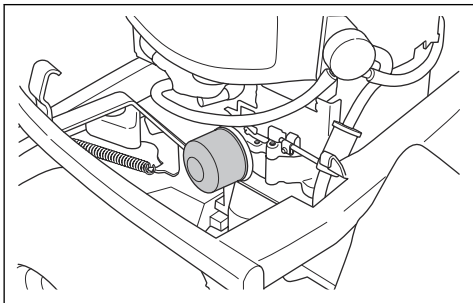


2. Para facilitar a drenagem do óleo sem derramamentos, fixe, por exemplo, uma mangueira de plástico na extremidade do bujão de drenagem do óleo.
3. Coloque um recipiente sob o bujão de drenagem do óleo.
4. Remova a vareta de nível.
5. Rode o bujão de drenagem do óleo para a esquerda e puxe-o para fora para o abrir.



6. Deixe o óleo escorrer para o recipiente.
7. Empurre o bujão de drenagem do óleo para dentro e rode-o para a direita para o fechar.
8. Retire a mangueira de plástico e volte a colocar o tampão no bujão de drenagem do óleo.

9. Rode o filtro de óleo para a esquerda para o remover.



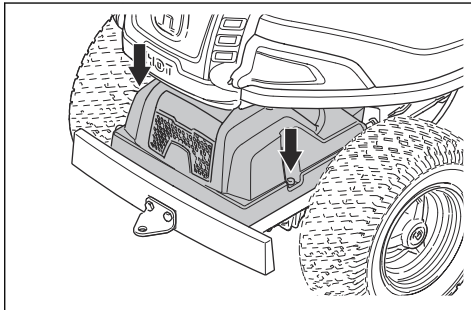
10. Lubrifique ligeiramente o vedante de borracha do novo filtro de óleo com óleo novo.
11. Para fixar o filtro de óleo, rode-o no sentido horário com a mão até o vedante de borracha estar na devida posição e, em seguida, aperte mais meia volta.
12. Encha o depósito com óleo novo, conforme indicado na secção *Especificações técnicas na página 92*.
13. Ligue o motor e deixe-o ao ralenti durante 3 minutos.
14. Pare o motor e certifique-se de que o filtro de óleo não tem fugas.
15. Encha com óleo para compensar o óleo absorvido pelo novo filtro de óleo.

Nota: Para a eliminação segura do óleo de motor utilizado, consulte a secção *Eliminação na página 91*.

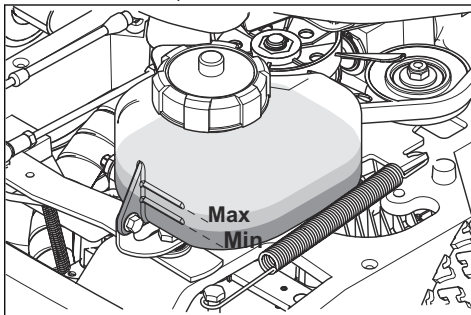
Verificar o nível do óleo da transmissão

Nota: Efetue a verificação do óleo da transmissão quando a transmissão estiver fria.

1. Coloque o produto numa superfície horizontal.
2. Remova os parafusos, um de cada lado, e remova a cobertura da transmissão.



3. Certifique-se de que o nível do óleo no depósito de óleo da transmissão está entre as 2 linhas horizontais do depósito.



4. Encha com óleo se o nível do óleo estiver abaixo da linha inferior, mas não encha se estiver acima da linha superior. Consulte *Especificações técnicas na página 92* para saber qual o óleo recomendado.

Resolução de problemas

Esquema de resolução de problemas

Se não encontrar uma solução para os seus problemas neste manual do proprietário, contacte uma oficina autorizada Husqvarna.

Problema	Causa
O motor de arranque não inverte o motor	O travão de estacionamento não está aplicado. Consulte o capítulo <i>Aplicar e soltar o travão de estacionamento na página 77.</i>
	A alavanca de elevação da plataforma de corte está na posição de corte. Consulte o capítulo <i>Condições de arranque na página 70.</i>
	O fusível principal está fundido. Consulte o capítulo <i>Substituir o fusível principal na página 82.</i>
	A fechadura da ignição está defeituosa.
	Má ligação entre o cabo e a bateria. Consulte o capítulo <i>Segurança da bateria na página 72.</i>
	A bateria está demasiado fraca. Consulte o capítulo <i>Carregar a bateria na página 83.</i>
	O motor de arranque está defeituoso.
O motor não arranca quando o motor de arranque inverte o motor	Não há combustível no depósito de combustível. Consulte o capítulo <i>Encher o depósito de combustível na página 74.</i>
	A vela de ignição está defeituosa.
	O cabo de ignição está defeituoso.
	Existe sujidade no carburador ou na linha de combustível.
O motor não funciona regularmente	A vela de ignição está defeituosa.
	O carburador não está bem colocado.
	O filtro de ar está obstruído. Consulte o capítulo <i>Substituir o filtro de ar na página 81.</i>
	A ventilação do depósito de combustível está obstruída.
	Existe sujidade no carburador ou na linha de combustível.
Aparentemente, o motor não tem potência	O filtro de ar está obstruído. Consulte o capítulo <i>Substituir o filtro de ar na página 81.</i>
	A vela de ignição está defeituosa.
	Existe sujidade no carburador ou na linha de combustível.
	O cabo do acelerador está ajustado incorretamente.
A transmissão não tem potência suficiente	A admissão de ar frio da transmissão ou as aletas de arrefecimento estão obstruídas.
	A ventoinha da transmissão está danificada.
	Não existe óleo na transmissão ou o nível do óleo está demasiado baixo. Consulte o capítulo <i>Verificar o nível do óleo da transmissão na página 88.</i>
A bateria não carrega	A bateria está defeituosa. Consulte o capítulo <i>Segurança da bateria na página 72.</i>
	Má ligação nos conectores de cabos nos terminais da bateria. Consulte o capítulo <i>Segurança da bateria na página 72.</i>

Problema	Causa
O produto vibra	As lâminas estão soltas. Consulte o capítulo <i>Examinar as lâminas na página 86</i> .
	Uma ou mais lâminas estão desequilibradas. Consulte o capítulo <i>Examinar as lâminas na página 86</i> .
	O motor está solto.
O resultado de corte não é satisfatório	As lâminas estão rombas. Consulte o capítulo <i>Examinar as lâminas na página 86</i> .
	A relva é comprida ou está molhada. Consulte o capítulo <i>Obter bons resultados de corte na página 77</i> .
	A bancada de corte está inclinada.
	Existe uma obstrução de relva na bancada de corte. Consulte o capítulo <i>Limpar o produto na página 79</i> .
	A pressão dos pneus é diferente nos lados esquerdo e direito. Consulte o capítulo <i>Pressão dos pneus na página 84</i> .
	O produto é utilizado a uma velocidade demasiado elevada. Consulte o capítulo <i>Obter bons resultados de corte na página 77</i> .
	A velocidade do motor é demasiado baixa. Consulte o capítulo <i>Obter bons resultados de corte na página 77</i> .
A correia da transmissão salta.	

Transporte, armazenamento e eliminação

Transporte

- O produto é pesado e pode causar ferimentos graves por esmagamento. Tenha cuidado ao carregá-lo e descarregá-lo de um veículo ou reboque.
- Utilize um reboque aprovado para o transporte do produto.
- Certifique-se de que conhece as regras de trânsito locais antes de transportar o produto num reboque ou em estradas.

Fixar o produto em segurança num reboque para transportar



ATENÇÃO: O travão de estacionamento não é suficiente para bloquear o produto durante o transporte. Fixe o produto com firmeza no reboque.

Equipamento: 2 cintas tensoras aprovadas e 4 calços de rodas em forma de cunha.

1. Aplique o travão de estacionamento.
2. Fixe as cintas tensoras em redor da estrutura ou do vagão traseiro.

3. Aperte as cintas tensoras na direção da traseira e da dianteira do reboque para fixar o produto em segurança.
4. Coloque os calços de rodas em frente e atrás das rodas traseiras.

Rebocar o produto

O produto tem uma transmissão hidrostática. Para evitar danos na transmissão, reboque o produto a baixa velocidade e apenas em distâncias curtas.

Desengate a transmissão antes de rebocar o produto. Consulte *Ativar e desativar o sistema de acionamento na página 75*.

Armazenamento

Prepare o produto para armazenamento no final da estação e antes de mais de 30 dias de armazenamento. Se mantiver o combustível no depósito de combustível durante 30 dias ou mais, a aderência de partículas pode causar obstruções no carburador. Tal tem um efeito negativo no funcionamento do motor.

Para evitar a aderência de partículas durante o armazenamento, adicione um estabilizador. Se utilizar uma gasolina com base em alquilatos, não é necessário um estabilizador. Se utilizar gasolina normal, não mude

para gasolina com alquilatos. Tal pode fazer com que as peças de borracha sensíveis se tornem rígidas. Adicione estabilizador ao combustível no depósito ou no recipiente utilizado para o armazenamento. Utilize sempre as proporções de mistura indicadas pelo fabricante. Coloque o motor em funcionamento durante, pelo menos, 10 minutos após a adição do estabilizador, até que este flua para o carburador.



ATENÇÃO: Não mantenha o produto com combustível no depósito em espaços interiores ou em locais pouco ventilados. Risco de incêndio se os fumos do combustível se aproximarem de chamas abertas, faíscas ou luzes piloto, por exemplo, caldeiras, reservatórios de água quente e secadores de vestuário.



ATENÇÃO: Remova a relva, as folhas e outros materiais inflamáveis do produto para reduzir o risco de incêndio. Deixe o produto arrefecer antes de o armazenar.

- Limpe o produto; consulte *Limpar o produto na página 79*. Repare os danos na pintura para prevenir a corrosão.
- Examine o produto quanto a peças gastas ou danificadas e aperte as porcas e os parafusos soltos.
- Retire a bateria. Limpe-a, carregue-a e mantenha-a a uma temperatura baixa durante o armazenamento.
- Mude o óleo de motor e elimine o óleo usado.
- Esvazie o depósito de combustível. Ligue o motor e deixe-o trabalhar até não existir combustível no carburador.

Nota: Não esvazie o depósito de combustível e o carburador se tiver adicionado um estabilizador.

- Remova as velas e coloque, aproximadamente, uma colher de sopa de óleo de motor em cada cilindro. Rode manualmente o eixo do motor para aplicar o óleo e volte a colocar as velas.
- Lubrifique todos os copos de lubrificação, juntas e eixos.
- Guarde o produto numa área limpa e seca e cubra-o para proporcionar mais proteção.
- Pode adquirir uma cobertura de proteção para o produto durante o armazenamento ou o transporte no seu concessionário.

Eliminação

- Os produtos químicos podem ser perigosos e não podem ser eliminados no solo. Elimine sempre os químicos usados num centro de assistência ou numa localização de eliminação aplicável.
- Quando o produto estiver gasto, proceda ao respetivo envio para o concessionário ou para uma localização de reciclagem adequada.

- O óleo, os filtros de óleo, o combustível e a bateria podem ter efeitos negativos no meio ambiente. Respeite os requisitos de reciclagem locais e os regulamentos aplicáveis.
- Não elimine a bateria como um lixo doméstico.
- Envie a bateria para uma oficina autorizada Husqvarna ou elimine-a numa localização de eliminação de baterias usadas.

Especificações técnicas

Especificações técnicas

	R 214C
Dimensões	
Comprimento sem bancada de corte, mm	1960
Largura sem bancada de corte, mm	883
Comprimento com plataforma de corte ¹¹ , mm	2243
Largura com plataforma de corte ¹ , mm	994
Altura, mm	1120
Peso sem plataforma de corte e com depósito vazio, kg	191
Peso com plataforma de corte ¹ e depósito vazio, kg	228
Distância entre rodas, mm	887
Largura dos trilhos, dianteiros, mm	712
Largura dos trilhos, traseiros, mm	627
Dimensões dos pneus	16,5 × 6,0 × 8
Pressão dos pneus, traseiros – dianteiros, kPa/bar/PSI	60/0,6/8,5
Declive máx., graus °	10
Motor	
Marca/Modelo	Husqvarna/HS 413AE
Potência nominal do motor, kW ¹²	8,4
Deslocamento, cm ³	413
Rotação máxima do motor, r/min.	3000 ± 100
Velocidade de marcha em frente, km/h	0-9
Velocidade em marcha atrás, km/h	0-6
Combustível, índice de octanas mínimo	91
Volume do depósito, litros	12
Óleo	Classe SF, SG, SH ou SJ SAE40, SAE30, SAE10W-30, SAE10W-40 ou SAE5W-20
Volume de óleo incluindo filtro, litros	1,4
Volume de óleo excluindo filtro, litros	1,2
Motor de arranque	Arranque elétrico de 12 V

¹¹ Medida com plataforma de corte Combi 94

¹² A potência nominal do motor indicado é a potência líquida média (a um valor de rpm especificado) de um motor de produção típico do modelo de motor avaliado de acordo com a norma J1349/ISO1585 da SAE. Motores produzidos em série poderão divergir deste valor. A potência real do motor instalado no produto final dependerá da velocidade de operação, das condições ambientais e de outros parâmetros.

	R 214C
Transmissão	
Marca	Tuff Torq
Modelo	K46H
Óleo, classe SF-CC	SAE 10W/40
Sistema elétrico	
Tipo	12 V, ligação à terra negativa
Bateria	12 V, 24 Ah
Vela de ignição	HQT-9
Distância entre os elétrodos, mm/pol.	0,75/0,030
Emissões de ruído¹³	
Nível de potência sonora, dB(A) medidos	98
Nível de potência sonora, dB(A) garantidos	99
Níveis acústicos¹⁴	
Nível de pressão sonora ao nível do ouvido do operador, dB(A)	84
Níveis de vibração¹⁵	
Nível de vibração no volante, m/s ²	2,5
Nível de vibração no banco, m/s ²	0,7
Bancada de corte	
Tipo	Combi 94

Bancada de corte	Combi 94
Largura de corte, mm	940
Altura de corte, 10 posições, mm	25-75
Peso, kg	37
Lâmina	
Comprimento das lâminas, mm	358
Número do artigo	579 65 25-10

¹³ Emissões de ruído para as imediações, medidas sob forma de potência sonora (L_{WA}) em conformidade com a diretiva da CE 2000/14/CE.

¹⁴ Nível de pressão sonora em conformidade com a norma EN ISO 5395. Os dados comunicados relativamente ao nível de pressão de ruído têm uma dispersão estatística típica (desvio padrão) de 1,2 dB(A).

¹⁵ Nível de vibração em conformidade com a norma EN ISO 5395. Os dados comunicados relativos ao nível de vibração têm uma dispersão estatística típica (desvio padrão) de 0,2 m/s² (volante) e 0,8 m/s² (banco).



ATENÇÃO: Utilizar uma bancada de corte que não esteja aprovada para o produto pode provocar a projeção de objetos a velocidades elevadas e causar

ferimentos graves. Não utilize outros tipos de plataforma de corte que não os especificados neste manual.

Pontos de controlo	
Paralelismo da plataforma de corte com a altura de corte na posição 1	2 a 4 mm/0,079 a 0,157 pol.
Controlo da altura de corte na posição 1	25 ± 2 mm / 0,98 ± 0,079 pol
Distância entre a placa de suporte e a correia da transmissão	3-6 mm /1/8 pol -1/4 pol
Distância entre o braço da alavanca do tensor da correia e a guia da correia, plataforma desengatada	17 ± 5 mm / 7/16 pol ± 3/16 pol

Reproduzir	
Cabo do travão	1 mm / 0,040 pol
Cabo para os pedais da transmissão hidrostática	0 mm / 0 pol

Assistência

Assistência

Efetue uma verificação anual num centro de assistência autorizado para se certificar de que o produto funciona em segurança e nas melhores condições durante a estação de grande utilização. A melhor altura para a manutenção ou revisão geral do produto é a época baixa.

Quando fizer uma encomenda de peças sobresselentes, forneça informações sobre o ano de compra, o modelo, o tipo e o número de série.

Utilize sempre peças sobresselentes originais.

Declaração CE de conformidade

Declaração CE de conformidade

A **Husqvarna AB**, SE-561 82 Huskvarna, Suécia, tel: +46-36-146500, declara que o **trator corta relva HusqvarnaR 214C**, com números de série de 2020 e seguintes (o ano está claramente indicado em texto simples na etiqueta de tipo, seguido do número de série), está em conformidade com o estipulado na DIRETIVA DO CONSELHO:

- de 17 de maio de 2006 "referente a máquinas" **2006/42/CE**
- de 26 de fevereiro de 2014 "referente à compatibilidade eletromagnética" **2014/30/UE**
- de 8 de junho de 2011 referente à "restrição do uso de determinadas substâncias perigosas" **2011/65/UE**.
- de 8 de maio de 2000 "referente a emissões de ruído para o ambiente" **2000/14/CE**

Para obter informações relativas às emissões de ruído e a largura de corte; consulte as Especificações técnicas.

Foram respeitadas as seguintes normas uniformizadas:

EN ISO 5395-1:2013, EN ISO 5395-1:2013/A1:2018, EN ISO 5395-3:2013, EN ISO 5395-3:2013/A1:2017, EN ISO 5395-3:2013/A2:2018, EN ISO 14982:2009, EN ISO 12100:2010

Salvo indicação em contrário, as normas apresentadas acima são as versões publicadas mais recentes.

Entidade competente: **0404, RISE SMP Svensk Maskinprovning AB, Box 7035, SE-750 07 Uppsala** emitiu relatórios relativos à avaliação de conformidade de acordo com o anexo VI da DIRETIVA DO CONSELHO de 8 de maio de 2000 "referente a emissões de ruído para o ambiente " 2000/14/CE.

Huskvarna, 2020-12-11



Claes Losdal, Chefe de Desenvolvimento/Produtos de Jardinagem (representante autorizado da Husqvarna AB e responsável pela documentação técnica)

Sommario

Introduzione.....	96	Ricerca guasti.....	120
Sicurezza.....	100	Trasporto, stoccaggio e smaltimento.....	122
Montaggio.....	105	Dati tecnici.....	124
Utilizzo.....	106	Assistenza.....	126
Manutenzione.....	110	Dichiarazione di conformità CE.....	127

Introduzione

Ispezione di preconsegna e numeri di prodotto

firmata del documento di ispezione pre-consegna dal rivenditore.

Nota: Un'ispezione di preconsegna è stata effettuata per questo prodotto. Assicurarsi di ricevere una copia

Informazioni di contatto dell'officina:	
Il presente manuale operatore si riferisce al prodotto con codice/numero di serie:	
/	
Motore:	
Trasmissione:	

Descrizione del prodotto

Il prodotto è un trattorino rasaerba. I pedali di marcia avanti e retromarcia consentono all'operatore di regolare la velocità senza interruzione. Il prodotto viene utilizzato con un piatto di taglio 2-in-1 dotato di tappo di pacciamatura.

Uso previsto

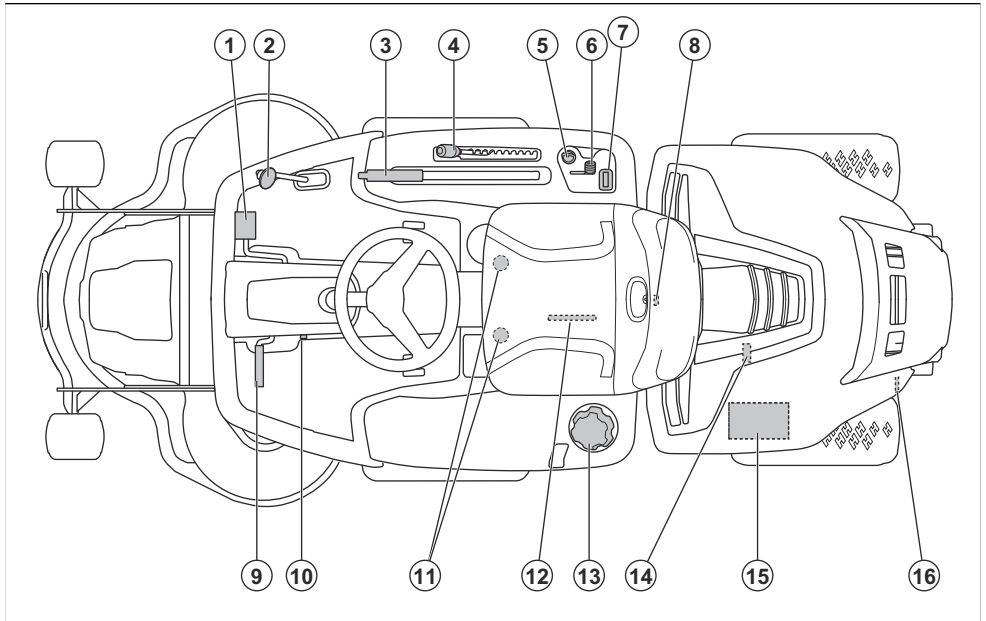
Il prodotto è concepito per falciare l'erba su terreni piani e aperti in aree residenziali e giardini. Montare un accessorio opzionale per usare il prodotto per altre

attività. Rivolgersi al proprio rivenditore Husqvarna per maggiori informazioni sulla disponibilità dei singoli accessori.

Assicurazione del prodotto

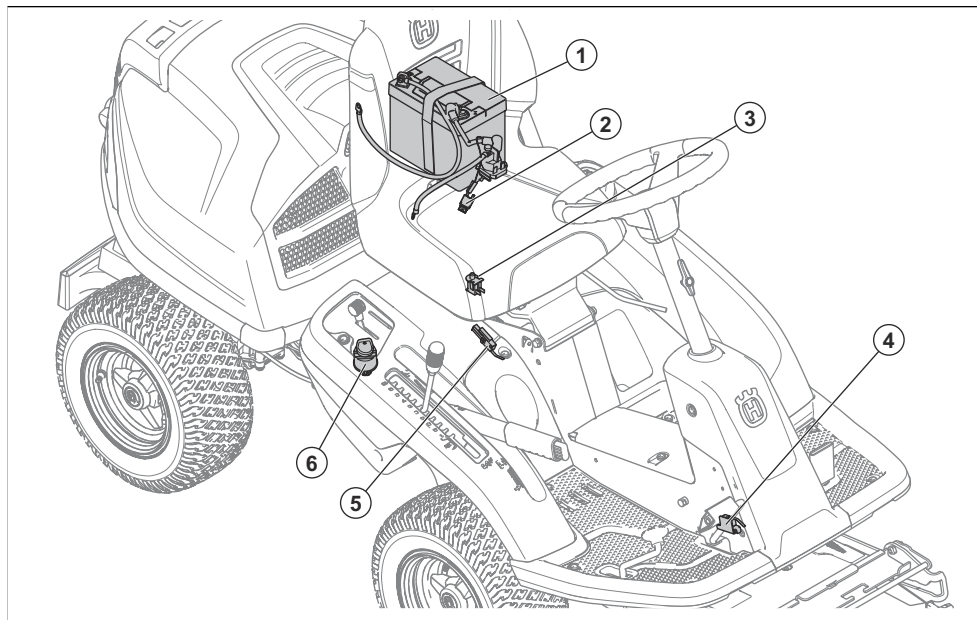
Accertarsi di disporre della copertura assicurativa per il nuovo prodotto. Contattare la propria compagnia assicurativa se non si è sicuri di disporre della copertura. Si raccomanda un'assicurazione completa che copra lesioni contro terzi, incendio, danni, furto e responsabilità civile.

Illustrazione del prodotto



- | | |
|---|--|
| 1. Pedale di avanzamento | 9. Leva del freno di stazionamento |
| 2. Pedale di retromarcia | 10. Pulsante di bloccaggio per il freno di stazionamento |
| 3. Leva di sollevamento per il piatto di taglio | 11. Regolazione del sedile |
| 4. Leva dell'altezza di taglio | 12. Piastra versione con codici di scansione |
| 5. Blocco accensione | 13. Tappo del serbatoio del carburante |
| 6. Comando dell'acceleratore | 14. Tappo di drenaggio dell'olio |
| 7. Contatore | 15. Batteria |
| 8. Blocco del cofano del motore | 16. Leva per innestare o disinnestare la trazione |

Panoramica dell'impianto elettrico



1. Batteria
2. Fusibile principale
3. Controllo presenza operatore (OPC)
4. Microinterruttore, freno di stazionamento
5. Interruttore di sicurezza per la leva di sollevamento
6. Blocco accensione

Husqvarna Connect

Il manuale dell'operatore e ad altre informazioni relative al prodotto sono disponibili nell'app Husqvarna Connect. Husqvarna Connect è un'app gratuita per i dispositivi mobili. Vedere *Primo utilizzo Husqvarna Connect alla pagina 106*.

Controllo presenza operatore (OPC)

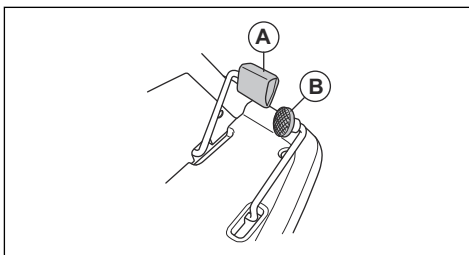
Il Controllo presenza operatore (OPC) si attiva quando l'operatore si alza dal sedile. Il motore e l'azionamento delle lame si arrestano se le lame sono innestate o se il freno di stazionamento non è inserito. Fare riferimento a *Condizioni di avvio alla pagina 102*.

Contaore

Il contaore indica le ore di funzionamento del motore. Il tempo con l'accensione inserita ma con il motore spento non viene registrato. L'ultima cifra mostra i decimi di ora (6 minuti).

Pedali di marcia avanti e retromarcia

La velocità viene regolata continuamente con 2 pedali. Il pedale sinistro (A) serve per la marcia avanti, il pedale destro (A) per la marcia indietro. Il prodotto si arresta quando i pedali vengono rilasciati.



Piatto di taglio

I piatti di taglio per questo prodotto sono piatti di taglio Combi con BioClip. BioClip taglia l'erba trasformandola in concime. I piatti di taglio Combi possono essere utilizzati anche senza BioClip. Senza BioClip, l'erba è espulsa nella parte posteriore.

Symbols on the product



WARNING: Careless or incorrect use can result in serious injury or death to the operator or others.



Read the operator's manual carefully and make sure that you understand the instructions before use.



Rotating blades. Keep body parts away.



Warning: rotating parts. Keep body parts away.



Look out for ejecting objects and ricochets.



Never use the product if persons, especially children, or animals, are in the vicinity.



Look behind you before and while you move the product in reverse.



Never cut grass across a slope. Do not cut grass on ground that slopes more than 10°. Refer to *Per tagliare l'erba su pendenze alla pagina 103*.



Never carry passengers on the product or equipment.



Move forward.

N

Neutral gear.



Move rearward.



Parking brake.



This product is in accordance with applicable EC directives.



Noise emission to the environment according to the European Community's Directive. The product's emission is specified in the Technical data chapter and on the label.



Always use approved hearing protection.



Stop the engine.

START

Start the engine.



Engine speed – fast.



Engine speed – slow.



Fuel.



Max. ethanol 10%.



Cutting height.



The service position for the cutting height lever.



The blades are engaged.



The blades are disengaged.



Transport position for the cutting deck.



Operation position for the cutting deck.



Engage and disengage the drive system.



Oil level.



Scannable code

yyyywwxxxx

The rating plate shows serial number. **yyyy** is the production year and **ww** is the production week.

Nota: Other symbols/decals on the product refer to certification requirements for some commercial areas.

Emissioni Euro V



AVVERTENZA: La manomissione del motore rende nulla l'omologazione UE del prodotto.

Responsabilità del prodotto

Come indicato nelle leggi vigenti in materia di responsabilità obbligatoria sul prodotto, non siamo responsabili per eventuali danni causati dal nostro prodotto se:

- Il prodotto viene riparato in modo errato.
- Il prodotto viene riparato con parti che non provengono o non sono omologate dal produttore.
- Il prodotto contiene un accessorio che non proviene o non è omologato dal produttore.
- Il prodotto non viene riparato presso un centro di assistenza autorizzato o presso un'autorità competente.

Sicurezza

Definizioni di sicurezza

Le avvertenze, le precauzioni e le note sono utilizzate per evidenziare le parti importanti del manuale.



AVVERTENZA: Utilizzato se è presente un rischio di lesioni o morte dell'operatore o di passanti nel caso in cui le istruzioni del manuale non vengano rispettate.



ATTENZIONE: Utilizzato se è presente un rischio di danni al prodotto, ad altri materiali oppure alla zona adiacente nel caso in cui le istruzioni del manuale non vengano rispettate.

Nota: Utilizzato per fornire ulteriori informazioni necessarie in una determinata situazione.

Istruzioni di sicurezza generali



AVVERTENZA: Questo prodotto può tagliare mani e piedi e scagliare oggetti. Lesioni gravi o mortali possono verificarsi se non si rispettano le istruzioni di sicurezza.



AVVERTENZA: Non continuare a utilizzare un prodotto che presenti l'attrezzatura di taglio danneggiata. Un'attrezzatura di taglio danneggiata può scagliare oggetti e causare lesioni gravi o

mortali. Sostituire immediatamente le lame danneggiate.



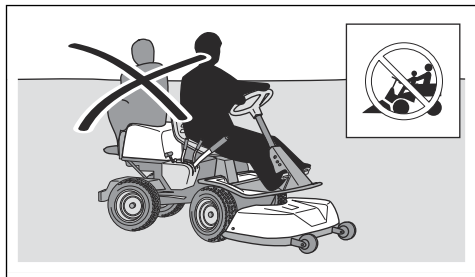
AVVERTENZA: Durante il funzionamento, questo prodotto genera un campo elettromagnetico. Tale campo può interferire, in alcuni casi, con persone portatrici di impianti medici attivi o passivi. Per ridurre il rischio di condizioni che possono implicare lesioni gravi o mortali, i portatori di tali impianti devono consultare il proprio medico e il produttore dell'impianto prima di utilizzare questo prodotto.



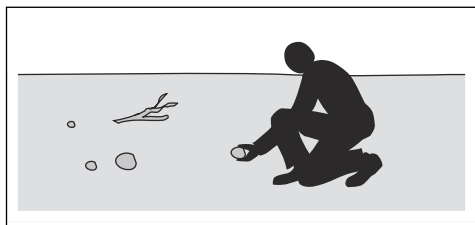
AVVERTENZA: Leggere le seguenti avvertenze prima di utilizzare il prodotto.

- Usare la massima cautela e il buon senso. Evitare tutte le situazioni che richiedono capacità superiori alle proprie. Se non si è sicuri delle procedure operative anche dopo aver letto il manuale dell'operatore, rivolgersi a un esperto prima di continuare.
- Leggere con attenzione e comprendere il manuale dell'operatore e le istruzioni sul prodotto prima di avviarlo.
- Apprendere l'uso del prodotto e i comandi e imparare come arrestare il prodotto rapidamente.
- Apprendere a riconoscere le decalcomanie di sicurezza.
- Conservare il prodotto pulito in modo che sia possibile leggere chiaramente i simboli e gli adesivi.

- Tenere presente che l'operatore potrà essere ritenuto responsabile di eventuali incidenti che coinvolgano altre persone o i loro beni.
- Non trasportare passeggeri. Il prodotto deve essere utilizzato da una sola persona.



- Non lasciare il prodotto incustodito con il motore acceso. Fermare sempre le lame, applicare il freno di stazionamento, spegnere il motore e rimuovere la chiave di accensione prima di lasciare incustodito il prodotto.
- Utilizzare il prodotto solo alla luce solare o in altre condizioni di sufficiente illuminazione. Tenere il prodotto a distanza di sicurezza da buche o altre irregolarità nel suolo. Prestare attenzione ad altri possibili rischi.
- Non utilizzare mai il prodotto in condizioni meteorologiche sfavorevoli, ad esempio nebbia, pioggia, umidità o luoghi molto umidi, vento forte, freddo intenso, rischio di fulmini ecc.
- Trovare e marcare eventuali pietre e altri oggetti fissi per evitarli durante il taglio.
- Liberare l'area da oggetti come pietre, giocattoli, fili, ecc. che possono rimanere incastrati nelle lame ed essere scagliati in aria.



- Non consentire ai bambini, o ad altre persone non autorizzate all'utilizzo del prodotto, di utilizzarlo o eseguirne la manutenzione. Possono esistere leggi locali che stabiliscono l'età minima dell'operatore.
- Accertarsi che nessuno si trovi nelle vicinanze del prodotto quando si accende il motore, si innesta la trazione o si sposta il prodotto.
- Tenere d'occhio il traffico quando si taglia in prossimità di una strada o la si attraversa.
- Non utilizzare mai il prodotto in condizioni di stanchezza oppure sotto l'effetto di alcolici,

stupefacenti o farmaci in grado di compromettere la vista, l'attenzione, la coordinazione o il giudizio.

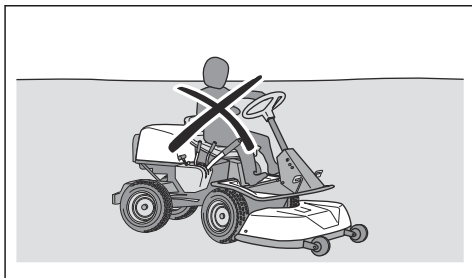
- Parcheggiare sempre il prodotto su una superficie piana con il motore spento.

Istruzioni di sicurezza relative ai bambini



AVVERTENZA: Leggere le seguenti avvertenze prima di utilizzare il prodotto.

- In caso di mancata supervisione dei bambini nei pressi del prodotto, si potrebbero verificare gravi incidenti. I bambini possono essere attratti dal prodotto e dalla falciatura. È molto probabile che i bambini non rimangano fermi nel luogo in cui sono stati visti l'ultima volta.
- Tenere i bambini lontani dall'area da falciare. Accertarsi che sia presente un adulto che supervisioni i bambini.
- Restare vigili e spegnere il prodotto se i bambini accedono all'area di lavoro. Prestare estrema attenzione nei pressi di angoli, cespugli, alberi o altri oggetti che ostacolano la visuale.
- Prima e durante lo spostamento del prodotto in retromarcia, guardare all'indietro e verso il basso per assicurarsi che non ci siano bambini piccoli nelle vicinanze del prodotto.
- Non lasciar salire i bambini sul prodotto. Potrebbero cadere e ferirsi gravemente o impedire di manovrare in sicurezza il prodotto.
- Non lasciare che i bambini utilizzino il prodotto.



Istruzioni di sicurezza per l'utilizzo



AVVERTENZA: Non toccare il motore o il sistema di scarico durante o subito dopo l'utilizzo. Il motore e il sistema di scarico diventano molto caldi durante l'uso. Rischio di ustioni, incendi e danni alla proprietà o alle zone adiacenti. Mentre si utilizza il prodotto, tenersi lontani da cespugli e altri oggetti.



AVVERTENZA: Leggere le seguenti avvertenze prima di utilizzare il prodotto.

- Guardare sempre in basso e indietro prima e durante lo spostamento in retromarcia. Evitare ostacoli grandi e piccoli.
- Ridurre la velocità prima di svoltare ad angolo.
- Arrestare le lame prima di spostarsi attraverso aree che non richiedono la falciatura.



ATTENZIONE: Leggere le seguenti istruzioni prima di utilizzare il prodotto.

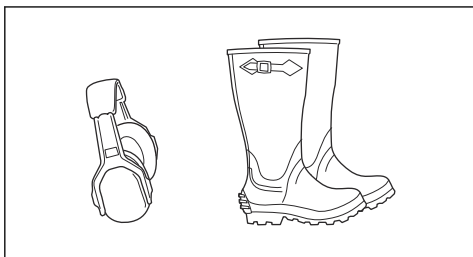
- Prima di utilizzare il prodotto, pulire la presa d'aria fredda del motore eliminando erba e sporco. Se la presa d'aria fredda viene bloccata, esiste il rischio di danni al motore.
- Spostare con attenzione pietre e altri oggetti più grandi e accertarsi che le lame non colpiscano gli oggetti.
- Non utilizzare il prodotto sugli oggetti. Fermarsi ed esaminare il prodotto e il piatto di taglio se si falcia o si urta un oggetto. Se necessario, effettuare riparazioni prima di riavviare il prodotto.

Abbigliamento protettivo personale



AVVERTENZA: Leggere le seguenti avvertenze prima di utilizzare il prodotto.

- Usare sempre abbigliamento protettivo personale omologato quando si utilizza il prodotto. L'uso di abbigliamento protettivo personale non elimina il rischio di lesioni, ma ne riduce la gravità in caso di incidente. Farsi consigliare dal rivenditore per la scelta dell'attrezzatura adatta.
- Usare sempre cuffie protettive omologate. Una lunga esposizione al rumore può comportare lesioni permanenti all'udito.
- Indossare sempre scarpe o stivali protettivi. Si raccomanda l'uso di punte in acciaio. Non utilizzare il prodotto a piedi nudi.



- Indossare i guanti quando è necessario, per esempio durante il collegamento, l'ispezione o la pulizia dell'attrezzatura di taglio.
- Non indossare abbigliamento non aderente, gioielli o altri oggetti che potrebbero impigliarsi nelle parti in movimento.

- Tenere a portata di mano il kit di primo soccorso o un estintore.

Dispositivi di sicurezza sul prodotto



AVVERTENZA: Leggere le seguenti avvertenze prima di utilizzare il prodotto.

- Non utilizzare un prodotto con dispositivi di sicurezza difettosi. Effettuare un controllo dei dispositivi di sicurezza con regolarità. Se i dispositivi di sicurezza sono difettosi, rivolgersi alla propria officina Husqvarna.
- Non apportare modifiche ai dispositivi di sicurezza. Non utilizzare il prodotto se le piastre di protezione, le coperture, gli interruttori di sicurezza o altri dispositivi di protezione non sono collegati o sono difettosi.

Per effettuare un controllo del blocco accensione

- Avviare e arrestare il motore per effettuare un controllo del blocco di accensione. Vedere *Per avviare il motore alla pagina 108* e *Per arrestare il motore alla pagina 109*.
- Assicurarsi che il motore si avvii quando si posiziona la chiave su START.
- Assicurarsi che il motore si arresti quando si posiziona la chiave su STOP.

Condizioni di avvio

Queste condizioni sono necessarie per avviare il motore:

- Il piatto di taglio è sollevato e il freno di stazionamento è inserito.

Il motore deve arrestarsi nelle seguenti condizioni:

- Il piatto di taglio è abbassato e l'operatore si alza dal sedile.
- Il piatto di taglio è sollevato, il freno di stazionamento non è azionato e l'operatore si alza dal sedile.

Provare ad avviare il motore senza una delle condizioni. Cambiare condizione e riprovare. Effettuare questo controllo quotidianamente.

Controllare il pedale di marcia avanti e quello di retromarcia

1. Accertarsi che i pedali di marcia avanti e retromarcia non siano bloccati e che possano essere azionati liberamente.
2. Rilasciare il pedale di avanzamento per frenare.
3. Assicurarsi che il prodotto freni quando viene rilasciato il pedale di avanzamento.
4. Per una maggiore potenza di frenata, premere il pedale di retromarcia.
5. Eseguire la stessa procedura per il pedale di retromarcia.

Freno di stazionamento



AVVERTENZA: Se il freno di stazionamento non funziona, il prodotto può iniziare a muoversi e causare lesioni o danni. Assicurarsi che il freno di stazionamento venga controllato e regolato periodicamente.

Fare riferimento a *Per effettuare un controllo del freno di stazionamento alla pagina 113.*

Marmitta

La marmitta assicura il minimo livello acustico e allontana i fumi di scarico dall'operatore.

Non utilizzare il prodotto se la marmitta è mancante o difettosa. Una marmitta difettosa aumenta il livello acustico e il rischio di incendio.



AVVERTENZA: La marmitta si surriscalda durante e dopo l'uso e quando il motore funziona al regime minimo. Prestare attenzione in prossimità di materiali infiammabili e/o fumi per evitare incendi.

Controllo della marmitta

- Esaminare la marmitta periodicamente per assicurarsi che sia collegata correttamente e che non sia danneggiata.

Coperture protettive

Coperture protettive mancanti o danneggiate aumentano il rischio di lesioni sulle parti in movimento e sulle superfici calde. Controllare le condizioni delle coperture protettive prima di utilizzare il prodotto. Assicurarsi che le coperture protettive siano collegate correttamente e non presentino crepe o altri danni. Sostituire le coperture danneggiate.

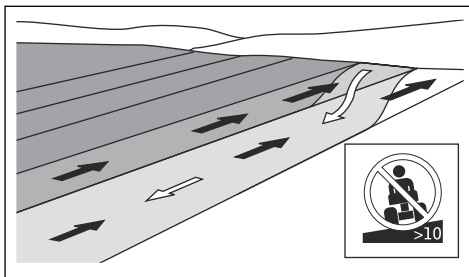
Per tagliare l'erba su pendenze



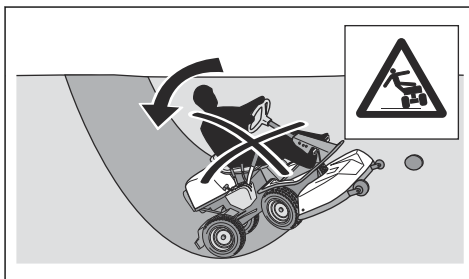
AVVERTENZA: Leggere le seguenti avvertenze prima di utilizzare il prodotto.

- La falciatura dell'erba su terreni in pendenza aumenta il rischio di perdita di controllo e di ribaltamento del prodotto. Ciò può causare lesioni anche mortali. È necessario falciare l'erba con cautela su qualsiasi terreno in pendenza. Se non è possibile effettuare la retromarcia su un terreno in pendenza o se ci si sente insicuri, non effettuare la falciatura.
- Rimuovere pietre, rami o altri ostacoli.
- Eseguire il taglio guidando parallelamente alla direzione di inclinazione del piano, non lateralmente.
- Non spostarsi su un pendio con il piatto di taglio sollevato.

- Non utilizzare il prodotto su terreni con pendenze superiori a 10°.



- Non avviare o arrestare il prodotto su terreni in pendenza.
- Spostarsi gradualmente e lentamente su terreni in pendenza.
- Non effettuare bruschi cambiamenti di velocità o di direzione di marcia.
- Non effettuare più svolte del necessario. Girare lentamente e gradualmente quando ci si sposta su un pendio. Viaggiare a bassa velocità. Girare la ruota con cautela.
- Evitare di attraversare solchi, buche e dossi. Vi è un rischio più elevato che il prodotto si ribalti su un terreno non piano. L'erba alta può nascondere eventuali ostacoli.
- Non tagliare in prossimità di bordi, fossi o argini. Il prodotto può ribaltarsi improvvisamente se una ruota si muove oltre il bordo di una pendenza ripida o un fosso, o se un bordo cede. Se il prodotto cade in acqua sussiste il rischio di annegare.



- Non tagliare l'erba bagnata. È scivolosa e gli pneumatici possono perdere aderenza facendo slittare il prodotto.
- Non appoggiare il piede a terra per tentare di rendere il prodotto più stabile.
- Spostarsi con molta attenzione nel caso in cui un accessorio o un qualsiasi altro oggetto si sia impigliato, rendendo il prodotto meno stabile.
- Per aumentare la stabilità, fissare i pesi delle ruote. Rivolgersi al rivenditore per maggiori informazioni.

Sicurezza durante l'uso del carburante



AVVERTENZA: Prestare attenzione al carburante. Il carburante è estremamente infiammabile e può provocare lesioni e danni.



AVVERTENZA: Leggere le seguenti avvertenze prima di utilizzare il prodotto.

- Non riempire il serbatoio del carburante in ambienti chiusi.
- La benzina e i vapori della benzina sono tossici e molto infiammabili. Prestare la massima attenzione alla benzina per evitare lesioni o incendi.
- Non rimuovere il tappo del carburante, né rabboccare il serbatoio del carburante a motore acceso.
- Lasciare che il motore si raffreddi prima di effettuare il rifornimento.
- Non fumare durante il rifornimento del carburante.
- Non effettuare il rifornimento vicino a scintille o fiamme libere.
- In caso di perdite del sistema di alimentazione, non avviare il motore fino a quando le perdite non sono state riparate.
- Non effettuare il rifornimento oltre il livello raccomandato. Il calore del motore e del sole fa espandere il carburante, il quale fuoriesce se il serbatoio si è riempito troppo.
- Non riempire il serbatoio in eccesso. Se si versa del carburante sul prodotto, asciugare con un panno e attendere che sia evaporato prima di avviare il motore. Se lo si versa sugli indumenti, cambiarli.
- Conservare il carburante solo in contenitori omologati.
- Riporre il prodotto e il carburante in modo che non vi sia alcun rischio che eventuali perdite di carburante o fumi possono causare danni.
- Versare il carburante in un contenitore adatto, all'aperto e lontano da fiamme libere.

Sicurezza batterie



AVVERTENZA: Una batteria danneggiata può esplodere e causare lesioni. Se la batteria presenta una deformazione o è danneggiata, rivolgersi a un'officina autorizzata Husqvarna.



AVVERTENZA: Leggere le seguenti avvertenze prima di utilizzare il prodotto.

- Utilizzare occhiali protettivi quando si è in prossimità delle batterie.

- Non indossare orologi, gioielli o altri oggetti metallici nelle vicinanze della batteria.
- Tenere la batteria fuori dalla portata dei bambini.
- Caricare la batteria in un luogo con buon ricambio d'aria.
- Tenere i materiali infiammabili a una distanza minima di 1 m quando si carica la batteria.
- Smettere le batterie sostituite. Vedere *Smaltimento alla pagina 123*.
- Gas esplosivi possono fuoriuscire dalla batteria. Non fumare in prossimità della batteria. Tenere la batteria lontano da fiamme libere e scintille.

Istruzioni di sicurezza per la manutenzione



AVVERTENZA: Il prodotto ha un peso elevato e può causare lesioni o danni alle cose o alla zona adiacente. Non eseguire la manutenzione del motore o del piatto di taglio senza che queste condizioni vengano soddisfatte:

- Il motore è spento.
- Il prodotto è parcheggiato su una superficie piana.
- Il freno di stazionamento è azionato.
- La chiave di accensione è stata rimossa.
- Il piatto di taglio è disinserito.
- I cavi di accensione sono stati rimossi dalle candele.



AVVERTENZA: I fumi di scarico del motore contengono monossido di carbonio, un gas inodore, velenoso e altamente pericoloso. Non utilizzare il prodotto in spazi chiusi o senza un flusso d'aria sufficiente.



AVVERTENZA: Leggere le seguenti avvertenze prima di utilizzare il prodotto.

- Per garantire le migliori prestazioni e la sicurezza, effettuare la manutenzione del prodotto a intervalli regolari come indicato nel programma di manutenzione. Vedere *Programma di manutenzione alla pagina 110*.
- Le scosse elettriche possono causare lesioni. Non toccare i cavi quando il motore è acceso. Non effettuare una prova di funzionamento dell'impianto di accensione con le dita.
- Non avviare il motore se i coperchi protettivi sono stati rimossi. Vi è un alto rischio di lesioni provocate da parti calde o in movimento.
- Attendere che il prodotto si raffreddi prima di eseguire la manutenzione vicino al motore.

- Le lame sono affilate e possono causare tagli. Posizionare paraventi attorno alle lame o usare guanti protettivi quando si lavora su di esse.
- Mettere sempre il piatto di taglio in posizione di manutenzione per pulirlo. Non parcheggiare il prodotto vicino al bordo di un fosso o in pendenza per accedere al piatto di taglio.



ATTENZIONE: Leggere le seguenti istruzioni prima di utilizzare il prodotto.

- Non ribaltare il motore se la candela o il cavo di accensione è stato rimosso.

- Assicurarsi che tutti i dadi e i bulloni siano serrati correttamente e che l'attrezzatura sia in buone condizioni.
- Non modificare la regolazione dei limitatori. Se il regime del motore è troppo alto, i componenti del prodotto possono danneggiarsi. Vedere *Technical data alla pagina 124* per informazioni sul regime motore massimo consentito.
- Il prodotto è testato e approvato solo con l'attrezzatura in dotazione o raccomandata dal produttore.

Montaggio

Introduzione

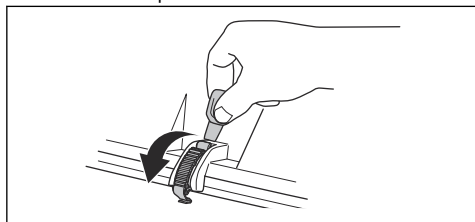


AVVERTENZA: La molla di tensionamento della cinghia della trasmissione può rompersi e causare lesioni. Indossare occhiali protettivi quando si collega o rimuove il piatto di taglio.

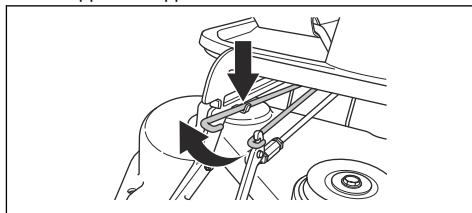
Leggere attentamente le istruzioni di montaggio del manuale d'uso. Un'etichetta sul lato interno della copertura anteriore del prodotto mostra inoltre come collegare e rimuovere il piatto di taglio.

Per rimuovere e fissare il piatto di taglio

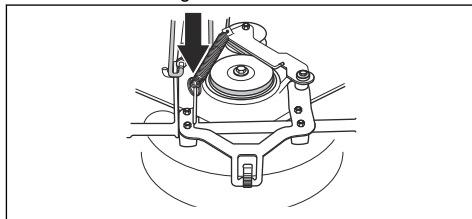
1. Parcheggiare il prodotto su un terreno piano.
2. Azionare il freno di stazionamento.
3. Portare la leva dell'altezza di taglio nella posizione di servizio.
4. Rilasciare il fermo sul coperchio anteriore con l'utensile fissato sulla chiave di accensione e rimuovere il coperchio.



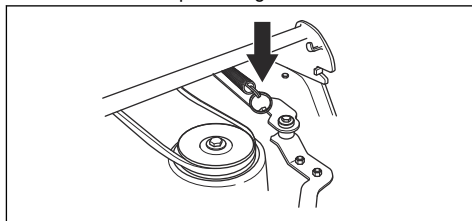
5. Sollevare il sostegno dell'altezza di taglio e metterlo nell'apposito supporto.



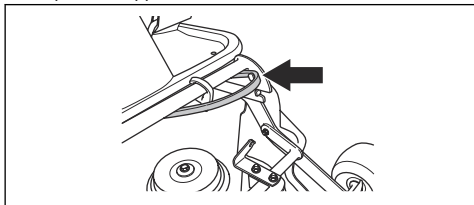
6. Tirare l'occhiello della molla per allentare la molla di tensione della cinghia di trasmissione.



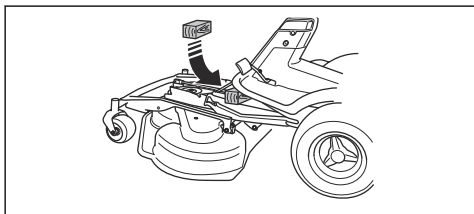
7. Posizionare l'occhiello della molla sul supporto sul braccio tenditore per la cinghia di trasmissione.



8. Rimuovere la cinghia di trasmissione e inserirla nel rispettivo supporto.

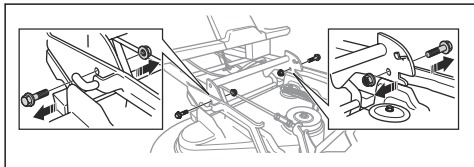


9. Collocare un blocco di legno tra la struttura dell'apparecchiatura e il telaio. In questo modo, il piatto di taglio non torna indietro al momento del distacco.

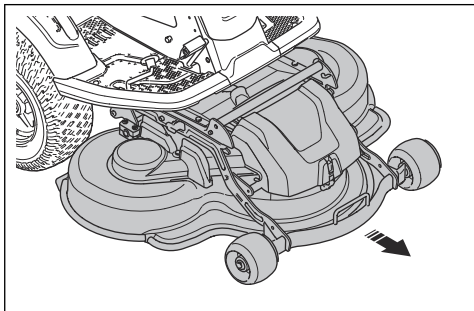


AVVERTENZA: Prestare molta attenzione. Rischio di lesioni se la mano viene intrappolata tra la struttura dell'attrezzatura e il telaio.

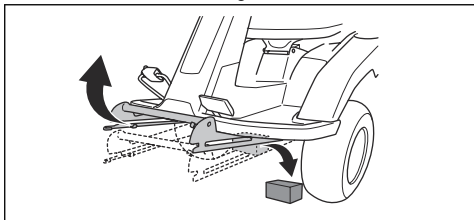
10. Rimuovere le 2 viti sulla struttura dell'attrezzatura.



11. Afferrare il bordo anteriore del piatto di taglio con entrambe le mani e tirare estraendolo.



12. Rimuovere il blocco di legno.



13. Montare il piatto di taglio eseguendo le operazioni in sequenza opposta.

Utilizzo

Introduzione



AVVERTENZA: Prima di utilizzare il prodotto, è necessario leggere e comprendere il capitolo relativo alla sicurezza.

Primo utilizzo Husqvarna Connect

1. Scaricare l'app Husqvarna Connect sul proprio dispositivo mobile.
2. Registrarsi nell'app Husqvarna Connect.
3. Attenersi alle istruzioni dell'app Husqvarna Connect per collegare e registrare il prodotto.

Per il rifornimento del carburante



AVVERTENZA: La benzina è altamente infiammabile. Prestare attenzione e fare rifornimento all'aperto, fare riferimento a *Sicurezza durante l'uso del carburante alla pagina 104*.



AVVERTENZA: Non utilizzare il serbatoio del carburante come superficie di appoggio.



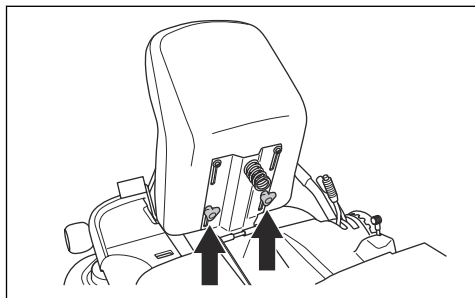
ATTENZIONE: Un carburante di tipo errato può causare danni al motore.

Il motore funziona con benzina con un numero di ottano minimo di 91 RON (87 AKI), non mescolata con olio. Si raccomanda benzina alchilata biodegradabile. Non usare benzina contenente più del 10% di etanolo.

- Effettuare un controllo del livello del carburante prima di ogni utilizzo e rabboccare se necessario.
- Non riempire completamente il serbatoio del carburante. Lasciare uno spazio di almeno 2,5 cm.

Per regolare il sedile

Il sedile può essere inclinato in avanti. Inoltre, può essere regolato in lunghezza. Allentare le leve sotto il sedile e regolarlo in avanti o indietro.

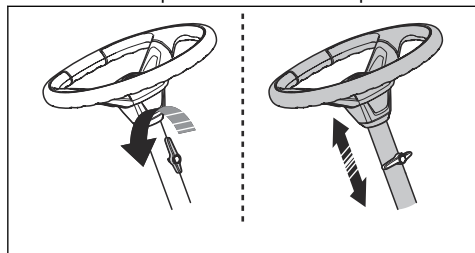


Per regolare l'altezza del volante



AVVERTENZA: Non regolare l'altezza del volante con il prodotto in funzione.

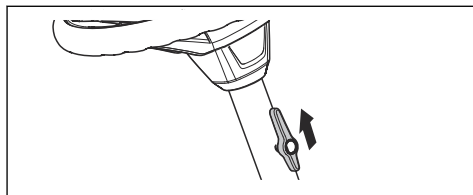
1. Girare la manopola in senso antiorario per allentarla.



2. Regolare l'altezza del volante.
3. Girare la manopola in senso orario per serrarla.



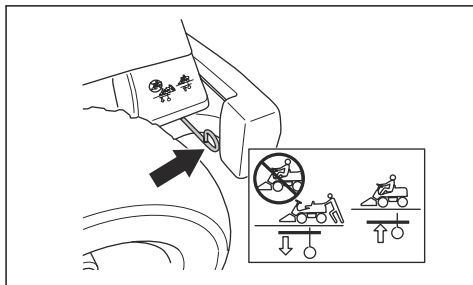
ATTENZIONE: Assicurarsi che l'estremità più lunga della manopola sia rivolta verso l'alto.



Per inserire e disinserire il sistema di trasmissione

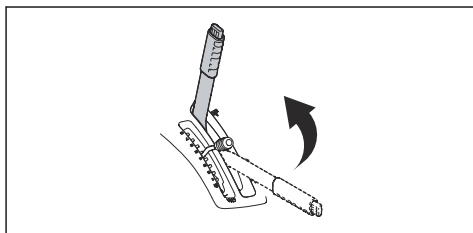
Per spostare il prodotto con il motore spento, il sistema di trasmissione deve essere disinserito. Estrarre completamente la leva del sistema di trasmissione per disinserire la trasmissione sull'assale. Premere completamente la leva del sistema di trasmissione per inserire la trasmissione sull'assale. Non utilizzare le posizioni intermedie.

La leva del sistema di trasmissione si trova dietro la ruota posteriore sinistra.



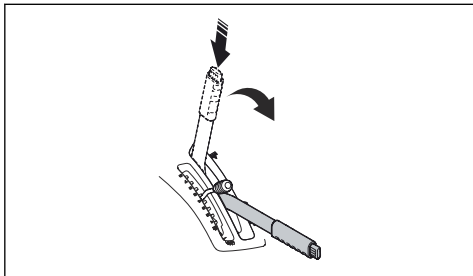
Per sollevare e abbassare il piatto di taglio

Per sollevare il piatto di taglio in posizione di trasporto, tirare la leva di sollevamento all'indietro. Se il motore è acceso, le lame smettono di ruotare automaticamente.



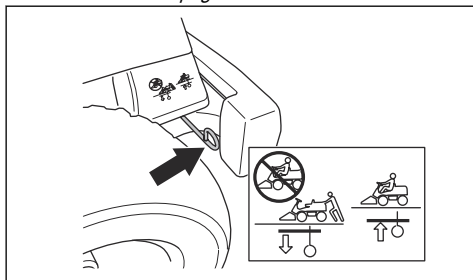
Per abbassare il piatto di taglio in posizione di taglio, premere il pulsante di bloccaggio e spostare la leva di

sollevamento in avanti. Se il motore è in moto, le lame iniziano a ruotare automaticamente.

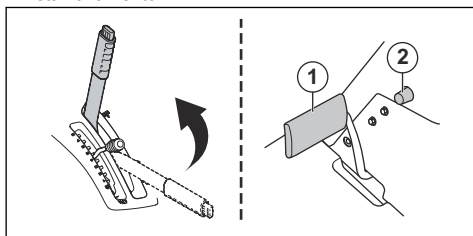


Per avviare il motore

1. Assicurarsi che il sistema di trasmissione sia inserito, vedere *Per inserire e disinserire il sistema di trasmissione alla pagina 107*.

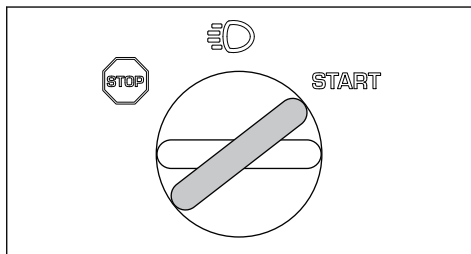


2. Sollevare il piatto di taglio e azionare il freno di stazionamento.



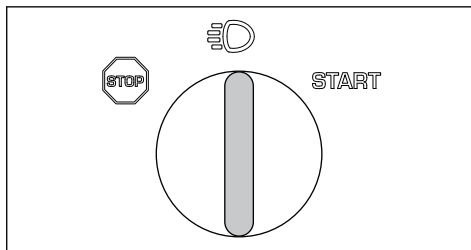
3. Girare la chiave d'accensione nella posizione di avviamento.

4. All'avviamento del motore, rilasciare immediatamente la chiave e riportarla in posizione folle.

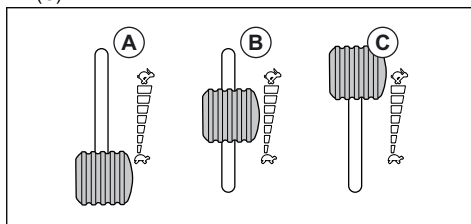


Nota: Non far girare il motorino di avviamento per più di 5 secondi ogni volta. Se il motore non si avvia, attendere 15 secondi prima di riprovare.

5. Ruotare la chiave nella posizione delle luci per accendere i fari.



6. Far girare il motore a regime intermedio (B) per 3-5 minuti prima di applicare carichi pesanti.
7. Premere il comando dell'acceleratore al massimo (C).

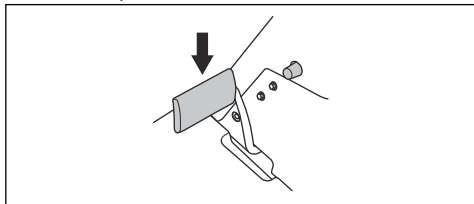


Nota: L'innesto delle lame quando il motore è a velocità massima provoca uno sforzo sulle cinghie di trasmissione. Non accelerare al massimo fino a quando il piatto di taglio non è stato abbassato in posizione di falciatura.

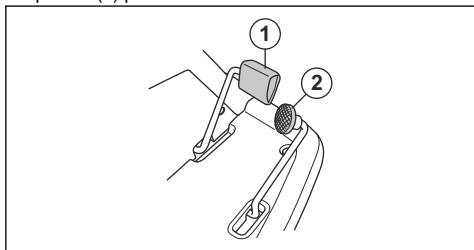
Per utilizzare il prodotto

1. Avviare il motore.

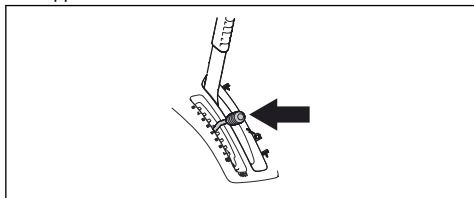
2. Premere il pedale del freno di stazionamento, quindi rilasciarlo per rilasciare il freno di stazionamento.



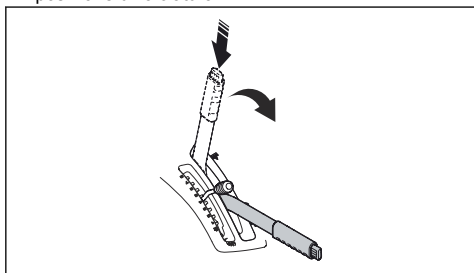
3. Premere delicatamente uno dei pedali di marcia. La velocità aumenta quanto più a fondo viene premuto il pedale. Usare il pedale (1) per la marcia avanti e il pedale (2) per la retromarcia.



4. Rilasciare il pedale del freno.
5. Selezionare l'altezza di taglio (1-10) utilizzando l'apposita leva.

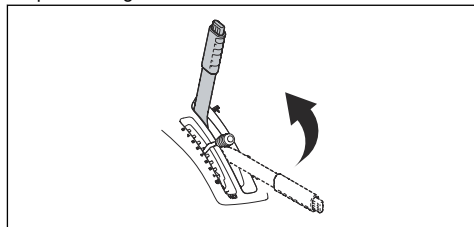


6. Premere il pulsante di bloccaggio sulla leva di sollevamento del piatto di taglio e abbassarlo in posizione di falciatura.

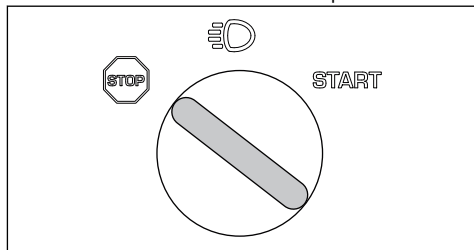


Per arrestare il motore

1. Tirare all'indietro la leva di sollevamento del piatto di taglio fino alla posizione di blocco per sollevare il piatto di taglio. Le lame smettono di ruotare.



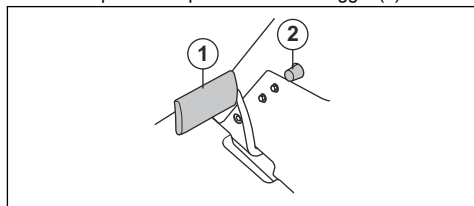
2. Girare la chiave d'accensione nella posizione STOP.



3. Quando il prodotto si arresta, applicare il freno di stazionamento.

Per innestare e disinnestare il freno di stazionamento

1. Premere il pedale del freno di stazionamento (1).
2. Tenere premuto il pulsante di bloccaggio (2).



3. Tenere premuto il pulsante e rilasciare il pedale del freno di stazionamento.
4. Per rilasciare il freno di stazionamento, premere nuovamente il pedale corrispondente.

Per ottenere un buon risultato di taglio

- Per garantire le migliori prestazioni, effettuare la manutenzione del prodotto a intervalli regolari come indicato nel programma di manutenzione. Fare riferimento a *Programma di manutenzione alla pagina 110*.
- Non tagliare il prato bagnato. L'erba bagnata può dare un cattivo risultato di taglio.
- Iniziare con un'altezza di taglio elevata e ridurla gradualmente.

- Tagliare con le lame in rotazione ad alta velocità (al regime motore massimo consentito, fare riferimento a *Technical data alla pagina 124*). Spostare in avanti il prodotto a bassa velocità. Se l'erba non è troppo alta e fitta, è possibile ottenere un buon risultato di taglio anche a una velocità maggiore.
- Tagliare l'erba seguendo un pattern irregolare.
- Per ottenere i migliori risultati di taglio, tagliare l'erba regolarmente e utilizzare la funzione Bioclip®.

Manutenzione

Introduzione



AVVERTENZA: Prima di eseguire qualsiasi lavoro di manutenzione, è necessario leggere e capire il capitolo relativo alla sicurezza.

X = le istruzioni sono riportate in questo manuale dell'operatore.

O = le istruzioni non sono riportate in questo manuale dell'operatore. Affidare la manutenzione a un'officina autorizzata.

Nota: Se nella tabella è indicato più di un intervallo, l'intervallo più breve è da intendere solo per la prima manutenzione.

Programma di manutenzione

* = manutenzione generale effettuata dall'operatore. Le istruzioni non sono riportate in questo manuale dell'operatore.

Manutenzione	Manutenzione giornaliera prima del funzionamento	Intervallo di manutenzione in ore		
		25	50	100
Assicurarsi che i dadi e le viti siano ben serrati	*			
Assicurarsi che non vi siano perdite di olio o carburante	*			
Pulire secondo quanto indicato in <i>Pulizia del prodotto alla pagina 111</i>	X			
Pulire la superficie interna del piatto di taglio, intorno alle lame	X			
Pulire l'area attorno alla marmitta	X			
Assicurarsi che la presa d'aria fredda del motore non sia ostruita	X			
Assicurarsi che i dispositivi di sicurezza non siano difettosi	X			
Esaminare ed eseguire una prova dei freni	*			
Controllo del livello dell'olio motore	X			
Effettuare un controllo del livello dell'olio della trasmissione	X			
Effettuare un controllo dei cavi dello sterzo	X			
Esaminare le lame nel piatto di taglio		X		
Pulire il piatto di taglio, sotto i coperchi della cinghia e sotto il piatto di taglio		X	X	
Assicurarsi che la pressione degli pneumatici sia corretta		X	X	
Effettuare un controllo del freno di stazionamento			X	
Sostituire l'olio motore			X	X
Sostituire il filtro dell'olio			X	X
Pulire il filtro dell'aria		X		

Manutenzione	Manutenzione giornaliera prima del funzionamento	Intervallo di manutenzione in ore		
		25	50	100
Sostituire il filtro dell'aria				X
Sostituire il filtro del carburante				X
Sostituire la candela				X
Effettuare un controllo del parallelismo del piatto di taglio		X	X	
Lubrificare il regolatore della cinghia.		X	X	
Lubrificare in base al programma di lubrificazione.		O	O	
Lubrificare tutti i giunti e gli alberi.		O	O	
Esaminare e regolare i cavi dello sterzo		O	O	
Esaminare la marmitta e il deflettore termico		O	O	
Esaminare il piatto di taglio per verificare la presenza di eventuali danni			O	
Regolare il freno di stazionamento.			O	
Effettuare il controllo e la regolazione del cavo dell'acceleratore			O	
Pulire le alette di raffreddamento di motore e trasmissione			O	
Pulire il motore e la trasmissione			O	O
Effettuare un controllo delle cinghie		O	O	
Effettuare un controllo della batteria	*		O	
Effettuare un controllo del tubo pescante. Sostituirlo se necessario				O
Sostituire l'olio nella trasmissione			O	O
Sostituire il filtro nella trasmissione			O	O

Pulizia del prodotto

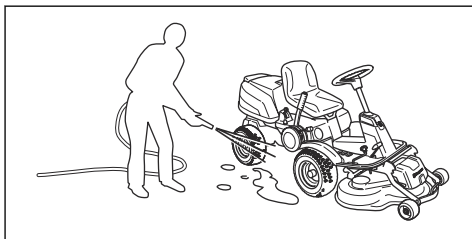


ATTENZIONE: Non utilizzare una lancia ad alta pressione o a vapore. L'acqua può entrare nei cuscinetti e nei collegamenti elettrici e causare una corrosione che può danneggiare il prodotto.

Pulire il prodotto subito dopo l'uso.

- Non pulire le superfici calde come il motore, la marmitta e il sistema di scarico. Attendere fino a quando le superfici sono fredde, quindi rimuovere l'erba o lo sporco.
- Prima di pulire con acqua, pulire con una spazzola. Rimuovere l'erba tagliata e lo sporco dall'area sopra e intorno alla trasmissione, la presa d'aria della trasmissione e il motore.
- Utilizzare acqua corrente e un tubo per pulire il prodotto. Non utilizzare alta pressione.

- Non puntare il getto d'acqua sui componenti elettrici o i cuscinetti. L'impiego di un detergente solitamente aumenta il danno.
- Per pulire il piatto di taglio, metterlo in posizione di servizio e lavarlo con un tubo dell'acqua.
- Quando il prodotto è pulito, avviare il piatto di taglio per un breve periodo di tempo per scaricare l'acqua residua.



Per pulire il motore e la marmitta

Mantenere il motore e la marmitta libera dall'erba tagliata e dallo sporco. L'erba tagliata immersa nell'olio o nel carburante sul motore può aumentare il rischio d'incendio e di surriscaldamento del motore. Lasciar raffreddare il motore prima di pulirlo. Pulire con acqua e una spazzola.

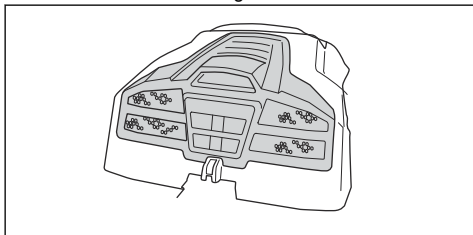
L'erba tagliata che si deposita intorno alla marmitta si secca velocemente e rappresenta un rischio d'incendio. Utilizzare una spazzola o rimuovere l'erba tagliata con l'acqua quando la marmitta è fredda.

To clean the cold air intake of the engine

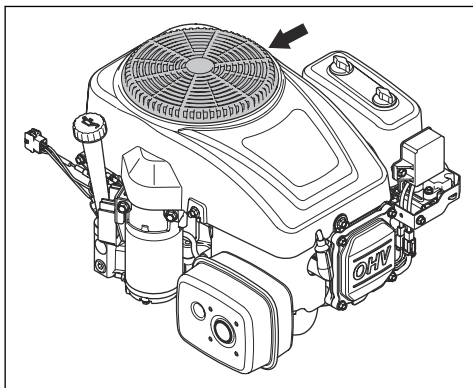


AVVERTENZA: Stop the engine. The cold air intake rotates and can cause injury to your fingers.

- Make sure that the intake grille on the engine cover is not blocked. Remove grass and dirt with a brush.



- Open the engine cover. Make sure that the engine cold air intake is not blocked. Remove grass and dirt with a brush.

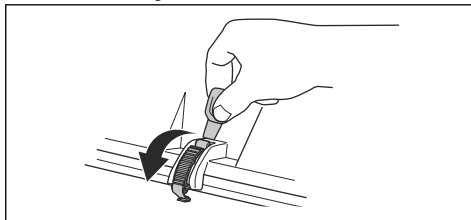


- Examine the air duct, found on the inner surface of the engine cover. Make sure that the air duct is clean and does not rub against the cold air intake.

Per rimuovere i coperchi

Per aprire il cofano motore

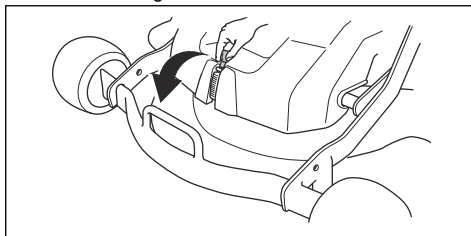
1. Ripiegare il sedile in avanti.
2. Rilasciare il fermo sul cofano del motore con l'attrezzo collegato alla chiave di accensione.



3. Piegarlo il cofano del motore all'indietro.

Per rimuovere il coperchio anteriore

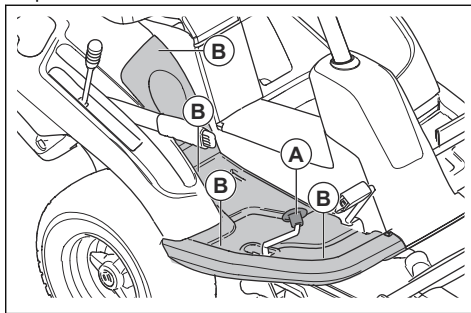
1. Rilasciare il fermo sul coperchio anteriore con l'attrezzo collegato alla chiave di accensione.



2. Sollevare il coperchio anteriore.

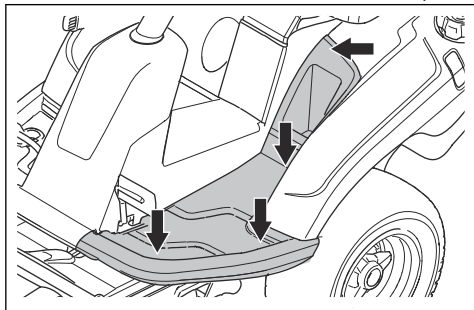
To remove the right footrest plate

1. Turn the knob on the reverse pedal (A) to remove it.
2. Remove the 4 screws (B) and remove the footrest plate.



To remove the left footrest plate

- Remove the 4 screws and remove the footrest plate.

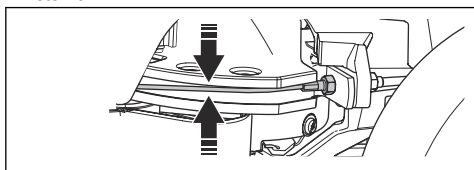


Per esaminare i cavi dello sterzo

La tensione dei cavi dello sterzo può diminuire dopo un certo periodo di tempo. Questo fa sì che la regolazione dello sterzo cambi.

Esaminare e regolare lo sterzo nel seguente modo:

1. I cavi dello sterzo sono serrati correttamente se è possibile spostarli manualmente di 5 mm verso l'alto o verso il basso nella scanalatura sul collarino dello sterzo.



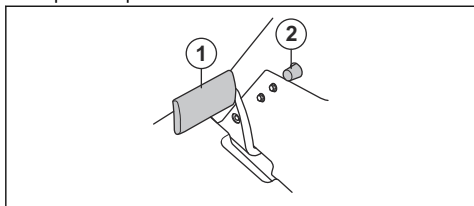
2. Se i cavi sono troppo lenti, affidarne la regolazione a un'officina autorizzata.

Per effettuare un controllo del freno di stazionamento

1. Parcheggiare il prodotto su una superficie dura in pendenza.

Nota: Non parcheggiare il prodotto su un prato in pendenza quando si esegue un controllo del freno di stazionamento.

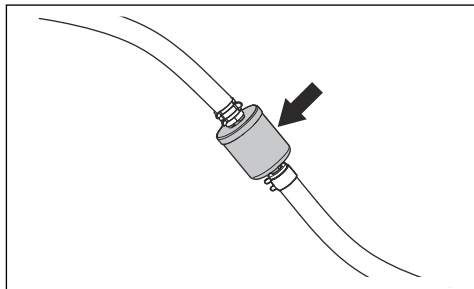
2. Premere il pedale del freno di stazionamento (1).
3. Tenere premuto il pulsante di bloccaggio (2) e rilasciare il pedale del freno di stazionamento mentre si preme il pulsante.



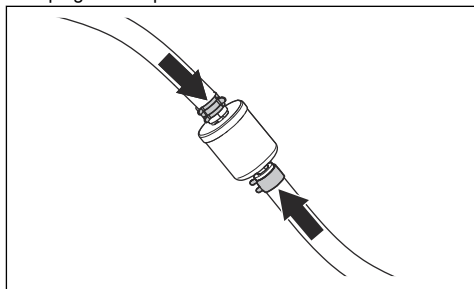
4. Se il prodotto inizia a muoversi, affidare la regolazione del freno di stazionamento a un'officina autorizzata.
5. Premere di nuovo il pedale del freno di stazionamento per rilasciarlo.

Sostituzione del filtro del carburante

1. Aprire il cofano del motore per accedere al filtro del carburante.
2. Comprimere il tubo del serbatoio del carburante per evitare perdite.
3. Spostare le clip tubo dal filtro del carburante con un paio di pinze.
4. Estrarre il filtro del carburante dalle estremità del tubo. Può fuoriuscire una piccola quantità di carburante.



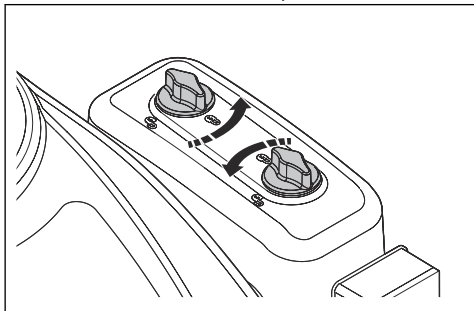
5. Spingere il nuovo filtro del carburante nelle estremità dei tubi. Applicare del detergente liquido sulle estremità del filtro del carburante per rendere più semplice il collegamento.
6. Spingere le clip tubo sul filtro del carburante.



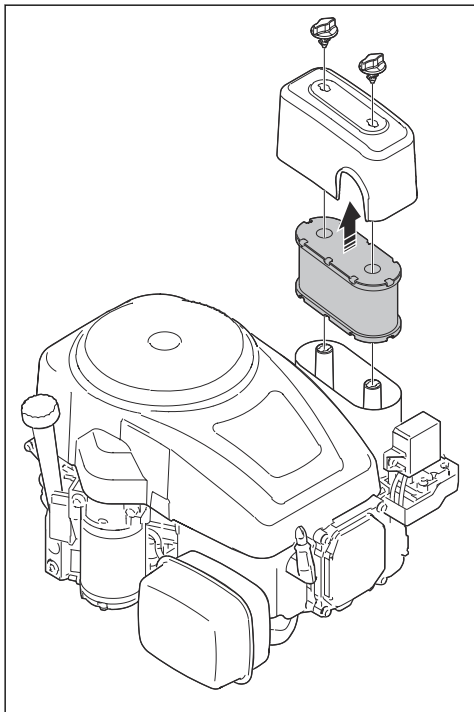
Sostituzione del filtro dell'aria

1. Aprire il cofano motore.

2. Allentare le manopole che fissano il coperchio del filtro dell'aria e rimuovere il coperchio.



3. Rimuovere la cartuccia del filtro dell'aria dalla relativa sede.

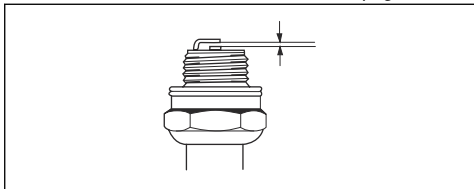


4. Montare, seguendo i passaggi nell'ordine inverso.

Ispezione e sostituzione della candela

1. Aprire il cofano motore.
2. Rimuovere lo zoccolo del cavo di accensione e pulire la zona circostante la candela.
3. Rimuovere la candela con una chiave per candele.

4. Esaminare la candela. Sostituirla se gli elettrodi sono bruciati o se l'isolamento presenta crepe o altri danni. Se la candela non è danneggiata, è necessario pulirla con una spazzola di acciaio.
5. Misurare la distanza tra gli elettrodi e assicurarsi che sia corretta. Vedere *Technical data alla pagina 124*.



6. Piegare l'elettrodo laterale per regolare la distanza tra gli elettrodi.
7. Inserire nuovamente la candela e ruotarla manualmente finché non tocca la sede della candela.
8. Stringere la candela con la chiave per candele fino a quando la rondella non è compressa.
9. Serrare una candela usata con $\frac{1}{8}$ di giro in più e una nuova candela con $\frac{1}{4}$ di giro in più.



ATTENZIONE: Le candele non serrate correttamente possono provocare danni al motore.

10. Sostituire lo zoccolo del cavo di accensione.

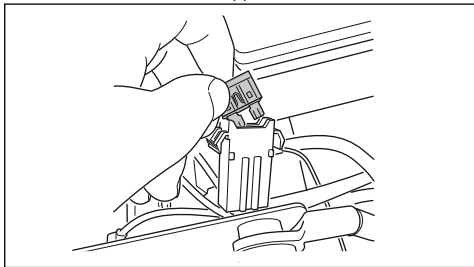


ATTENZIONE: Non tentare di avviare il motore se la candela o il cavo di accensione è stato rimosso.

Per sostituire il fusibile principale

Un fusibile bruciato si riconosce da un connettore bruciato.

1. Aprire il cofano del motore. Il fusibile principale si trova in un supporto nella parte anteriore della batteria.
2. Estrarre il fusibile dal supporto.



3. Sostituire il fusibile bruciato con un nuovo fusibile dello stesso tipo, pin piatto da 15 A.
4. Riposizionare le coperture.

Se il fusibile principale si brucia di nuovo dopo un breve periodo dalla sostituzione, è presente un corto circuito. Riparare il cortocircuito prima di utilizzare nuovamente il prodotto. Chiedere aiuto a un'officina autorizzata.

Per caricare la batteria

- Ricaricare la batteria se è troppo scarica per avviare il motore.
- Utilizzare un caricabatterie standard.



ATTENZIONE: Non usare un caricabatterie rapido o l'avviamento di emergenza. Ciò può causare danni all'impianto elettrico del prodotto.

- Scollegare sempre il caricabatteria prima di avviare il motore.

Per eseguire un avvio di emergenza del motore

Se la batteria è troppo scarica per avviare il motore, è possibile utilizzare dei cavi di avviamento per effettuare un avviamento di emergenza. Questo prodotto dispone di un sistema da 12 V con messa a terra negativa. Il prodotto che viene utilizzato per l'avviamento di emergenza dovrà altresì disporre di un sistema da 12 V con messa a terra negativa.

Per collegare i cavi di avviamento



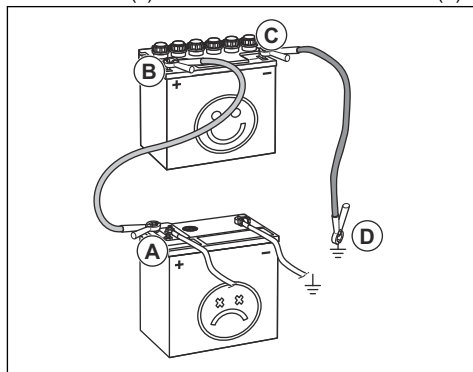
AVVERTENZA: Rischio di esplosione a causa di gas esplosivo che fuoriesce dalla batteria. Non collegare il morsetto negativo della batteria completamente carica al morsetto negativo della batteria scarica o in prossimità di quest'ultimo.



ATTENZIONE: Non utilizzare la batteria del prodotto per avviare altri veicoli.

1. Rimuovere il cofano del motore.
2. Rimuovere il coperchio del vano batteria.

3. Collegare un'estremità del cavo rosso al morsetto POSITIVO (+) della batteria alla batteria scarica (A).



4. Collegare l'altra estremità del cavo rosso al morsetto POSITIVO (+) della batteria completamente carica (B).



AVVERTENZA: Non mettere in corto circuito le estremità del cavo rosso sul telaio.

5. Collegare un'estremità del cavo nero al terminale NEGATIVO (-) della batteria completamente carica (C).
6. Collegare l'altra estremità del cavo nero a un PUNTO DI MASSA SUL TELAIO (D), lontano dal serbatoio del carburante e dalla batteria.
7. Riposizionare le coperture.

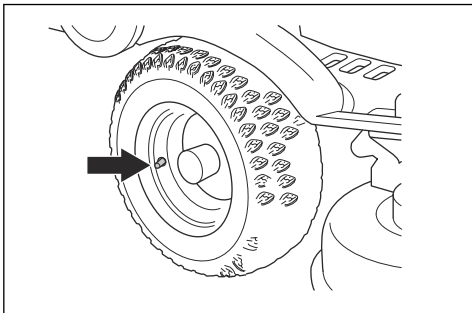
Per rimuovere i cavi di avviamento

Nota: Rimuovere i cavi di avviamento nella sequenza opposta rispetto alla modalità di collegamento.

1. Rimuovere il cavo NERO dal telaio.
2. Rimuovere il cavo NERO dalla batteria completamente carica.
3. Rimuovere il cavo ROSSO dalle 2 batterie.

Pressioni degli pneumatici

La pressione degli pneumatici corretta è di 60 kPa (0,6 bar / 8,5 PSI) su tutti e 4 gli pneumatici.

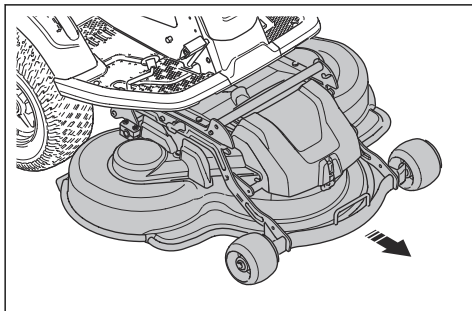


Per mettere il piatto di taglio in posizione di servizio

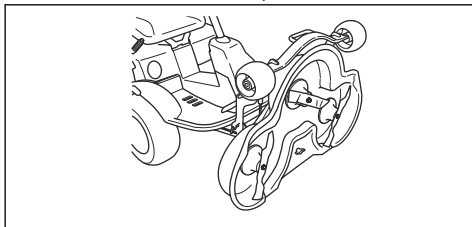


AVVERTENZA: La molla di tensione della cinghia di trasmissione può rompersi e causare lesioni. Utilizzare occhiali protettivi.

1. Attenersi alle fasi 1-9 in *Per rimuovere e fissare il piatto di taglio alla pagina 105*.
2. Afferrare il bordo anteriore del piatto di taglio con entrambe le mani e tirare in fuori fino all'arresto.

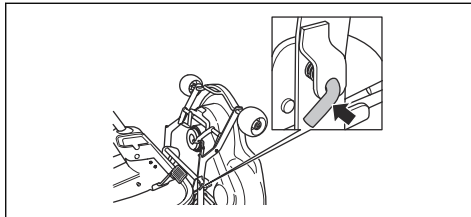


3. Sollevare il piatto di taglio in posizione verticale fino a quando non si avverte un clic. Il piatto di taglio si blocca automaticamente in posizione verticale.

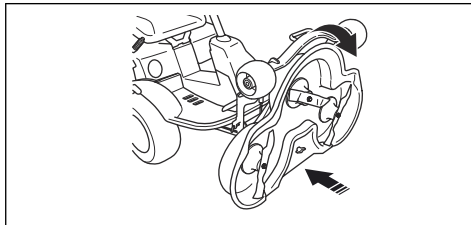


Per mettere il piatto di taglio in posizione di falciatura

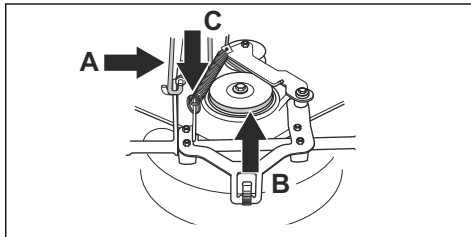
1. Afferrare il bordo anteriore del piatto di taglio con la mano sinistra.
2. Allentare il blocco con la mano destra.



3. Piegarlo il piatto di taglio e premere fino alla battuta.



4. Sollevare il sostegno dell'altezza di taglio (A) dal supporto e inserirlo nel foro.



5. Inserire in posizione la cinghia di trasmissione (B).

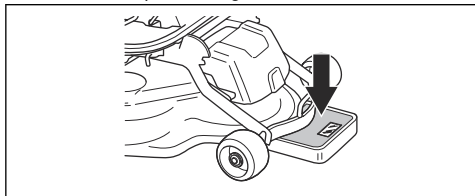
Nota: Le informazioni sulla posizione della cinghia di trasmissione si trovano sulla superficie interna del coperchio del piatto di taglio.

6. Inserire nuovamente in posizione la molla a tensione (C) per applicare tensione sulla cinghia di trasmissione.
7. Collegare il coperchio anteriore.
8. Spostare la leva dell'altezza di taglio dalla posizione di servizio a una delle posizioni con un numero.

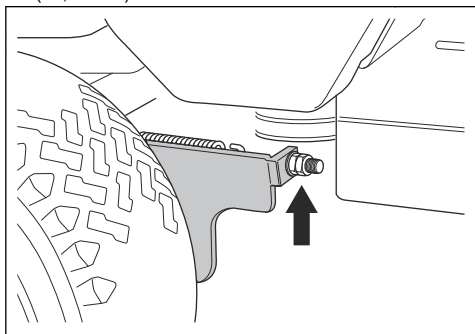
Per esaminare e regolare la pressione al suolo dal piatto di taglio

Una pressione al suolo corretta fa sì che il piatto di taglio si sposti lungo la superficie, senza premervi contro.

1. Assicurarsi che la pressione dell'aria negli pneumatici sia di 60 kPa (0,6 bar, 9,0 PSI).
2. Parcheggiare il prodotto su una superficie piana.
3. Abbassare il piatto di taglio fino alla posizione di falciatura.
4. Mettere una bilancia pesapersona sotto il bordo anteriore del piatto di taglio.



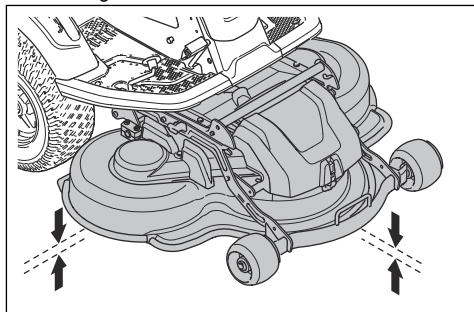
5. Per accertarsi che non vi sia alcun peso applicato sulle ruote di supporto, inserire un blocco di legno tra la struttura e la bilancia pesapersona.
6. Per regolare la pressione sul terreno, ruotare le viti di regolazione dietro le ruote anteriori sui lati destro e sinistro.
7. Ruotare le viti a destra o sinistra fino a quando la pressione sul terreno non è compresa tra 12 e 15 Kg (26,5-33 lb).



To do a check of the parallelism of the cutting deck

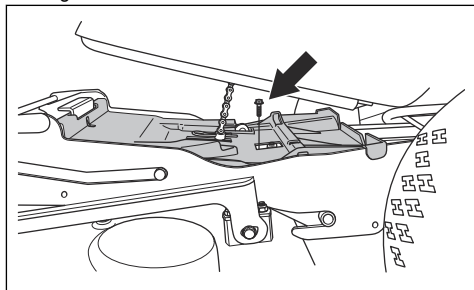
1. Make sure that the air pressure in the tires is correct. Refer to *Pressioni degli pneumatici alla pagina 116*.
2. Park the product on a level surface.
3. Lower the cutting deck to mow position.
4. Set the cutting height lever to the middle position.

5. Measure the distance between the ground and the front and rear edges of the cutting deck. Make sure that the rear edge is 2–4 mm (1/8") higher than the front edge.

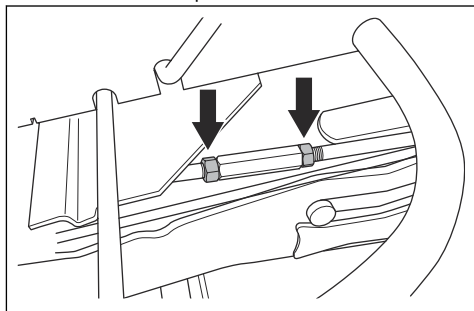


Per regolare il parallelismo del piatto di taglio

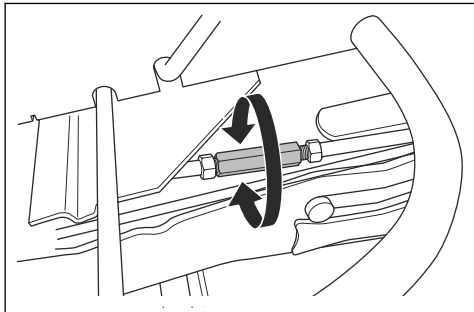
1. Rimuovere il coperchio anteriore e la piastra poggiapiedi destra.
2. Rimuovere le viti che fissano la protezione della cinghia e rimuoverla.



3. Allentare i dadi dei pistoncini.



- Girare il pistoncino per estendere o ridurre il sostegno. Estendere il sostegno per sollevare il bordo posteriore del coperchio. Ridurre il sostegno per abbassare il bordo posteriore del coperchio.



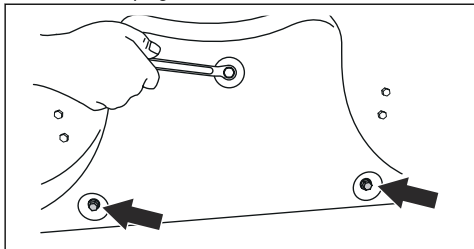
- Serrare i dadi del pistoncino a regolazione terminata.
- Eseguire un controllo del parallelismo. Vedere *To do a check of the parallelism of the cutting deck alla pagina 117*.
- Montare il proteggicinghia e serrare le viti.
- Montare la piastra poggia piedi destra e il coperchio anteriore.

Per rimuovere il tappo BioClip

- Rimuovere il tappo BioClip per modificare un piatto di taglio Combi da BioClip a scarico posteriore dell'erba.

To remove and install the BioClip plug on the cutting deck

- Put the cutting deck in servicing position. Refer to *Per mettere il piatto di taglio in posizione di servizio alla pagina 116*.
- Remove the 3 screws that hold the BioClip plug and remove the plug.



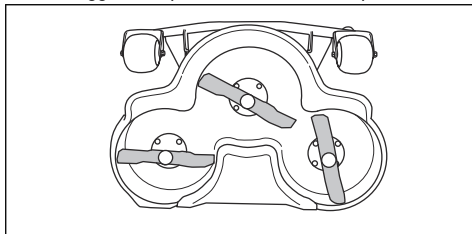
- Attach 1 M8x15 mm screws in the top screw hole for the BioClip plug to prevent damage to the threads.
- Put the cutting deck in the mow position.
- Install the BioClip plug in the opposite sequence.

Per esaminare le lame



ATTENZIONE: Lame danneggiate o bilanciate in modo errato possono causare danni al prodotto. Sostituire le lame danneggiate. Affidare a un'officina autorizzata l'affilatura e il bilanciamento delle lame.

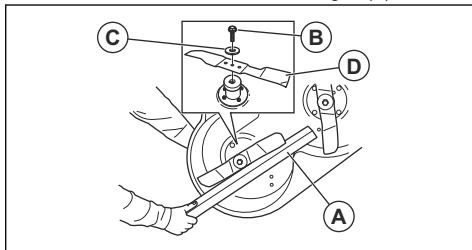
- Mettere il piatto di taglio in posizione di servizio.
- Esaminare le lame per verificare se sono danneggiate e, qualora sia necessario, per affilarle.



- Serrare i bulloni delle lame a una coppia di 45–50 Nm.

Per sostituire le lame

- Mettere il piatto di taglio in posizione di servizio.
- Bloccare la lama con un cuneo di legno (A).



- Allentare e rimuovere il bullone della lama (B), le rondelle (C) e la lama (D).
- Montare la nuova lama con le estremità ad angolo nella direzione del piatto di taglio.



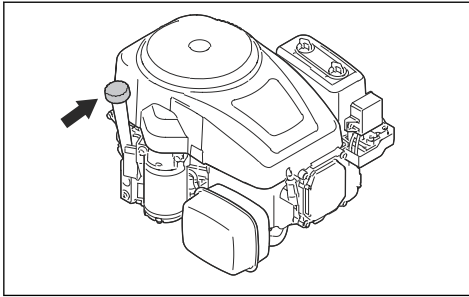
AVVERTENZA: Un tipo di lama errato può causare l'espulsione di oggetti dal piatto di taglio e lesioni gravi. Utilizzare solo le lame indicate in *Technical data alla pagina 124*

- Fissare la lama, la rondella e il bullone. Serrare il bullone a una coppia di 45–50 Nm.

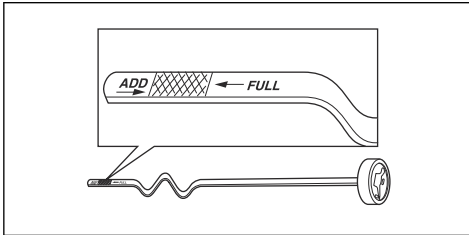
To do a check of the engine oil level

- Park the product on level ground and stop the engine.
- Open the engine cover.

3. Loosen the dipstick and pull it out.



4. Clean the oil from the dipstick.
5. Put the dipstick back in and tighten it.
6. Loosen and pull the dipstick out and read the oil level.
7. The oil level must be between the marks on the dipstick. If the level is near the ADD mark, fill oil to the FULL mark.



8. Fill the oil through the hole that the dipstick sits in. Fill the oil slowly.

Nota: Refer to *Technical data alla pagina 124* for the types of engine oil that we recommend. Do not mix different types of oil.

9. Tighten the dipstick correctly before you start the engine. Start and idle the engine for approximately 30 seconds. Stop the engine. Wait 30 seconds and do a check of the oil level again.

Per sostituire l'olio motore e il filtro dell'olio

Se il motore è freddo, avviare il motore per 1-2 minuti prima di scaricare l'olio motore. Ciò comporta il riscaldamento dell'olio motore, semplificando lo scarico.

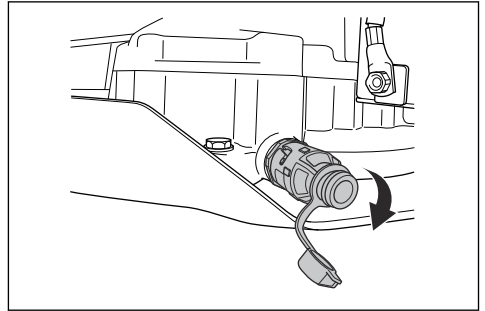


AVVERTENZA: Non avviare il motore per più di 1-2 minuti prima di scaricare l'olio motore. L'olio motore diventa molto caldo e può causare ustioni. Lasciare che il motore si raffreddi prima di scaricare l'olio motore.

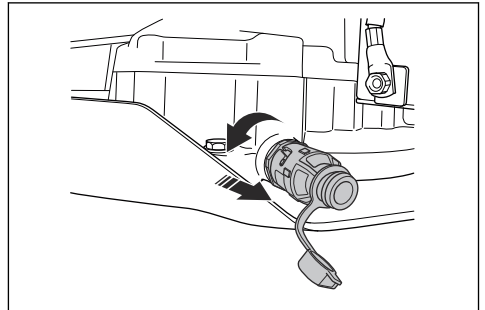


AVVERTENZA: Se si versa accidentalmente dell'olio motore sul proprio corpo, lavare con acqua e sapone.

1. Aprire il tappo di plastica sull'estremità del tappo di drenaggio dell'olio.

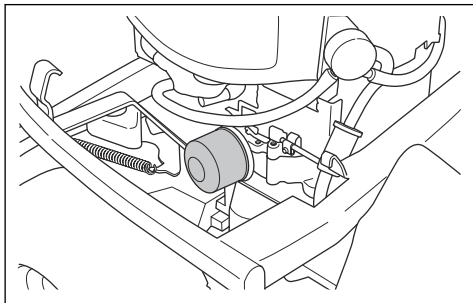


2. Per rendere lo scarico dell'olio più semplice e senza sversamenti, collegare ad esempio un tubo di plastica all'estremità del tappo di drenaggio dell'olio.
3. Collocare un contenitore sotto il tappo di drenaggio dell'olio.
4. Rimuovere l'asta di livello.
5. Ruotare il tappo di drenaggio dell'olio in senso antiorario e tirarlo verso l'esterno per aprirlo.



6. Far fuoriuscire l'olio nel contenitore.
7. Spingere il tappo di drenaggio dell'olio e ruotarlo in senso orario per chiuderlo.
8. Rimuovere il tubo di plastica e rimettere il tappo sul tappo di drenaggio dell'olio.

9. Ruotare il filtro dell'olio in senso antiorario per rimuoverlo.



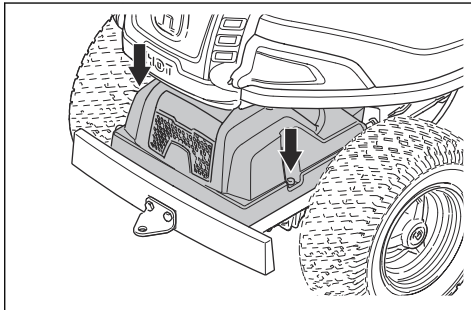
10. Lubrificare leggermente la guarnizione in gomma sul nuovo filtro dell'olio con olio nuovo.
11. Per fissare il filtro dell'olio, girarlo in senso orario a mano fino a quando la guarnizione in gomma non è in posizione, quindi serrare di un altro mezzo giro.
12. Riempire con olio nuovo come indicato in *Technical data* alla pagina 124
13. Avviare il motore e lasciarlo girare al minimo per 3 minuti.
14. Arrestare il motore e assicurarsi che il filtro dell'olio non presenti perdite.
15. Riempire di olio per compensare l'olio contenuto nel filtro dell'olio nuovo.

Nota: Per lo smaltimento sicuro dell'olio motore esausto, vedere *Smaltimento* alla pagina 123.

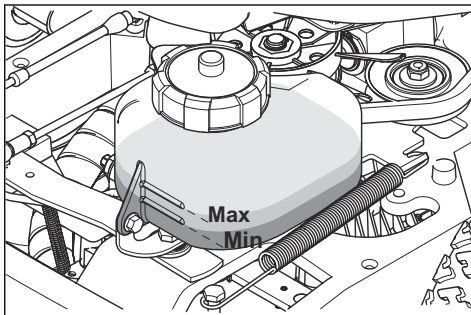
Per effettuare un controllo del livello dell'olio della trasmissione

Nota: Controllare l'olio della trasmissione quando la trasmissione è fredda.

1. Posizionare il prodotto su una superficie orizzontale.
2. Rimuovere le viti, una per ogni lato, e rimuovere il coperchio della trasmissione.



3. Accertarsi che il livello dell'olio nel serbatoio dell'olio di trasmissione sia compreso tra le due linee orizzontali sul serbatoio.



4. Rabboccare se il livello dell'olio è al di sotto della linea inferiore, ma non riempire oltre la linea superiore. Vedere *Technical data* alla pagina 124 per l'olio consigliato.

Ricerca guasti

Ricerca dei guasti

Se non si riesce a trovare la soluzione al problema in questo Manuale, rivolgersi alla propria officina autorizzata Husqvarna.

Problema	Causa
Il motorino di avviamento non fa girare il motore	Il freno di stazionamento non è inserito. Vedere <i>Per innestare e disinnestare il freno di stazionamento alla pagina 109.</i>
	La leva di sollevamento del piatto di taglio è in posizione di falciatura. Vedere <i>Condizioni di avvio alla pagina 102.</i>
	Il fusibile principale è bruciato. Vedere <i>Per sostituire il fusibile principale alla pagina 114.</i>
	Il blocco accensione è difettoso.
	Il collegamento tra il cavo e la batteria è difettoso. Vedere <i>Sicurezza batterie alla pagina 104.</i>
	La batteria è troppo debole. Vedere <i>Per caricare la batteria alla pagina 115.</i>
	Il motore di avviamento è difettoso.
Il motore non si avvia quando il motorino di avviamento gira il motore	Non è presente carburante nel serbatoio. Vedere <i>Per il rifornimento del carburante alla pagina 106.</i>
	La candela è difettosa.
	Il cavo di accensione è difettoso.
	È presente dello sporco nel carburatore o nel tubo del carburante.
Il motore non gira in modo regolare	La candela è difettosa.
	Il carburatore è impostato in modo errato.
	Il filtro dell'aria è ostruito. Vedere <i>Sostituzione del filtro dell'aria alla pagina 113.</i>
	Lo sfiato del serbatoio carburante è bloccato.
	È presente dello sporco nel carburatore o nel tubo del carburante.
Il motore apparentemente non è alimentato	Il filtro dell'aria è ostruito. Vedere <i>Sostituzione del filtro dell'aria alla pagina 113.</i>
	La candela è difettosa.
	È presente dello sporco nel carburatore o nel tubo del carburante.
	Il cavo dell'acceleratore è regolato in modo errato.
La trasmissione non dispone di sufficiente potenza	La presa d'aria fredda o le alette di raffreddamento della trasmissione sono bloccate.
	La ventola sulla trasmissione è danneggiata.
	Non c'è olio nella trasmissione o il livello dell'olio è troppo basso. Vedere <i>Per effettuare un controllo del livello dell'olio della trasmissione alla pagina 120.</i>
La batteria non si ricarica	La batteria è difettosa. Vedere <i>Sicurezza batterie alla pagina 104.</i>
	Il collegamento in corrispondenza dei connettori del cavo sui morsetti della batteria è difettoso. Vedere <i>Sicurezza batterie alla pagina 104.</i>
Si verificano vibrazioni nel prodotto	Le lame sono allentate. Vedere <i>Per esaminare le lame alla pagina 118.</i>
	Una o più lame sono sbilanciate. Vedere <i>Per esaminare le lame alla pagina 118.</i>
	Il motore è allentato.

Problema	Causa
Il risultato del taglio è insoddisfacente	Le lame non sono affilate. Vedere <i>Per esaminare le lame alla pagina 118.</i>
	L'erba è alta o bagnata. Vedere <i>Per ottenere un buon risultato di taglio alla pagina 109.</i>
	Il piatto di taglio è disallineato.
	C'è dell'erba bloccata nel piatto di taglio. Vedere <i>Pulizia del prodotto alla pagina 111.</i>
	La pressione degli pneumatici è diversa sui lati destro e sinistro. Vedere <i>Pressioni degli pneumatici alla pagina 116.</i>
	Il prodotto funziona a un regime troppo elevato. Vedere <i>Per ottenere un buon risultato di taglio alla pagina 109.</i>
	Il regime del motore è troppo basso. Vedere <i>Per ottenere un buon risultato di taglio alla pagina 109.</i>
	La cinghia di trasmissione slitta.

Trasporto, stoccaggio e smaltimento

Trasporto

- Il prodotto ha un peso elevato e può causare lesioni da schiacciamento. Prestare attenzione durante il caricamento su un veicolo o rimorchio o durante lo scaricamento.
- Utilizzare un rimorchio omologato per il trasporto del prodotto.
- Accertarsi di conoscere le norme sulla circolazione stradale prima del trasporto del prodotto in un rimorchio o su strada.

Per fissare il prodotto in modo sicuro a un rimorchio per il trasporto



AVVERTENZA: Il freno di stazionamento non è sufficiente per bloccare il prodotto durante il trasporto. Fissare saldamente il prodotto al rimorchio.

Attrezzatura: 2 cinghie di tensionamento approvate e 4 blocchi fermapruote a forma di cuneo.

1. Azionare il freno di stazionamento.
2. Fissare le cinghie di tensionamento intorno al telaio o al vagone posteriore.
3. Stringere le cinghie di tensionamento in direzione della parte posteriore e anteriore del rimorchio per fissare il prodotto.
4. Posizionare i fermapruote davanti e dietro alle ruote posteriori.

Per il traino del prodotto

Il prodotto è dotato di trasmissione idrostatica. Per evitare danni alla trasmissione, rimorchiare il prodotto solo per brevi distanze e a bassa velocità.

Disinnestare la trasmissione prima di trainare il prodotto. Vedere *Per inserire e disinserire il sistema di trasmissione alla pagina 107.*

Archiviazione

Preparare il prodotto per il rimessaggio al termine della stagione e in caso di inutilizzo per un periodo superiore a 30 giorni. Se si lascia il carburante all'interno del serbatoio del carburante per 30 giorni o più, le particelle appiccicose possono creare intasamenti nel carburatore. Ciò ha un effetto negativo sul funzionamento del motore.

Per evitare la formazione di particelle appiccicose durante il rimessaggio, aggiungere uno stabilizzatore. Se si utilizza benzina alchilata, lo stabilizzatore non è necessario. Se si utilizza benzina standard, non passare alla benzina alchilata. Ciò può causare l'indurimento dei componenti sensibili di gomma. Aggiungere lo stabilizzatore alla benzina nel serbatoio o nel contenitore utilizzato per lo stoccaggio. Utilizzare sempre i rapporti di miscelazione indicati dal produttore. Far girare il motore per almeno 10 minuti dopo aver aggiunto lo stabilizzatore fino a quando non scorre nel carburatore.



AVVERTENZA: Non conservare il prodotto con del carburante nel serbatoio in un luogo chiuso o in luoghi con scarsa circolazione d'aria. Se i vapori tossici

entrano a contatto con fiamme, scintille o fiamme pilota, come ad esempio in caldaie, serbatoi d'acqua calda e asciugatrici, sussiste il rischio di incendio.



AVVERTENZA: Rimuovere l'erba, le foglie e altri materiali infiammabili dal prodotto per ridurre il rischio di incendio. Lasciare che il prodotto si raffreddi prima del rimessaggio.

- Pulire il prodotto, vedere *Pulizia del prodotto alla pagina 111*. Ritoccare la vernice danneggiata per evitare la corrosione.
 - Esaminare il prodotto per verificare la presenza di parti usurate o danneggiate e serrare le viti e i dadi allentati.
 - Rimuovere la batteria. Pulirla, caricarla e conservarla in un luogo fresco durante il rimessaggio.
 - Cambiare l'olio motore e smaltire l'olio di scarico.
 - Svuotare il serbatoio del carburante. Avviare il motore e farlo girare fino a quando non si esaurisce tutto il carburante nel carburatore.
-

Nota: Non svuotare il serbatoio del carburante e il carburatore se si è aggiunto lo stabilizzatore.

- Rimuovere i tappi e versare circa un cucchiaino di olio motore in ogni cilindro. Ruotare manualmente l'albero motore per applicare uniformemente l'olio e riavvitare i tappi.
- Lubrificare tutti gli ingrassatori, i giunti e gli assali.
- Conservare il prodotto in un'area pulita e asciutta e coprirlo per una maggiore protezione.
- Un coperchio per proteggere il prodotto durante lo stoccaggio o il trasporto è disponibile presso il proprio rivenditore.

Smaltimento

- Le sostanze chimiche possono essere pericolose e non devono essere disperse nel suolo. Smaltire sempre le sostanze chimiche utilizzate presso un centro di assistenza o un centro di smaltimento autorizzato.
- Quando il prodotto è usurato, inviarlo al rivenditore o a un centro di riciclaggio autorizzato.
- Olio, filtri dell'olio, carburante e batteria possono contaminare l'ambiente. Rispettare le norme locali sul riciclaggio e le normative vigenti.
- Non smaltire la batteria come un rifiuto domestico.
- Inviare la batteria a un'officina Husqvarna o smaltirla in un centro specializzato nello smaltimento delle batterie usate.

Dati tecnici

Technical data

	R 214C
Dimensions	
Length without cutting deck, mm	1960
Width without cutting deck, mm	883
Length including cutting deck ¹⁶ , mm	2243
Width including cutting deck ¹ , mm	994
Height, mm	1120
Weight without cutting deck, with empty tank, kg	191
Weight including cutting deck ¹ , with empty tank, kg	228
Wheel base, mm	887
Track width, front, mm	712
Track width, rear, mm	627
Tire dimensions	16.5×6.0×8
Tire pressure, rear – front, kPa / bar / PSI	60 / 0.6 / 8.5
Max. gradient, degrees °	10
Engine	
Brand / Model	Husqvarna / HS 413AE
Nominal engine output, kW ¹⁷	8.4
Displacement, cm ³	413
Max. engine speed, rpm	3000 ± 100
Forward speed, km/h	0–9
Reverse speed, km/h	0–6
Fuel, min. octane grade	91
Tank volume, liters	12
Oil	Class SF, SG, SH or SJ SAE40, SAE30, SAE10W-30, SAE10W-40 or SAE5W-20
Oil volume incl. filter, liters	1.4
Oil volume excl. filter, liters	1.2
Start motor	Electric start 12V

¹⁶ Measured with cutting deck Combi 94

¹⁷ The power rating of the engine indicated is the average net output (at specified rpm) of a typical production engine for the engine model measured to SAE standard J1349/ISO1585. Mass production engines may differ from this value. Actual power output for the engine installed on the final product will depend on the operating speed, environmental conditions and other values.

	R 214C
Transmission	
Brand	Tuff Torq
Model	K46H
Oil, class SF-CC	SAE 10W/40
Electrical system	
Type	12V, negative grounded
Battery	12V, 24Ah
Spark plug	HQT-9
Electrode gap, mm/inch	0.75/0.030
Noise emissions¹⁸	
Sound power level, measured dB(A)	98
Sound power level, guaranteed dB(A)	99
Sound levels¹⁹	
Sound pressure level at the operators ear, dB(A)	84
Vibration levels²⁰	
Vibration level on the steering wheel, m/s ²	2.5
Vibration level in the seat, m/s ²	0.7
Cutting deck	
Type	Combi 94

Cutting deck	Combi 94
Cutting width, mm	940
Cutting height, 10 positions, mm	25-75
Weight, kg	37
Blade	
Blade length, mm	358
Article number	579 65 25-10

¹⁸ Noise emissions in the environment measured as sound power (L_{WA}) in conformity with EC directive 2000/14/EC.

¹⁹ Noise pressure level according to EN ISO 5395. Reported data for noise pressure level has a typical statistical dispersion (standard deviation) of 1.2 dB(A).

²⁰ Vibration level according to EN ISO 5395. Reported data for vibration level has a typical statistical dispersion (standard deviation) of 0.2 m/s² (steering wheel) and 0.8 m/s² (seat).



AVVERTENZA: To use a cutting deck that is not approved for the product can cause objects to eject at high speed and

cause serious injury. Do not use other cutting deck types than specified in this manual.

Control points	
Parallelism cutting deck with cutting height in position 1	2-4 mm / 0.079-0.157 in
Control of cutting height in position 1	25 ± 2 mm / 0.98 ± 0.079 in
Distance between support plate and drive belt	3-6 mm / 1/8 in - 1/4 in
Distance belt tensioner lever arm and belt guide, disengaged deck	17 ± 5 mm / 7/16 in ± 3/16 in

Play	
Brake cable	1 mm / 0.040 in
Cable for the hydrostatic transmission pedals	0 mm / 0 in

Assistenza

Assistenza

Eseguire un controllo annuale presso un centro di assistenza autorizzato per assicurarsi che il prodotto funzioni in modo sicuro e al meglio durante l'alta stagione. Il momento migliore per eseguire la manutenzione o la revisione del prodotto è la bassa stagione.

Quando si ordinano i ricambi, fornire le informazioni sull'anno di acquisto, il modello, il tipo e il numero di serie.

Utilizzare sempre ricambi originali.

Dichiarazione di conformità CE

EC Declaration of Conformity

Husqvarna AB, SE-561 82 Huskvarna, Sweden, tel: +46-36-146500, declares that the **ride-on lawn mower Husqvarna R 214C** from 2020's serial numbers and onwards (the year is clearly stated in plain text on the rating plate with subsequent serial number), comply with the requirements of the COUNCIL'S DIRECTIVE:

- of May 17, 2006 "relating to machinery" **2006/42/EC**
- of February 26, 2014 "relating to electromagnetic compatibility" **2014/30/EU**
- of June 8, 2011 "restriction of use of certain hazardous substances" **2011/65/EU** .
- of May 8, 2000 "relating to the noise emissions in the environment" **2000/14/EC**

Information regarding noise emissions and the mowing width, see Technical data.

The following harmonised standards have been applied:

EN ISO 5395-1:2013, EN ISO 5395-1:2013/A1:2018, EN ISO 5395-3:2013, EN ISO 5395-3:2013/A1:2017, EN ISO 5395-3:2013/A2:2018, EN ISO 14982:2009, EN ISO 12100:2010

If not otherwise stated, the above listed standards are the latest published versions.

Notified body: **0404, RISE SMP Svensk Maskinprovning AB, Box 7035, SE-750 07 Uppsala** has issued reports regarding the assessment of conformity according to annex VI of the COUNCIL'S DIRECTIVE of May 8, 2000 "relating to the noise emissions in the environment" 2000/14/EC.

Huskvarna, 2020-12-11



Claes Losdal, Development Manager/Garden Products
(Authorized representative for Husqvarna AB and responsible for technical documentation)



www.husqvarna.com

Original instructions
Instrucciones originales
Instruções originais
Istruzioni originali

1142577-50



2021-01-08